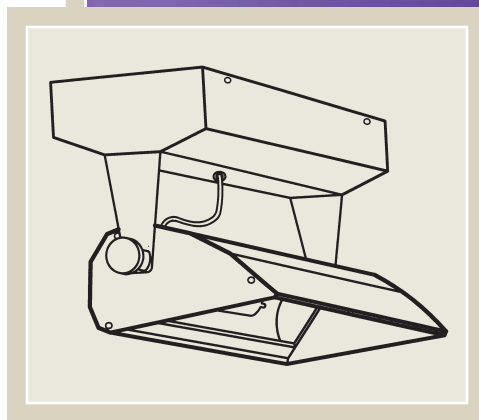
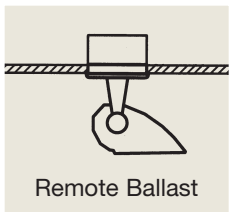
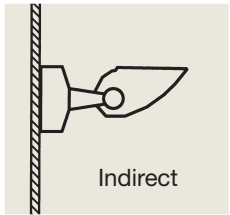


ELP

ENGINEERED LIGHTING
PRODUCTS

SURFACE/PENDENT Mount Wall Wash



Ideal placement is 24" to 36" from the front edge of fixture to the surface you are lighting, at 8' to 10' height.

System

Streamline wall wash fixtures that utilize metal halide, quartz and fluorescent lamps. Numerous mounting styles are available to provide wall wash or indirect lighting and may be ordered in fixed or adjustable models. Formed, high-purity aluminum reflectors provide even, unscaloped illumination.



AILERON EXTRUSIONS

A6 SERIES

TYPE:

SURFACE/PENDENT Mount Wall Wash

CATALOG #:

JOB:

Specifications

Surface mount extruded fixtures with an asymmetric wash of light for use with fluorescent, metal halide and tungsten halogen quartz lamps. All fluorescent fixtures are supplied standard with Luminaire Disconnect.

Continuous Mount – If fluorescent fixtures are being mounted in a continuous row, add “CC” to the catalog number and provide row configuration, i.e.: (18) 254T-5WW-A6-CS-CC for (6) 24’ rows.

Knock-outs will be provided between continuous fixtures for through wiring.

The fixture is extruded aluminum that is TGIC polyester powder coated. The one-piece, formed reflector is high-purity aluminum (99.9%) with 95% reflectance. Design provides unscaloped illumination. It is easily removable without tools.

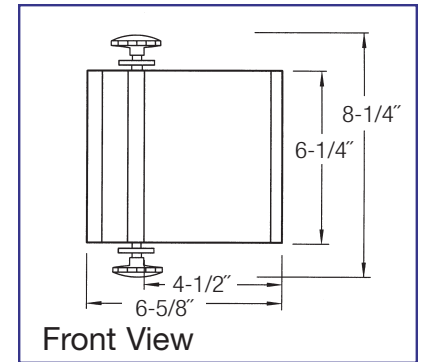
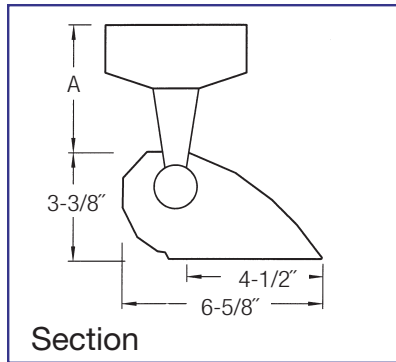
UL/CUL Damp Location listed.

U.S. Patent #5,142,459

Options

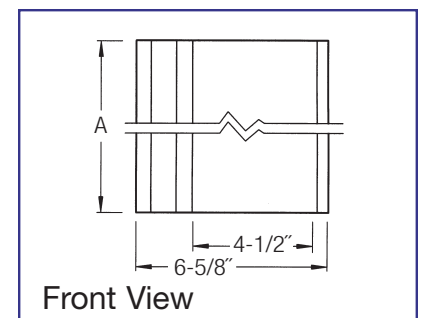
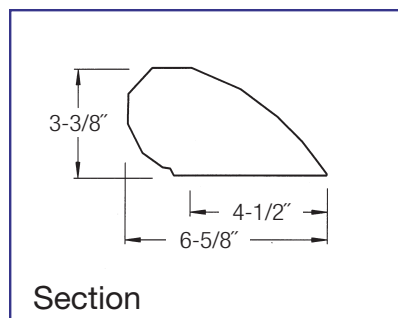
- Ballast 120 or 277 HPF Electronic (Standard)
Dimming (Some models) -DM
Emergency (Some models) -EPP
- Finish White (Standard)
Custom -Custom
- Reflector Diffuse Silver (Standard Fluorescent)
Stepped -ST (Standard Metal Halide)
White -W (Standard Halogen)
- Lens Clear Lexan Mini Lens -ML
(Fluorescent) Frosted Lexan Mini Lens -MLF
Clear Lexan Full Lens -FL
Frosted Lexan Full Lens -FLF
- Lens Clear Glass Mini Lens (Standard)
(Halogen & Metal Halide) Frosted Glass Mini Lens -ML-TGLF
Clear Glass Full Lens -FL-TGL
Frosted Glass Full Lens -FL-TGLF
- Louver Diffuse Silver Parallel Blade -LV
- Mounting **Must be Specified** –
See page IS-1M
(except Metal Halide)
Continuous Row (see above) -CC

Note: Standard T-5 lamps are available: 2’ fixtures, replace the “24” with “14” 3’ fixtures, replace the “39” with “21” 4’ & 8’ fixtures, replace the “54” with “28”



Metal Halide Lamps (not for use in dwellings)

Model No.	A	Lamp
139MHWW-A6-ST	5-1/4"	39 watt T-6 Metal Halide
170MHWW-A6-ST	5-1/4"	70 watt T-6 Metal Halide
1150MHWW-A6-ST	6"	150 watt T-6 Metal Halide



Quartz Halogen and Fluorescent Lamps (remote ballast only)

Model No.	A	Lamp
1250QHWW-A6-W*	8	75 to 250 watt Quartz Halogen Mini-can
140BXWW-A6*	24-1/4"	40 watt Biax
150BXWW-A6*	24-1/4"	50 watt Biax
155BXWW-A6*	24-1/4"	55 watt Biax
240BXWW-A6*	48-1/4"	(2) 40 watt Biax
250BXWW-A6*	48-1/4"	(2) 50 watt Biax
255BXWW-A6*	48-1/4"	(2) 55 watt Biax
440BXWW-A6*	96-1/2"	(4) 40 watt Biax
450BXWW-A6*	96-1/2"	(4) 50 watt Biax
455BXWW-A6*	96-1/2"	(4) 55 watt Biax
124 T-5WW-A6*	24-1/4"	24 watt T-5 HO
139 T-5WW-A6*	36-1/4"	39 watt T-5 HO
154 T-5WW-A6*	48-1/4"	54 watt T-5 HO
254 T-5WW-A6*	96-1/2"	(2) 54 watt T-5 HO
117 T-8WW-A6*	24-1/4"	17 watt T-8
125 T-8WW-A6*	36-1/4"	25 watt T-8
132 T-8WW-A6*	48-1/4"	32 watt T-8
232 T-8WW-A6*	96-1/2"	(2) 32 watt T-8

* Type of mounting must be specified.



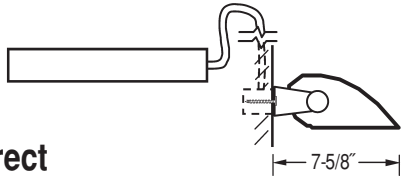
AILERON MOUNTING

HALOGEN & FLUORESCENT A6

Mounting must be specified.

YOKE – WALL MOUNT (Up to 4' length)

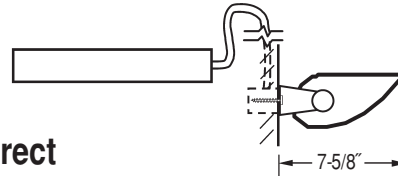
Direct & Indirect, yoke mounts directly to the wall structure using drywall bolts or screws (by others). Units mount over a horizontal single gang switchbox. Fluorescent units are provided with remote ballast box (wiring & whips by others). Remote distance varies and is dictated by ballast. Adjustable knobs allow versatile aiming.



Direct

Ordering: Add **-WY** to catalog number
Add **-WY-W** (White reflector if you want light splash on wall)

Sample: **117T-8WW-A6-WY**



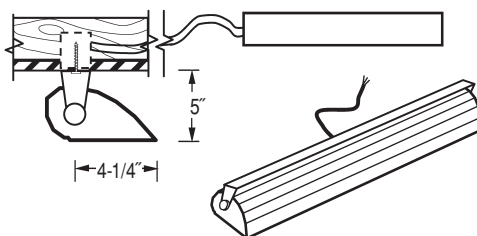
Indirect

Ordering: Add **-WYI** to catalog number
Add **-WYI-W** (White reflector if you want light splash on wall)

Sample: **117T-8WW-A6-WYI-W**

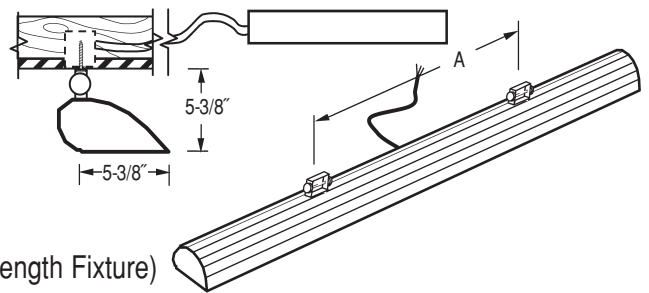
YOKE – CEILING MOUNT

Yoke mounts directly to the ceiling structure using drywall bolts or screws (by others). Fluorescent units are provided with remote ballast box (wiring & whips by others). Remote distance, varies and is dictated by ballast.



(Up to 4' Length Fixture)

Ordering: Add **-Y** to catalog number
Sample: **117T-8WW-A6-Y**

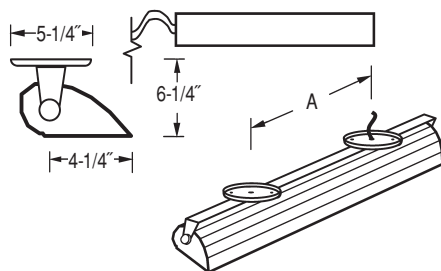


(8' Length Fixture)

Ordering: Add **-MY** to catalog number
Sample: **232T-8WW-A6-MY**

CANOPY YOKE MOUNT

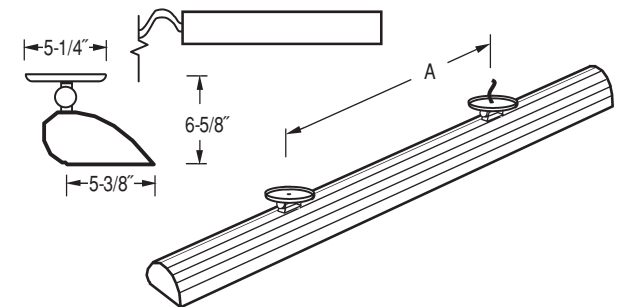
Supplied with hardware to mount directly to a J-Box. The 2', 3', 4' and 8' fixtures are supplied with two canopies. Fluorescent units are provided with remote ballast box (wiring & whips by others). Remote distance, varies and is dictated by ballast.



(Up to 4' Length Fixture)

Ordering: Add **-CY** to catalog number
Sample: **117T-8WW-A6-CY**

Fixture Length	A
2' Fixture	18"
3' Fixture	24"
4' Fixture	24"
8' Fixture	48"



(8' Length Fixture)

Ordering: Add **-CMY** to catalog number
Sample: **232T-8WW-A6-CMY**

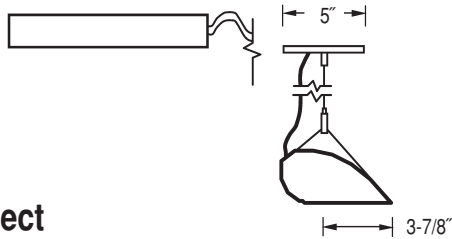
AILERON MOUNTING

HALOGEN, FLUORESCENT & METAL HALIDE A6

Mounting must be specified.

CANOPY CABLE MOUNT

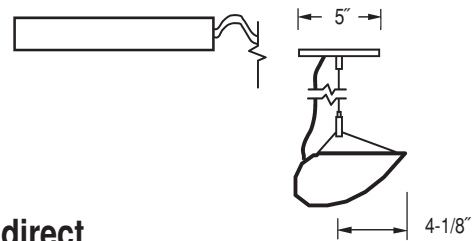
Supplied with hardware to mount directly to a J-Box. Cable is provided from 1' to 10' as required. Fluorescent units are provided with remote ballast box (wiring & whips by others). Remote distance varies and is dictated by ballast. Cable assembly is at each edge of the fixture.



Direct

Ordering: Add **-CCB** (cable length required)

Sample: 117T-8WW-A6-CCB2



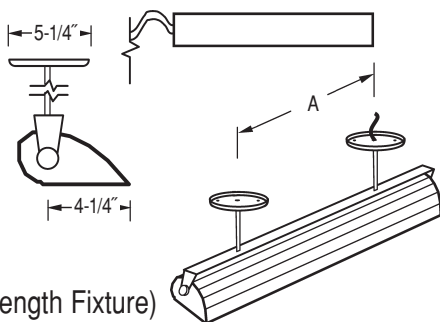
Indirect

Ordering: Add **-CCBI** (cable length required)

Sample: 232T-8WW-A6-CCBI2

CANOPY & STEM - Adjustable

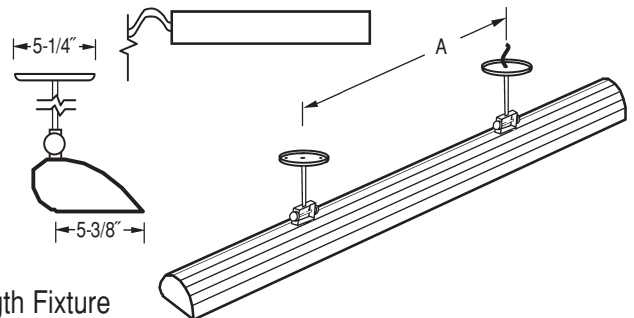
Supplied with hardware to mount directly to a J-Box. Stems provided from 1' to 10' as required. The 2', 3', 4' & 8' fixtures are provided with two. Fluorescent units are provided with remote ballast box (wiring & whips by others). Remote distance varies and is dictated by ballast. Adjustable knobs allow versatile aiming.



(Up to 4' Length Fixture)

Ordering: Add **-CSY** (stem length required)

Sample: 117T-8WW-A6-CSY2



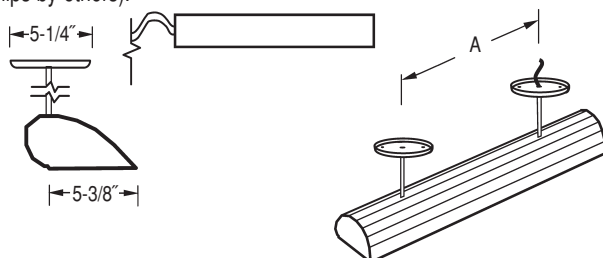
8' Length Fixture

Ordering: Add **-CSMY** (stem length required)

Sample: 232T-8WW-A6-CSMY2

CANOPY & STEM - Fixed

Supplied with hardware to mount directly to a J-Box. Stem mounts directly to the fixture, and there is no yoke or adjustability. Fluorescent units are provided with remote ballast box (wiring & whips by others).



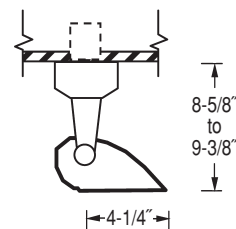
Ordering: Add **-CS** (stem length required)

Sample: 117T-8WW-A6-CS2

Metal Halide

NOT FOR USE IN DWELLINGS

Fixture mounts directly to a J-Box above the ballast compartment. (Standard Mounting)



Ordering: Sample: 170MHWW-A6