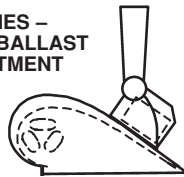




SY SERIES –
ATTACHED BALLAST
COMPARTMENT



A9 SERIES –
INTEGRAL BALLAST



INSTALLATION INSTRUCTIONS

A9 SERIES
SY SERIES
Surface Mount

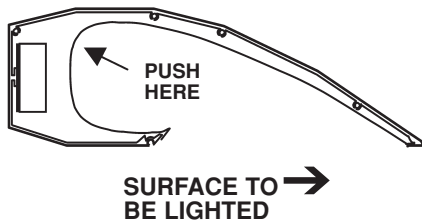
The ideal placement of these fixtures would be between 24" and 36" from the surface being lighted to the front edge of the fixture.

FOR SUPPLY CONNECTIONS ENTERING THIS
FIXTURE USE WIRE SUITABLE FOR AT LEAST 90° C

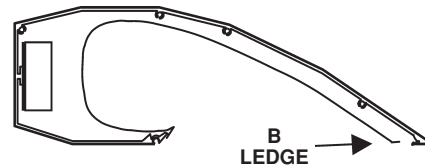
*** INSTALLATION TO BE DONE IN ACCORDANCE WITH NEC AND APPLICABLE CODES ***

ALUMINUM REFLECTOR CLEANING: Clean reflector with soap & water or alcohol, i.e. Isopropyl Alcohol or other neutral PH factor solvents. Cleaning material should be non-abrasive. **DO NOT** use Ammonia & alkali solutions.

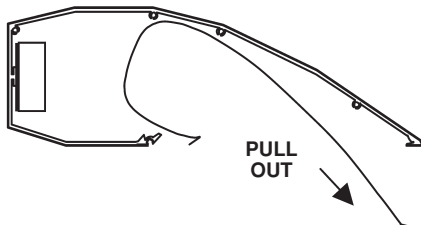
1. The A9 & SY Series reflectors are removed the same. To remove the reflector, push towards the housing on the lamp side with your hand.



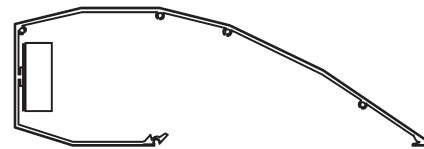
2. This will dislodge the opposite side of the reflector from the (B) ledge, so you can grab the reflector.



3. Carefully pull the reflector out from the dislodged side.



4. Now you have access to the ballast and wiring for A9. (SY has attached ballast box.)

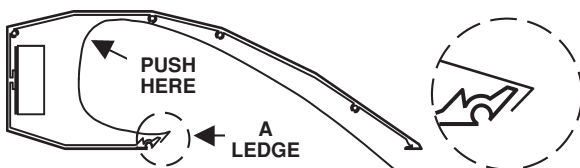


5. Secure the fixture. Some common mounting options are shown on the reverse of this page. Make electrical connections.

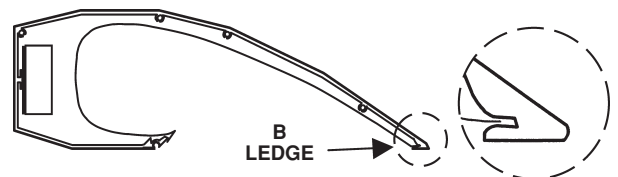
*** NOTE – DO NOT light the fixture until the protective peel has been removed from the reflector.**

**REPLACING THE REFLECTOR SHOULD BE THE LAST STEP AFTER ALL FINISH WORK
REMOVE THE PROTECTIVE PEEL AND REPLACE REFLECTOR.**

6. Place the lamp side of reflector on (A) ledge and squeeze reflector back into housing.



7. Push the reflector into (B) ledge. See detail.





INSTALLATION INSTRUCTIONS

A9 SERIES
SY SERIES

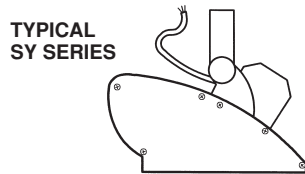
Common Surface Mount Options

The ideal placement of these fixtures would be between 24" to 36" from the surface being lighted to the front edge of the fixture.

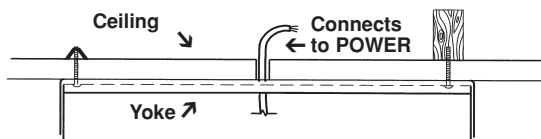
FOR SUPPLY CONNECTIONS ENTERING THIS FIXTURE USE WIRE SUITABLE FOR AT LEAST 90° C.

*** INSTALLATION TO BE DONE IN ACCORDANCE WITH NEC AND APPLICABLE CODES ***

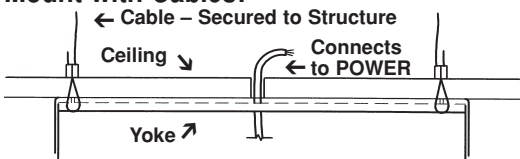
YOKE MOUNT (mount to structure):



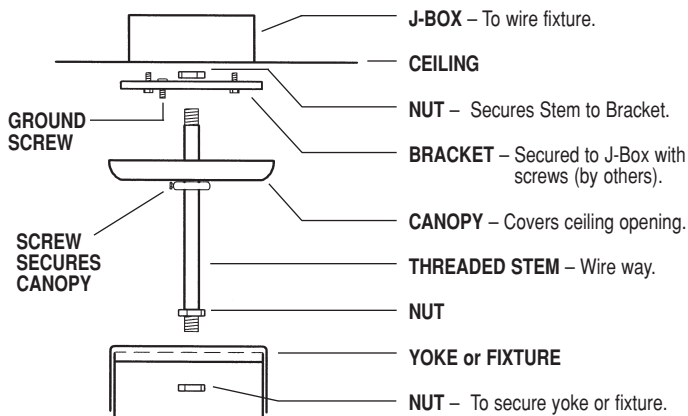
Mount with Screws:



Mount with Cables:



CANOPY MOUNT with STEM (mount to J-box):

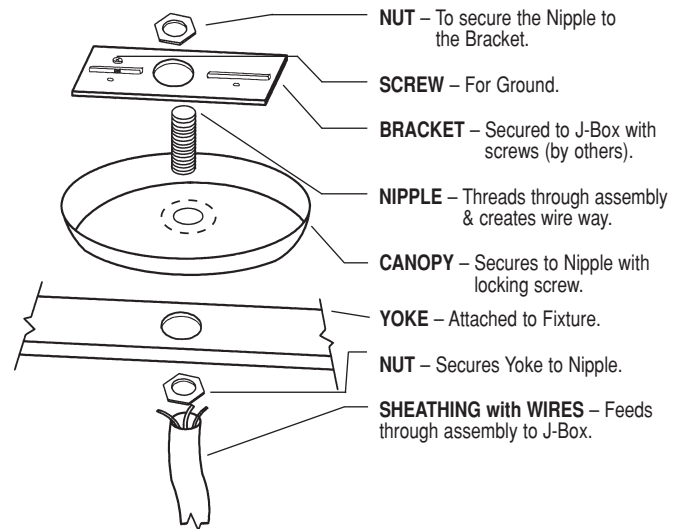


JOIN/ALIGN A9 FIXTURES IN A ROW:

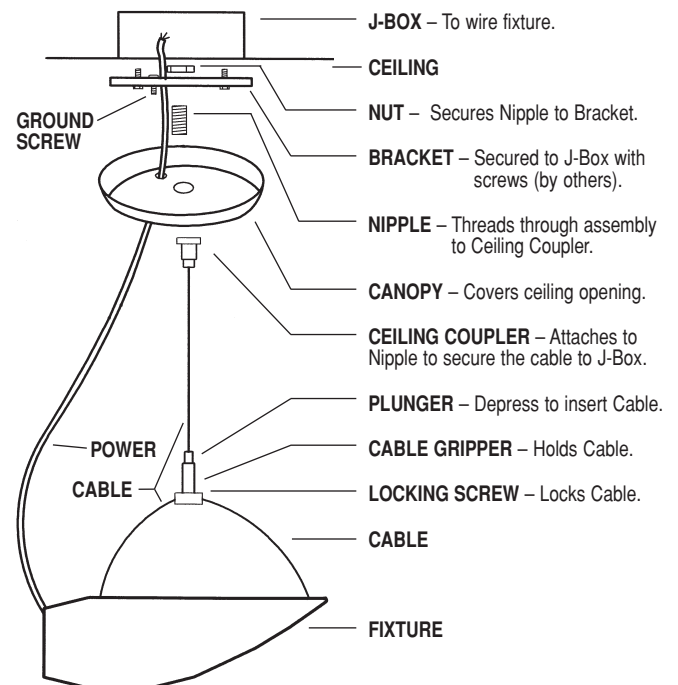
Install screw through the fixture end plates at the nose and tighten into the nut-sert in the adjoining fixture. Install threaded nipple into through-wiring hole in end plate and secure with nuts. (See SY Mounting for SY Joiner Brackets)



YOKE/CANOPY MOUNT (mount to J-box):



CANOPY MOUNT with CABLE (mount to J-box):





AILERON MOUNTING

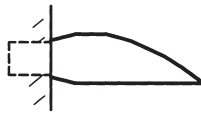
A9 SERIES

Mounting must be specified.



WALL MOUNT

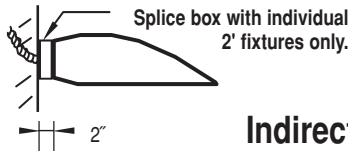
Direct & Indirect fixtures mount directly to a horizontal single gang switchbox. Square canopy adapter is available for mounting to a 4" x 4" junction box (add **-C4**). Only individual 2' fixtures are supplied with a mounting splice box.



Direct

Ordering: Add **-WD** to catalog number
Add **-WD-W** (White reflector if you want light splash on wall)

Sample: **240BXWW-A9-WD**



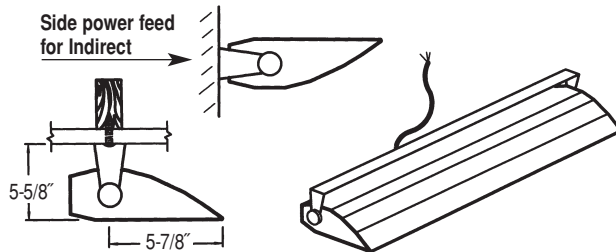
Indirect

Ordering: Add **-WI** to catalog number
Add **-WI-W** (White reflector if you want light splash on wall)

Sample: **440BXWW-A9-WI-W**

YOKE MOUNT

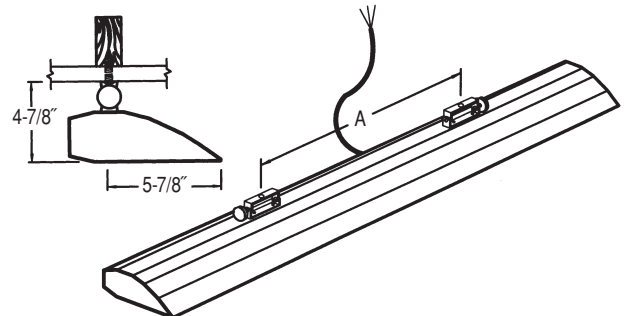
The yoke mounts directly to the ceiling or structure using drywall bolts or screws (by others). Adjustable knobs allow versatile aiming.



Yoke (Up to 4' Length Fixture)

Ordering: Add **-Y** to catalog number (**-YI** for Indirect)
Add **-Y-W** (White reflector if you want light splash on wall) (**-YI-W** for Indirect)

Sample: **240BXWW-A9-Y**



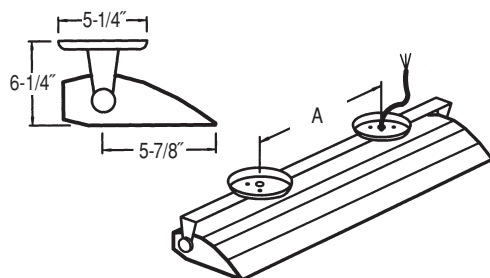
Yoke (8' Length Fixture)

Ordering: Add **-MY** to catalog number

Sample: **440BXWW-A9-MY**

CANOPY MOUNT

Supplied with hardware to mount directly to a J-Box. The 2', 3', 4' and 8' fixtures are supplied with two canopies.

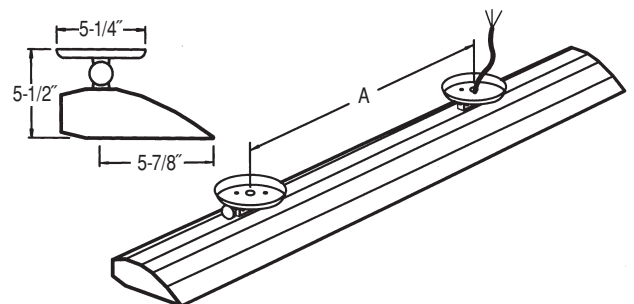


Canopy (Up to 4' Length Fixture)

Ordering: Add **-CY** to catalog number

Sample: **240BXWW-A9-CY**

Fixture Length	A
2' Fixture	18"
3' Fixture	24"
4' Fixture	24"
8' Fixture	48"



Canopy (8' Length Fixture)

Ordering: Add **-CMY** to catalog number

Sample: **440BXWW-A9-CMY**

AILERON MOUNTING

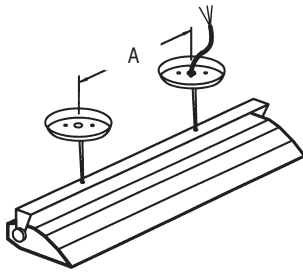
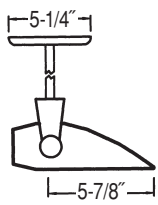
A9 SERIES

Mounting must be specified.

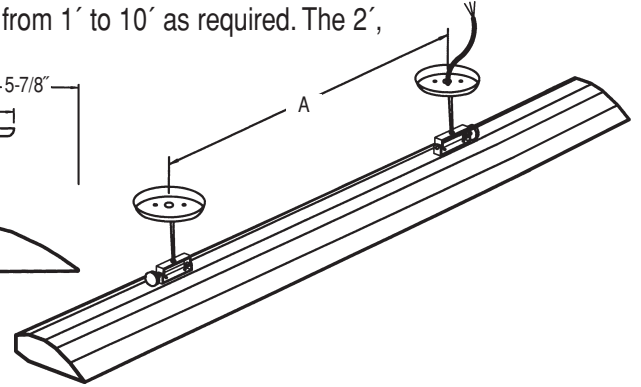
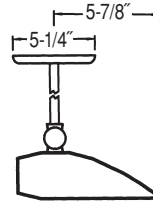


CANOPY & STEM

Supplied with hardware to mount directly to a J-Box. Stems provided from 1' to 10' as required. The 2', 3', 4' & 8' fixtures are provided with two.



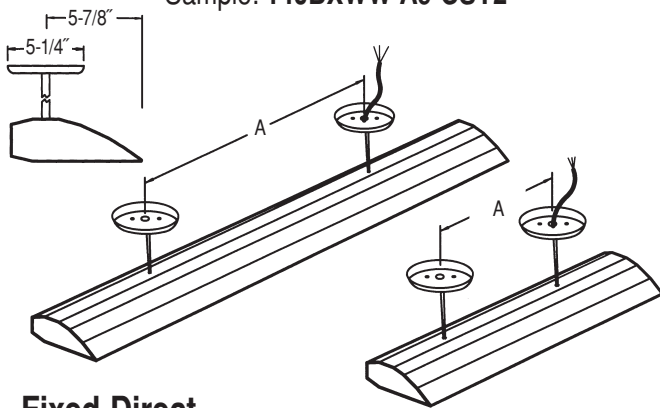
Fixture Length	A
2' Fixture	18"
3' Fixture	24"
4' Fixture	24"
8' Fixture	48"



Adjustable (Up to 4' Length Fixture)

Ordering: Add **-CSY** (stem length required)

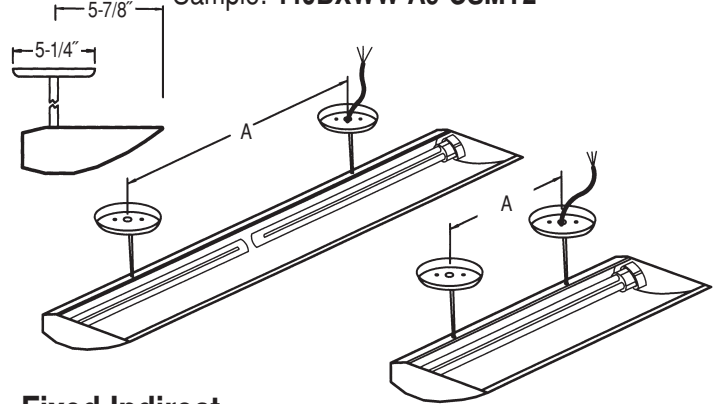
Sample: **140BXWW-A9-CSY2**



Adjustable (8' Length Fixture)

Ordering: Add **-CSMY** (stem length required)

Sample: **440BXWW-A9-CSMY2**



Fixed Direct

Ordering: Add **-CS** (stem length required)

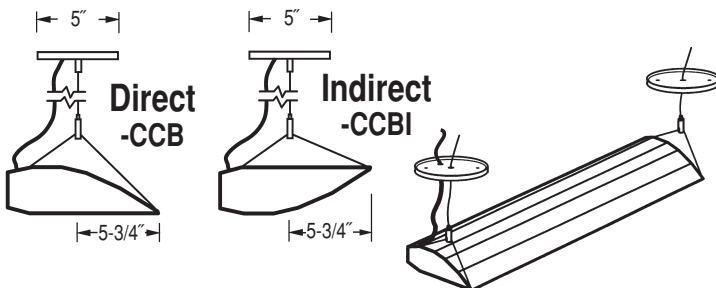
Sample: **240BXWW-A9-CS2**

Fixed Indirect

Ordering: Add **-CSI** (stem length required)

Sample: **240BXWW-A9-CSI2**

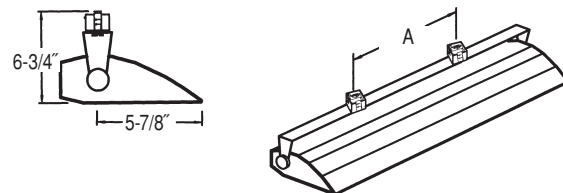
CANOPY CABLE MOUNT



Ordering: Add **-CCB** (cable length required)
Add **-CCBI** (cable length required)
Sample: **140BXWW-A9-CCB8**

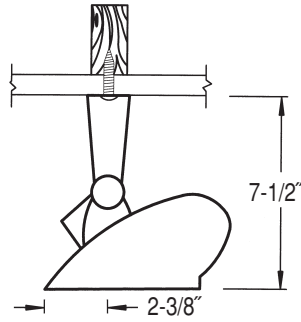
TRACK MOUNT

Adapters can be supplied for Con-Tech track, which is U.L. compatible with Juno. For all other track, adapters must be supplied by others. All 2', 3' & 4' fixtures provided with two.



Track (Up to 4' Only)

Ordering: Add **-TK** to catalog number
Sample: **140BXWW-A9-TK**

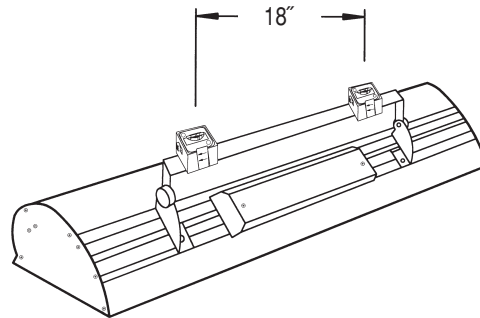
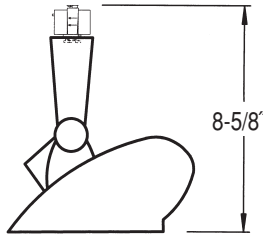


SY MOUNTING

SY SERIES

Fixtures are standardly provided with a yoke that would mount directly to the ceiling or structure using screws or drywall bolts (by others).

TRACK MOUNT



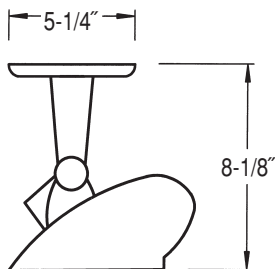
TRACK

Adapters can be supplied for Con-Tech track. The Con-Tech track adapters are U.L. compatible with Juno track. For all other track, adapters must be supplied by others. All 2', 3' and 4' fixtures are provided with two track adapters. 8' fixtures are not available for track mount.

ORDERING: Add -TK to catalog number.

Sample: 240 BXWW-SY-TK

CANOPY & STEM MOUNT

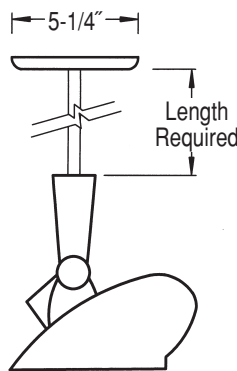


CANOPY

Supplied with hardware to mount directly to a J-Box. The 2', 3', 4' and 8' fixtures are supplied with two.

ORDERING: Add -CY to catalog number.

Sample: 140 BXWW-SY-CY

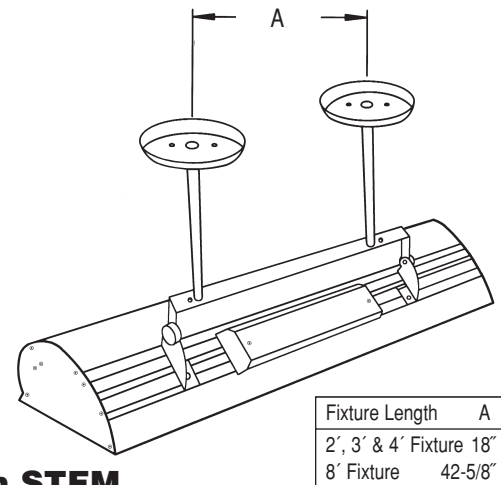


CANOPY with STEM

Supplied with hardware to mount directly to a J-Box. Stems are standardly provided from 1' to 10' as required. The 2', 3', 4' and 8' fixtures are provided with two.

ORDERING: Add -CS (length required) to catalog number.

Sample: 240 BXWW-SY-CS4



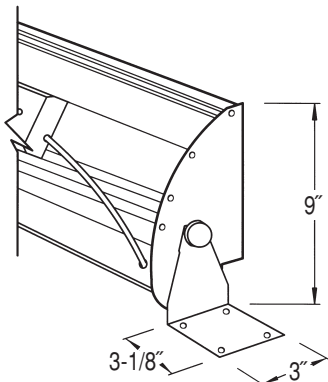
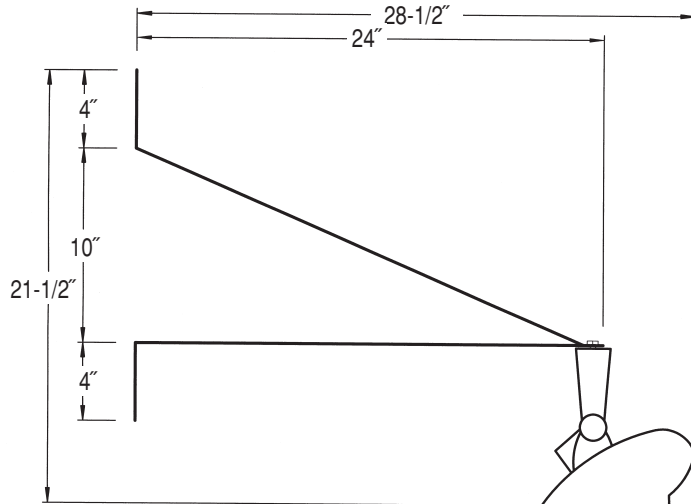
ADDITIONAL MOUNTING OPTIONS

WALL BRACKET

Supplied in 24" length standardly.
Cantilevers the fixture away from the wall that you intend to light.

ORDERING:

Add **-WB** to catalog number.
Sample: **140 BXWW-SY-WB**

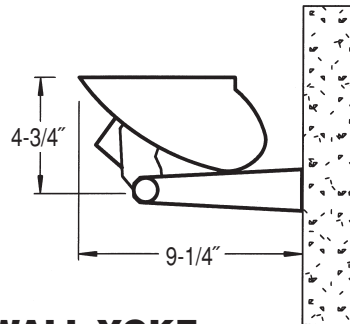


BRACKET MOUNT

Supplied to stand the fixture up and mount to the surface.

ORDERING:

Add **-BK** to catalog number.
Sample: **140 BXWW-SY-BK**

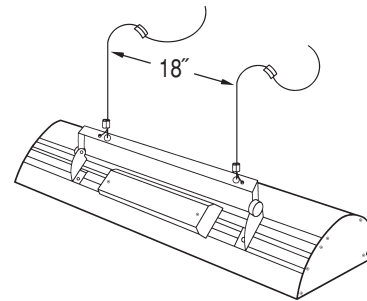


WALL YOKE

Supplied to mount the fixture directly to the wall and aim the light indirectly into the room.

ORDERING:

Add **-WY** to catalog number.
Sample: **140 BXWW-SY-WY**

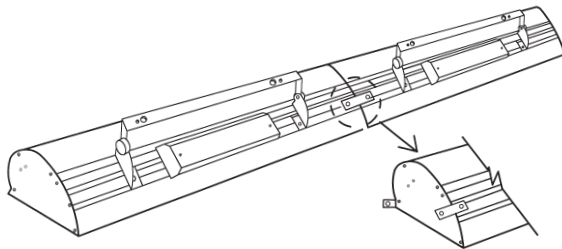


CABLE MOUNT

Supplied with four copper crimps for permanent mounting height. Specify length in feet.

ORDERING:

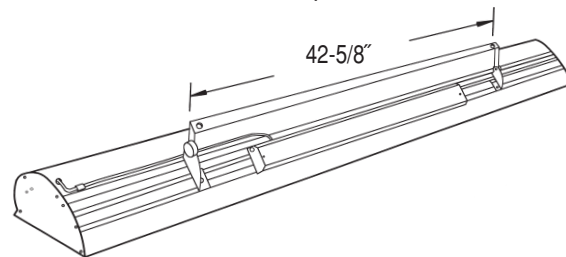
Add **-CB (length)** to number.
Sample: **140 BXWW-SY-CB4**



JOINER BRACKETS

Are available to attach fixtures together if they are being mounted in a continuous line. Provide row configuration.

ORDERING: Provided in sets of two.
Sample: **BK-M-SY-JOIN**



EIGHT FOOT FIXTURES

Are standardly provided with 4' yoke with mounting holes at each end. One ballast box is centered under the yoke. The 8' fixtures may not be mounted directly to a track because of their weight.