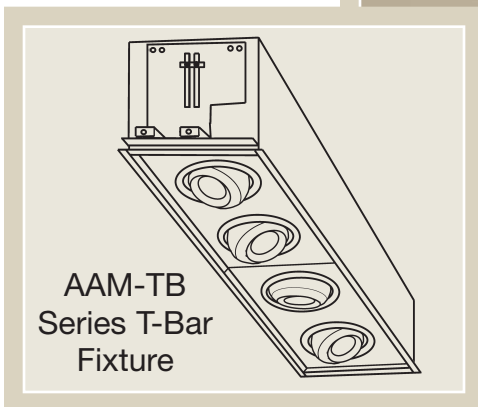


ELP

ENGINEERED LIGHTING
PRODUCTS

AAM & AAMTB SERIES

RECESSED Adjustable Accent Downlights
for Drywall and T-Bar Installation



RECESSED multi-head adjustable accents modules, with clean, closed face. Use them alone, or mix and match with our Down Lights & Wall Washers!

System

These 6", 12" and 24" accent modules allow individual lamp head aiming in one, two and four lamp configurations. They can be used alone or may be mixed and matched with the ELP Down Light (DL Series) and/or Wall Wash (DW or MP Series) fixtures.



AAM & AAMTB SERIES

RECESSED Adjustable Accent Downlights
for Drywall and T-Bar Installation

Specifications

Recessed housing has “enclosed” adjustable heads that provide a sleek, clean look at the face of the fixture without visible yokes and power feed. Modules are 6”, 12” or 24” with (1), (2) or (3) individual lamp heads respectively. Available for 50 watt MR-16 and Par20 halogen and 20 or 39 watt Par20 metal halide lamps. Individual lamp heads allow 358° rotation and 45° tilt without breaking the ceiling plane. Clip release allows easy “no tool” access for re-lamping.

TGIC polyester powder coated housing is made of 22 gauge CRS and is post painted. The trim for drywall fixtures is extruded aluminum. All MR-16 fixtures are provided with protective glass lens.

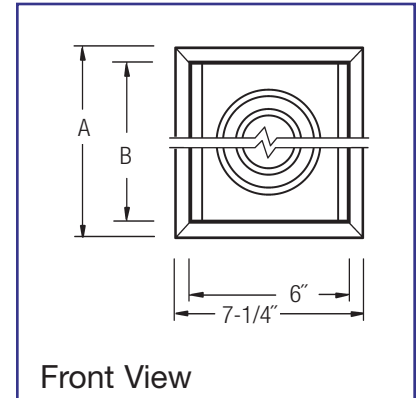
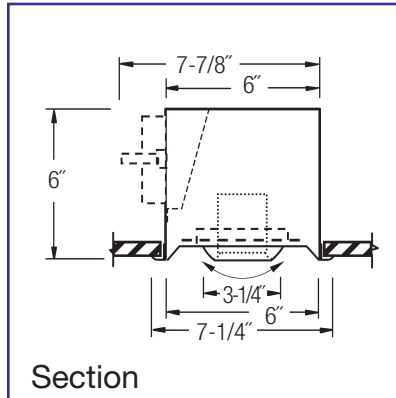
Continuous Mount – If the drywall fixtures are being mounted in a continuous row, with other “Series” fixtures, add “CC” to catalog number. Also provide fixture layout and row configuration, so proper trims may be provided. Example:

- (3) 350MR-16AAM-CC
- (6) 240BXDW-CC
- For (3) 10' Rows as DW/AAM/DW
- UL/CUL Damp Location Listed.

Options

Ballast/Transformer 120 or 277 Electronic (Standard)
(as required)

- Finish White (Standard)
- Custom -Custom
- Lens Color (Specify)
- Spread -SPL
- Louver Black Honey Comb -LVB
- Mounting Individual Fixtures (Standard)
- Continuous -CC (see above)

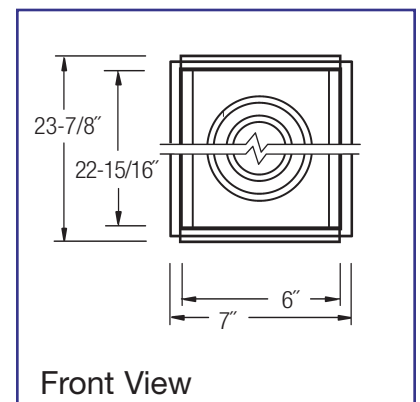
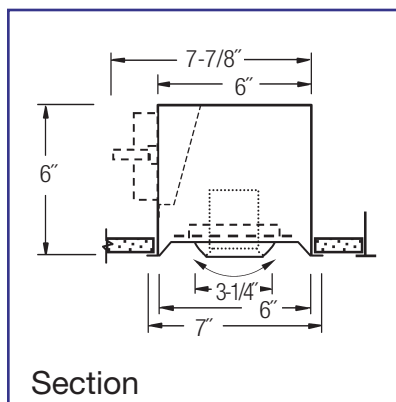


AAM SERIES for Drywall or Plaster Installations

Model No.	A	B	Lamp
150MR-16AAM*	7-1/4"	6"	(1) 50 watt MR-16
250MR-16AAM*	13-1/4"	12"	(2) 50 watt MR-16
350MR-16AAM	24-3/16"	22-15/16"	(3) 50 watt MR-16
150PAR20AAM*	7-1/4"	6"	(1) 50 watt Par 20 Halogen
250PAR20AAM*	13-1/4"	12"	(2) 50 watt Par 20 Halogen
350PAR20AAM	24-3/16"	22-15/16"	(3) 50 watt Par 20 Halogen
120PAR20MHAAM*	7-1/4"	6"	(1) 20 watt Par 20 Metal Halide
220PAR20MHAAM*	13-1/4"	12"	(2) 20 watt Par 20 Metal Halide
320PAR20MHAAM	24-3/16"	22-15/16"	(3) 20 watt Par 20 Metal Halide
139PAR20MHAAM*	7-1/4"	6"	(1) 39 watt Par 20 Metal Halide
239PAR20MHAAM*	13-1/4"	12"	(2) 39 watt Par 20 Metal Halide
339PAR20MHAAM	24-3/16"	22-15/16"	(3) 39 watt Par 20 Metal Halide

* Individual units may also be mounted in T-Bar ceilings.

Note: AAM Series fixtures for Drywall and Plaster are NOT available for a “Trimless” Option.



AAMTB SERIES for T-Bar Installations

Model No.	Lamp
350MR-16AAM-TB	(3) 50 watt MR-16
350PAR20AAM-TB	(3) 50 watt Par 20 Halogen
320PAR20MHAAM-TB	(3) 20 watt Par 20 Metal Halide
339PAR20MHAAM-TB	(3) 39 watt Par 20 Metal Halide