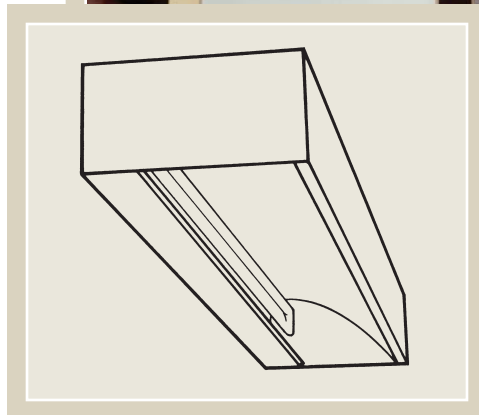
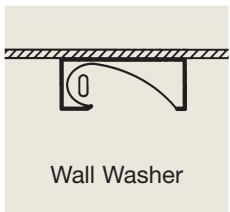
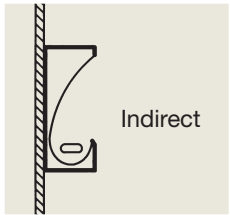


ELP

ENGINEERED LIGHTING
PRODUCTS

AKS SERIES

SURFACE Mount Wall Washer



*Ideal placement is 24" to 36"
from the front edge of fixture
to the surface you are
lighting, at 8' to 12' height.*

Project
Security Industrial
El Monte, California

Specifier
R.W. Swarens Associates
El Monte, California

Photographer
Robin A. Higgin
South Pasadena, California

Lighting
240 BXWW-AKS, 80 watts

System

High performance wall wash fixtures with exceptional lamp shielding from the normal viewing angle. The shallow 3-1/2" design is also ADA compliant for wall mount installations to wash the ceiling or floor with light. Formed, high purity aluminum reflectors provide even, unscaloped illumination.



TYPE:
CATALOG #:
JOB:

Specifications

Surface mount fluorescent wall washer for use with T-5, T-8 or Biax lamps. All fixtures are 3-1/2" deep with the exception of the double lamp T-8 fixtures, which are 5". Both have integral ballast. The one piece, formed reflector is high purity aluminum (99.9%) with 95% reflectance. It is easily removable without tools for access to the ballast and wiring. Reflector design provides even unscalped illumination with complete lamp shielding even when viewed directly beneath fixture.

TGIC polyester powder-coated housing is made of 22 gauge CRS with cover and knock-outs for through wiring. All fluorescent fixtures are supplied standard with Luminaire Disconnect.

Continuous Mount – If fixtures are being mounted in a continuous row, add "CC" to the catalog number and provide row configuration, i.e.: (18) 240BXWW-AKS-CC for (6) 12' rows.

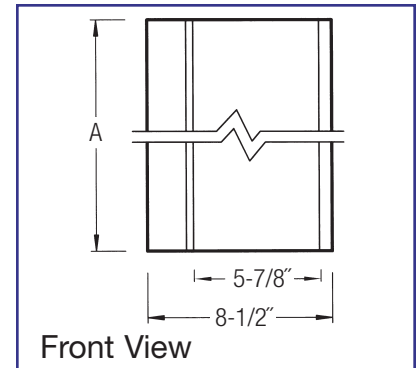
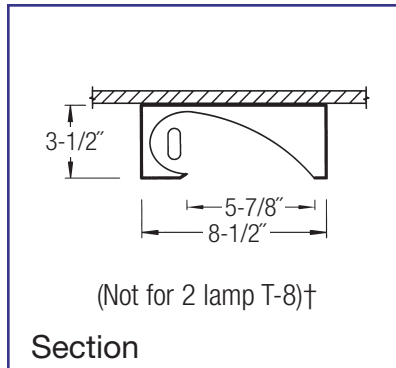
Knock-outs will be provided between continuous fixtures for through wiring.

UL/CUL Damp Location listed.

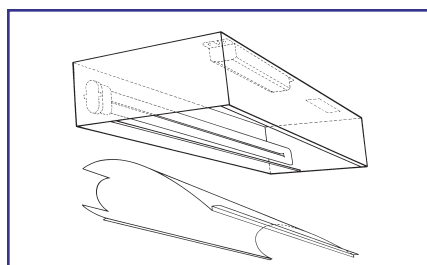
U.S. Patent #5,142,459

Options

- Ballast 120 HPF or 277 Electronic (Standard)
Dimming (Some models) -DM
Emergency (Some models) -EPP
- Finish White (Standard)
Custom -Custom
- Reflectors Diffuse Silver (Standard)
Specular Silver -SP
Stepped Diffuse Silver -ST
Painted White -W
- Lens Clear Lexan Mini Lens -ML
Frosted Lexan Mini Lens -MLF
(To eliminate a clear lamp image in Up light installations that may occur at certain viewing angles, we suggest you use a White or Stepped reflector, OR standard reflector with Frosted Mini Lens)
- Louver Diffuse Silver Parallel Blade -LV
- Mounting Surface J-Box (Standard)
Canopy w/Stem -CS (FT of Stem)
ex. 240 BXWW-AKS-CS4
Continuous Row (see above) -CC



Model No.	A	Lamp
118 BXWW-AK S	12"	18 watt Biax
139 BXWW-AK S	18"	39 watt Biax
140 BXWW-AK S	24"	40 watt Biax
150 BXWW-AK S	24"	50 watt Biax
155 BXWW-AK S	24"	55 watt Biax
239 BXWW-AK S	36"	(2) 39 watt Biax
240 BXWW-AK S	48"	(2) 40 watt Biax
250 BXWW-AK S	48"	(2) 50 watt Biax
255 BXWW-AK S	48"	(2) 55 watt Biax
114 T-5WW-AK S	24"	14 watt T-5
214 T-5WW-AK S	24"	(2) 14 watt T-5
124 T-5WW-AK S	24"	24 watt T-5 HO
224 T-5WW-AK S	24"	(2) 24 watt T-5 HO
121 T-5WW-AK S	36"	21 watt T-5
221 T-5WW-AK S	36"	(2) 21 watt T-5
139 T-5WW-AK S	36"	39 watt T-5 HO
239 T-5WW-AK S	36"	(2) 39 watt T-5 HO
128 T-5WW-AK S	48"	28 watt T-5
228 T-5WW-AK S	48"	(2) 28 watt T-5
154 T-5WW-AK S	48"	54 watt T-5 HO
254 T-5WW-AK S	48"	(2) 54 watt T-5 HO
117 T-8WW-AK S	24"	17 watt T-8
125 T-8WW-AK S	36"	25 watt T-8
132 T-8WW-AK S	48"	32 watt T-8
217 T-8WW-AK S*	24"	(2) 17 watt T-8
225 T-8WW-AK S*	36"	(2) 25 watt T-8
232 T-8WW-AK S*	48"	(2) 32 watt T-8



* T-8 Double lamp housing is 10" W x 5" Ht.