

ELP

ENGINEERED LIGHTING
PRODUCTS

AKTB SERIES

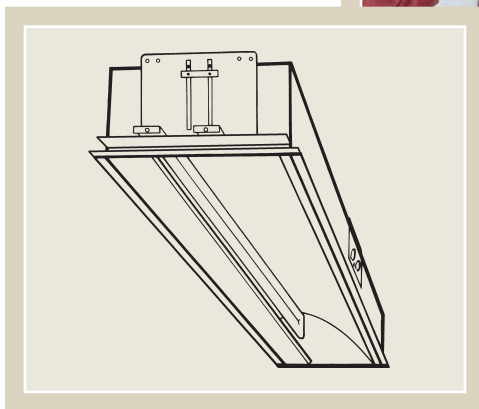
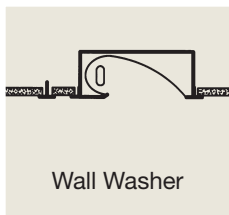
RECESSED Wall Washer for T-Bar Lay-in

Project
JC Penney Store
Whittier, California

Specifier
Wojno Construction
Long Beach, California

Photographer
Robin A. Higgin
South Pasadena, California

Lighting
240 BXWW-AKTB, 80 watts



*Ideal placement is 24" to 36"
from the front edge of fixture
to the surface you are lighting,
for 8' to 12' ceilings.*

System

Shallow, high performance wall wash fixtures for use in suspended ceiling installations. The formed, high purity aluminum reflector design provides even, unscaloped illumination with exceptional lamp shielding and no glare from the normal viewing angle.



TYPE:
CATALOG #:
JOB:

Specifications

Recessed, lay-in fluorescent wall washer for use with T-5, T-8 or Biax lamps, for T-Bar ceiling installations. May be mounted end to end within the grid. All fixtures are 3-1/2" deep with the exception of the T-8 fixtures. All have integral ballast. The one piece, formed reflector is high purity aluminum (99.9%) with 95% reflectance. It is easily removable without tools for access to the ballast and wiring. Reflector design provides even, unscaloped illumination with complete lamp shielding even when viewed directly beneath fixture.

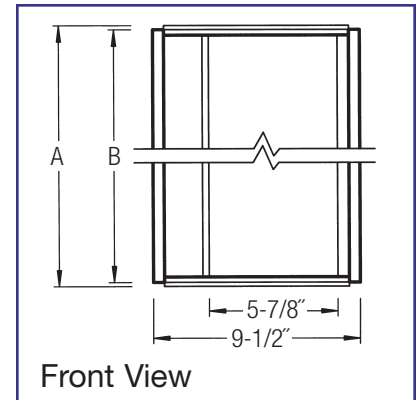
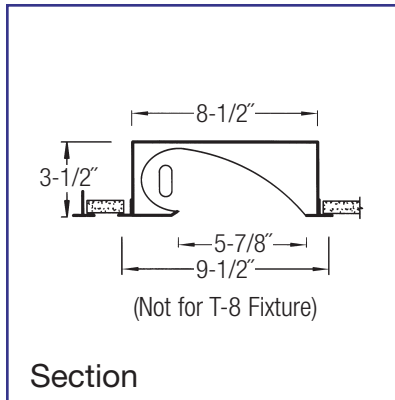
TGIC polyester powder-coated housing is made of 22 gauge CRS with cover and knock-outs that provide quick wire access to side or back of fixture for through wiring. All fluorescent fixtures are supplied standard with Luminaire Disconnect.

UL/CUL Damp Location Listed.

U.S. Patent #5,142,459

Options

- Ballast 120 HPF or 277 Electronic (Standard)
Dimming (Some models) -DM
Emergency (Some models) -EPP
- Finish White (Standard)
Anti-Microbial White -MB
Custom -Custom
- Reflectors Diffuse Silver (Standard)
Specular Silver -SP
Stepped Diffuse Silver -ST
Painted White -W
- Lens Clear Lexan Mini Lens -ML
Frosted Lexan Mini Lens -MLF
- Louver Diffuse Silver Parallel Blade -LV



Model No.	A	B	Lamp
140 BXWW-AKTB	23-7/8"	23-7/16"	40 watt Biax
150 BXWW-AKTB	23-7/8"	23-7/16"	50 watt Biax
155 BXWW-AKTB	23-7/8"	23-7/16"	55 watt Biax
240 BXWW-AKTB	47-7/8"	47-7/16"	(2) 40 watt Biax
250 BXWW-AKTB	47-7/8"	47-7/16"	(2) 50 watt Biax
255 BXWW-AKTB	47-7/8"	47-7/16"	(2) 55 watt Biax
114 T-5WW-AKTB	23-7/8"	23-7/16"	14 watt T-5
214 T-5WW-AKTB	23-7/8"	23-7/16"	(2) 14 watt T-5
124 T-5WW-AKTB	23-7/8"	23-7/16"	24 watt T-5 HO
224 T-5WW-AKTB	23-7/8"	23-7/16"	(2) 24 watt T-5 HO
128 T-5WW-AKTB	47-7/8"	47-7/16"	28 watt T-5
228 T-5WW-AKTB	47-7/8"	47-7/16"	(2) 28 watt T-5
154 T-5WW-AKTB	47-7/8"	47-7/16"	54 watt T-5 HO
254 T-5WW-AKTB	47-7/8"	47-7/16"	(2) 54 watt T-5 HO
117 T-8WW-AKTB† (add 'CC' if mounting end to end)*	24"	23-7/16"	17 watt T-8
132 T-8WW-AKTB† (add 'CC' if mounting end to end)*	48"	47-7/16"	32 watt T-8
217 T-8WW-AKTB†† (add 'CC' if mounting end to end)*	24"	23-7/16"	(2) 17 watt T-8
232 T-8WW-AKTB†† (add 'CC' if mounting end to end)*	48"	47-7/16"	(2) 32 watt T-8

† T-8 Single lamp housing is 4-1/2"Ht.

* No more than 5 in a row.

†† T-8 Double lamp housing is 10"W x 5"Ht.

