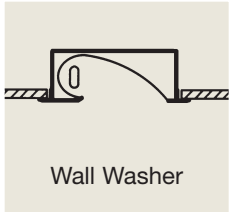


ELP

ENGINEERED LIGHTING
PRODUCTS

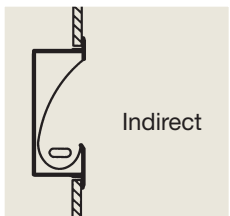
RECESSED Wall Washer For Plaster or Drywall



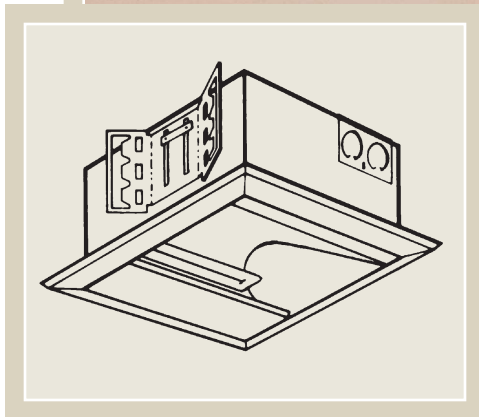
Wall Washer



Floor
Washer



Indirect



Project

Wilbur Medical Plaza
Tarzana, California

Interior Designer

McCabe Design
Long Beach, California

Specifier

McCabe Design
Long Beach, California

Photographer

Michael Sean
South Pasadena, California

Lighting

139 BXWW-AK, 39 watts

*Ideal placement is
24" to 36" from the front
edge of fixture to the
surface you are lighting,
for 8' to 12' ceilings.*

System

High-performance wall wash fixtures with exceptional lamp shielding from the normal viewing angle. The shallow 3-1/2" design also allows wall installation in a standard 4" wall to wash the ceiling or floor with light. Formed, high purity aluminum reflectors provide even, unscalloped illumination.



TYPE:

CATALOG #:

JOB:

RECESSED Wall Washer for Plaster or Drywall

Specifications

Recessed wall washer for use with PL, Quad, Triple Tube, Biax, T-5 and T-8 fluorescent lamps and the T-10 incandescent lamp. All fixtures are 3-1/2" deep with the exception of the double lamp T-8 fixtures, which are 5". Both have integral ballast.

The shallow 3-1/2" fixture may be recessed into a standard 4" wall to wash the ceiling or floor with light. By lining the "wall recess" with gypsum, the wall installation may also be modified to maintain a one hour fire rating (SEE INSTRUCTIONS).

The one-piece, formed reflector is high-purity aluminum (99.9%) with 95% reflectance. It is easily removable without tools for access to the ballast and wiring. Reflector design provides even, unscaloped illumination with complete lamp shielding even when viewed directly beneath the fixture (Triple Tube lamps not entirely shielded).

TGIC polyester powder coated housing is made of 22 gauge CRS with cover and knock-outs that provide quick wire access to side or back of fixture for through wiring. All fluorescent fixtures are supplied standard with Luminaire Disconnect. Trim is extruded aluminum.

Continuous Mount – If fixtures are being mounted in a continuous row add "CC" (if in ceiling) or "CW" (if in wall) to the catalog number and provide row configuration, so proper trims may be provided, i.e.: (18) 240BXWW-AK-CC for (6) 12' rows.

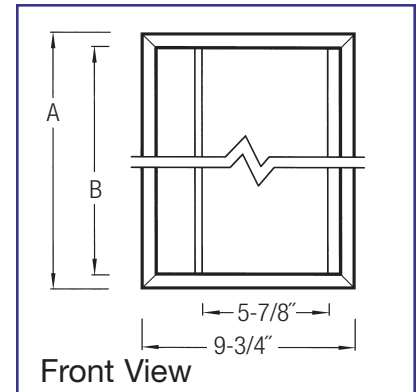
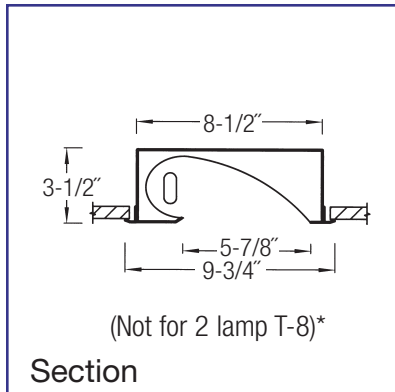
Rough-In Dimensions = (Entire length of row, add all "B" lengths + 1/2") x 9-1/8". Dimensions do *not* apply to Trimless installations.

UL/CUL Damp Location listed.

U.S. Patent #5,142,459

Options

- Ballast 120 or 277 HPF Electronic (Standard)
Dimming (Some models) -DM
Emergency (Some models) -EPP
- Finish White (Standard)
Anti-Microbial White -MB
Custom -Custom
- Reflectors Diffuse Silver (Standard)
Specular Silver -SP
Stepped Diffuse Silver -ST
Painted White -W
(To eliminate a clear lamp image in Up light installations that may occur at certain viewing angles, we suggest you use a White or Stepped reflector, OR standard reflector with Frosted Mini Lens)
- Lens Clear Lexan Mini Lens -ML
(Fluorescent only) Frosted Lexan Mini Lens -MLF
Clear Lexan Full Lens -FL**
Frosted Lexan Full Lens -FLF**
- Louver Diffuse Silver Parallel Blade -LV
- Trimless Gypsum/Drywall Installation -TLD
Plaster Installation -TLP
(See TRIMLESS sheet for dimensions)
- Hospital Hospital Grade Features -HG
(Full Lens; Gasket; Anti-Microbial Paint)



Model No.	A	B	Rough-in Dimensions	Lamp
160 INWW-AK	9-3/4"	8-1/2"	9-1/8" x 9"	60 watt T-10 Inc.
113 PLWW-AK	9-3/4"	8-1/2"	9-1/8" x 9"	13 watt PL
213 PLWW-AK	19-1/4"	18"	9-1/8" x 18-1/2"	(2) 13 watt PL
126 QDWW-AK	9-3/4"	8-1/2"	9-1/8" x 9"	26 watt Quad
226 QDWW-AK	19-1/4"	18"	9-1/8" x 18-1/2"	(2) 26 watt Quad
118 TTWW-AK	9-3/4"	8-1/2"	9-1/8" x 9"	18 watt Triple Tube
218 TTWW-AK	19-1/4"	18"	9-1/8" x 18-1/2"	(2) 18 watt Triple Tube
126 TTWW-AK	9-3/4"	8-1/2"	9-1/8" x 9"	26 watt Triple Tube
226 TTWW-AK	19-1/4"	18"	9-1/8" x 18-1/2"	(2) 26 watt Triple Tube
132 TTWW-AK	9-3/4"	8-1/2"	9-1/8" x 9"	32 watt Triple Tube
232 TTWW-AK	19-1/4"	18"	9-1/8" x 18-1/2"	(2) 32 watt Triple Tube
142 TTWW-AK	9-3/4"	8-1/2"	9-1/8" x 9"	42 watt Triple Tube
157 TTWW-AK	13-1/4"	12"	9-1/8" x 12-1/2"	57 watt Triple Tube
242 TTWW-AK	19-1/4"	18"	9-1/8" x 18-1/2"	(2) 42 watt Triple Tube
118 BXWW-AK	13-1/4"	12"	9-1/8" x 12-1/2"	18 watt Biax
127 BXWW-AK	15-1/4"	14"	9-1/8" x 14-1/2"	27 watt Biax
139 BXWW-AK	19-1/4"	18"	9-1/8" x 18-1/2"	39 watt Biax
140 BXWW-AK	24-3/16"	22-15/16"	9-1/8" x 23-1/2"	40 watt Biax
150 BXWW-AK	24-3/16"	22-15/16"	9-1/8" x 23-1/2"	50 watt Biax
155 BXWW-AK	24-3/16"	22-15/16"	9-1/8" x 23-1/2"	55 watt Biax
239 BXWW-AK	37-1/4"	36"	9-1/8" x 36-1/2"	(2) 39 watt Biax
240 BXWW-AK	48-3/16"	46-15/16"	9-1/8" x 47-1/2"	(2) 40 watt Biax
250 BXWW-AK	48-3/16"	46-15/16"	9-1/8" x 47-1/2"	(2) 50 watt Biax
255 BXWW-AK	48-3/16"	46-15/16"	9-1/8" x 47-1/2"	(2) 55 watt Biax
114 T-5WW-AK	24-3/16"	22-15/16"	9-1/8" x 23-1/2"	14 watt T-5
214 T-5WW-AK	24-3/16"	22-15/16"	9-1/8" x 23-1/2"	(2) 14 watt T-5
124 T-5WW-AK	24-3/16"	22-15/16"	9-1/8" x 23-1/2"	24 watt T-5 HO
224 T-5WW-AK	24-3/16"	22-15/16"	9-1/8" x 23-1/2"	(2) 24 watt T-5 HO
121 T-5WW-AK	37-1/4"	36"	9-1/8" x 36-1/2"	21 watt T-5
221 T-5WW-AK	37-1/4"	36"	9-1/8" x 36-1/2"	(2) 21 watt T-5
139 T-5WW-AK	37-1/4"	36"	9-1/8" x 36-1/2"	39 watt T-5 HO
239 T-5WW-AK	37-1/4"	36"	9-1/8" x 36-1/2"	(2) 39 watt T-5 HO
128 T-5WW-AK	48-3/16"	46-15/16"	9-1/8" x 47-1/2"	28 watt T-5
228 T-5WW-AK	48-3/16"	46-15/16"	9-1/8" x 47-1/2"	(2) 28 watt T-5
154 T-5WW-AK	48-3/16"	46-15/16"	9-1/8" x 47-1/2"	54 watt T-5 HO
254 T-5WW-AK	48-3/16"	46-15/16"	9-1/8" x 47-1/2"	(2) 54 watt T-5 HO
117 T-8WW-AK	25-1/4"	24"	9-1/8" x 24-1/2"	17 watt T-8
125 T-8WW-AK	37-1/4"	36"	9-1/8" x 36-1/2"	25 watt T-8
132 T-8WW-AK	49-1/4"	48"	9-1/8" x 48-1/2"	32 watt T-8
217 T-8WW-AK*	25-1/4"	24"	10-5/8" x 24-1/2"	(2) 17 watt T-8
225 T-8WW-AK*	37-1/4"	36"	10-5/8" x 36-1/2"	(2) 25 watt T-8
232 T-8WW-AK*	49-1/4"	48"	10-5/8" x 48-1/2"	(2) 32 watt T-8

* T-8 Double lamp housing is 10"W x 5"Ht. ** Full Lens Option is not available for Continuous mount units (end to end rows).