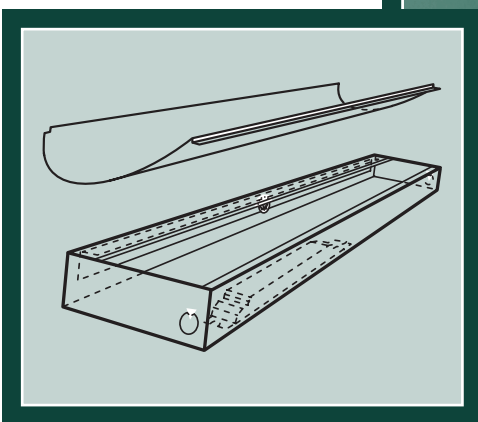
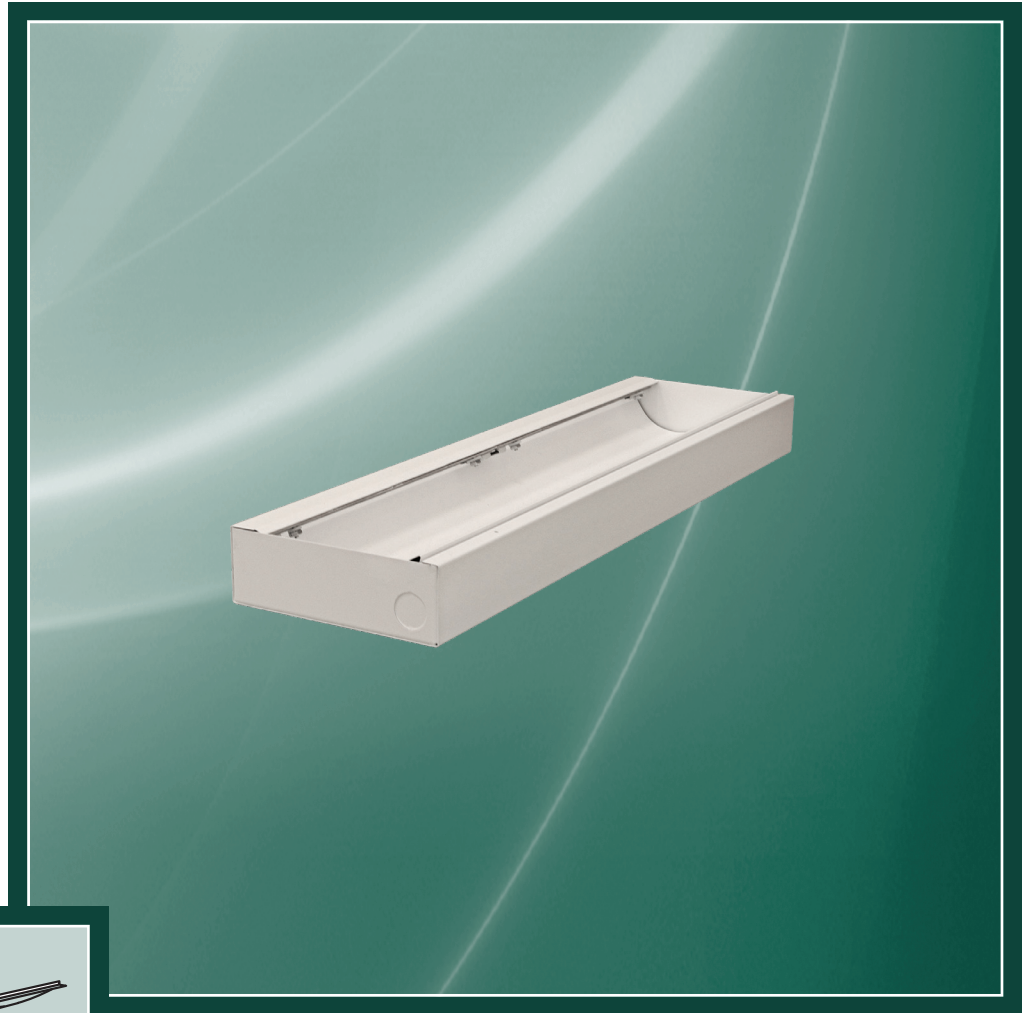
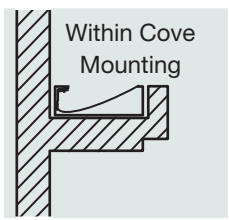
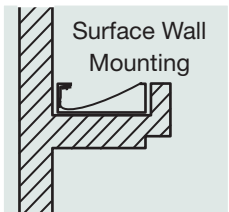


ELP

ENGINEERED LIGHTING
PRODUCTS

CLLP LED SERIES

SURFACE Mount Low Profile Cove Light



*Ideal low profile cove light
for very shallow coves.*

System

Sleek, low profile, high performance LED cove fixture is made to lay directly into your shallow cove shelf. The superior, one piece reflector design smoothly illuminates the cove and minimizes shadows between fixtures while projecting light out of the cove and into the space for general illumination.



TYPE:
CATALOG #:
JOB:

SURFACE Mount Low Profile Cove Light

Specifications

Low profile surface mounted LED cove light. The 2' unit utilizes two high efficacy, LED modules at 22 watts. The 3' utilizes three modules at 33 watts and the 4' is provided with four modules at 44 watts. Fixtures may be special ordered in 8' lengths with eight modules at 88 watts (call factory). They utilize the Osram PrevaLED® array, LED modules that are 80+ CRI and are rated greater than 60,000 hours. The fixture is 2" deep with driver mounted in the housing. The one piece, formed reflector is TGIC polyester powder coated in high reflectance matte white and is easily removable without tools for access to driver and wiring. White reflector design illuminates the cove and minimizes shadows between fixtures while projecting light out of the cove and into the space for general illumination. Fixtures are intended for installation in coves (by others) but may also be ordered in a surface version that mounts directly to the wall. Surface, wall mount style (2-1/2" Ht.) is provided with a clean, textured finish housing with no visible openings and knock outs at the back. If mounting surface wall mount fixtures in a continuous row, provide row lengths so through wiring holes may be provided at interior joints.

TGIC polyester powder coated housing is post painted and made of 22 gauge CRS with knock-outs provided at each end of fixture to allow for through wiring. All fixtures are supplied standard with Luminaire Disconnect.

c/CSA/us Damp Location Listed – Made in the USA

U.S. Patent #9,726,337

Options

Driver 120/277 0-10 volt, Osram OT True 1% Dim (Standard)
With End Of Life Indicator -EOL
With Soft Start -SFT
With Dim To Off -DTO

For Alternate Dimming:

3-wire/Digital, Lutron ECO Systems L3D 1% -DM6
2-wire, Lutron LTE 1% (120 only) -DM7
Digital, Lutron LDE 1% -DM8
LDE Standard Features include Soft-On,
Fade to Black and Guaranteed 1% Dimming
Lower Lumen Output (All Driver Options) -LL***

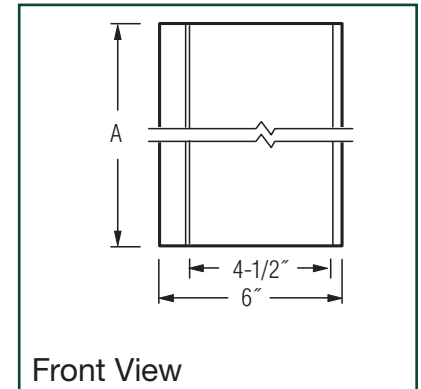
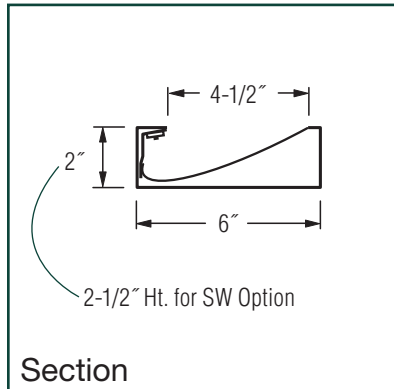
Finish White (Standard)
Anti-Microbial White -MB
Custom -Custom

Wireless Osram Sylvania Connected Lighting
Module -WLMS***

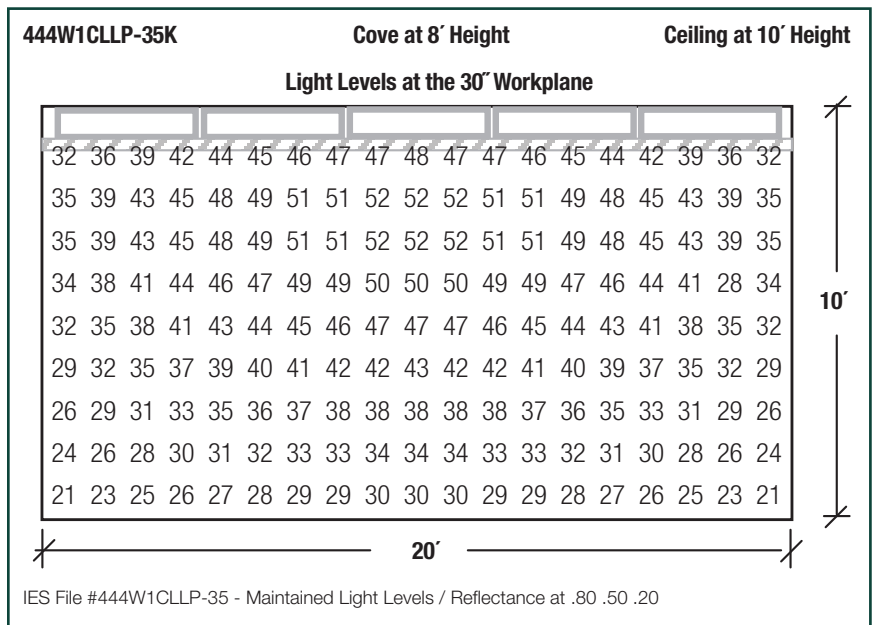
LED **Must Specify ***
2700K -27K (90+CRI) ▲
3000K -30K
3500K -35K
4000K -40K
5000K -50K***

Lens Clear Acrylic Full Lens -FL
Frosted Acrylic Full Lens -FLF

Mounting Within Cove (Standard)
Adjustable (Call factory) -AD
Surface Wall Mount -SW
Surface Wall Mount Continuous Row -SWCC
(Must provide length of "SW" continuous rows)



Model No.	A	Lamp	**Fixture Lumens
222W1CLLP-(*K)	22-1/2"	(2)10.8w LEDs	2631
333W1CLLP-(*K)	34-5/16"	(3)10.8w LEDs	3947
444W1CLLP-(*K)	46-1/8"	(4)10.8w LEDs	5263



*** Consult Factory.

▲ Models with 2700K lamps, 222W1CLLP-27K, 333W1CLLP-27K and #444W1CLLP-27K are California Title 24 compliant.

Note: All LED luminaires are provided standard with dimming, and have a 5 year warranty.