

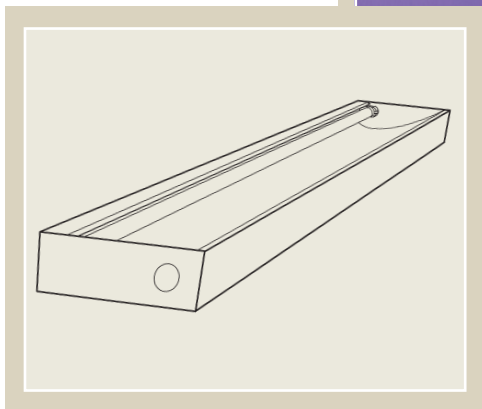
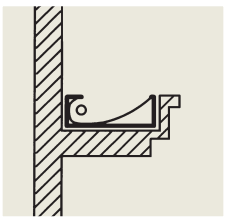
ELP

ENGINEERED LIGHTING
PRODUCTS

CLLP SERIES

**Now with
LED options!**

SURFACE Mount Low Profile Cove Light



*Ideal low profile cove light
for very shallow coves.*

System

Sleek, low profile cove fixture is made to lay directly into your shallow cove shelf. The superior reflector design smoothly illuminates the cove and minimizes socket shadows while projecting light out of the cove and into the space.



TYPE:
CATALOG #:
JOB:

SURFACE Mount Low Profile Cove Light LED & Fluorescent Fixtures

Specifications

Low profile surface mounted LED and fluorescent cove light for use with Biax, T-5 & T-8 lamps. The LED 2' unit utilizes two high efficacy, LED modules at 22 watts. The 3' utilizes three modules at 33 watts and the 4' is provided with four modules at 44 watts. They utilize the Sylvania 3500K distributed array, LED modules that are 80+ CRI and are rated up to 60,000 hours. The fixture is 2" or 3" deep with driver/ballast mounted in the housing. The one piece, formed reflector is TGIC polyester powder coated in matte white and is easily removable without tools for access to driver/ballast and wiring. White reflector design illuminates the cove and minimizes socket shadows while projecting light out of the cove and into the space.

TGIC polyester powder coated housing is made of 22 gauge CRS with knock-outs provided at each end of fixture to allow for through wiring. All fixtures are supplied standard with Luminaire Disconnect.

UL/CUL Damp Location Listed.

c/CSA/us Listed. ▲

U.S. Patent #5,142,459

Options

LED Driver 120/277 0-10 volt, Osram OT Dim (Standard)
For Alternate Dimming:
 DM6 3-wire/Digital, Lutron ECO Systems L3D
 DM7 2-wire, Lutron LTE (120v only)

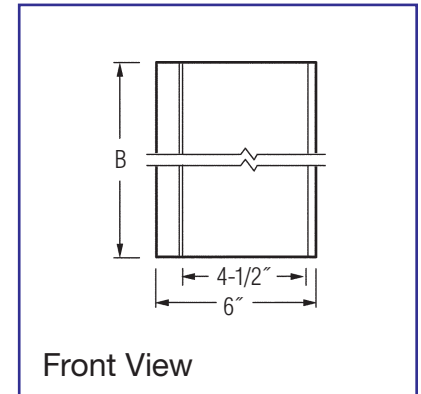
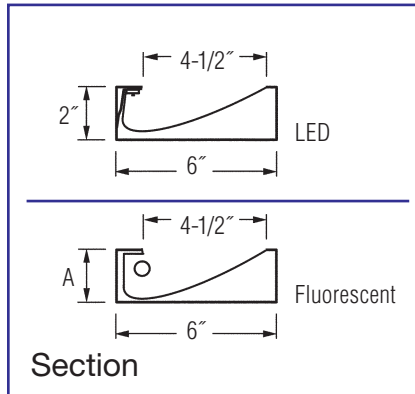
Fluorescent Ballast 120 or 277 HPF Electronic (Standard)
 Dimming (Some models) -DM
 Emergency (Some models) -EPP

Finish White (Standard)
 Anti-Microbial White -MB

LED Color 3500K (Standard)
 3000K -30K
 4000K -40K

Lens Clear Lexan Full Lens -FL
 Frosted Lexan Full Lens -FLF

Mounting Within Cove (Standard)
 Adjustable (Call Factory) -AD
 Surface Wall Mount -SW



Model No.	A	B	Lamp	Efficacy
222W1CLLP ▲	2"	22-1/2"	(2) 10.8 watt LED Modules, 1 CCT	73
333W1CLLP ▲	2"	34-5/16"	(3) 10.8 watt LED Modules, 1 CCT	78
444W1CLLP ▲	2"	46-1/8"	(4) 10.8 watt LED Modules, 1 CCT	78
140BXCLLP*	3"	23"	40 watt Biax	55
150BXCLLP*	3"	23"	50 watt Biax	61
155BXCLLP*	3"	23"	55 watt Biax	75
240BXCLLP*	3"	46-1/8"	(2) 40 watt Biax	58
250BXCLLP*	3"	46-1/8"	(2) 50 watt Biax	52
255BXCLLP*	3"	46-1/8"	(2) 55 watt Biax	65
114T-5CLLP	2"	22-1/2"	14 watt T-5	64
214T-5CLLP*	3"	22-1/2"	(2) 14 watt T-5	54
124T-5CLLP	2"	22-1/2"	24 watt T-5 HO	55
224T-5CLLP*	3"	22-1/2"	(2) 24 watt T-5 HO	45
121T-5CLLP	2"	34-5/16"	21 watt T-5	61
221T-5CLLP*	3"	34-5/16"	(2) 21 watt T-5	59
139T-5CLLP	2"	34-5/16"	39 watt T-5 HO	55
239T-5CLLP*	3"	34-5/16"	(2) 39 watt T-5 HO	71
128T-5CLLP	2"	46-1/8"	28 watt T-5	71
228T-5CLLP*	3"	46-1/8"	(2) 28 watt T-5	66
154T-5CLLP	2"	46-1/8"	54 watt T-5 HO	67
254T-5CLLP*	3"	46-1/8"	(2) 54 watt T-5 HO	57
117T-8CLLP*	3"	24"	17 watt T-8	49
125T-8CLLP*	3"	36"	25 watt T-8	55
132T-8CLLP*	3"	48"	32 watt T-8	65

* 3" Deep Housing.

Note: Efficacy will vary depending on the ballast or driver used.

Note: Standard T-5 lamps are available: 2' fixtures, replace the "24" with "14"; 3' fixtures, replace the "39" with "21"; 4' fixtures, replace the "54" with "28."

Note: Sylvania provides a 5-year warranty on the lamp driver combination when using their driver for this unit.

