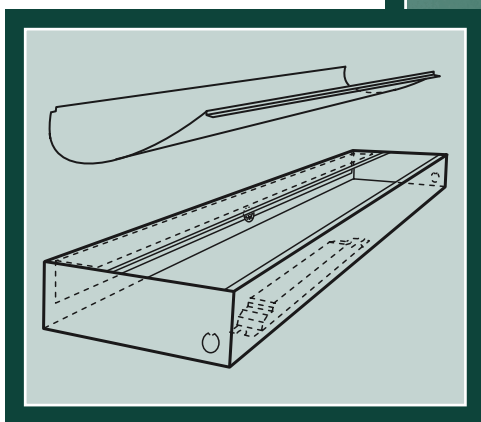
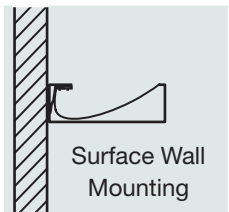


CL LED SERIES

ELP

ENGINEERED LIGHTING
PRODUCTS

SURFACE Mount Cove Light



*Ideal cove light for a standard
cove with a large cove shelf.*

System

Shallow, high performance LED cove fixture is made to lay directly into your large cove shelf. The superior, one piece reflector design smoothly illuminates the cove without unsightly shadows between fixtures while projecting light out of the cove and into the space for general illumination.



TYPE:
CATALOG #:
JOB:

SURFACE Mount Cove Light

Specifications

Shallow surface mounted LED cove light. The 2' unit utilizes two or four high efficacy, LED modules at 22 or 44 watts. The 3' utilizes three or six modules at 33 or 66 watts and the 4' is available with four or eight modules at 44 or 88 watts. Fixtures may be special ordered in 8' lengths with eight or sixteen modules at 88 or 176 watts (call factory). They utilize the Osram PrevaLED® array, LED modules that are 80+ CRI and are rated greater than 60,000 hours. The fixture is 2-3/4" deep with driver mounted in the housing. The one piece, formed reflector is TGIC polyester powder coated in high reflectance matte white and is easily removable without tools for access to driver and wiring. Reflector design illuminates the cove without unsightly shadows between fixtures while projecting light out of the cove and into the space for general illumination. Fixtures are intended for installation in coves (by others) but may also be ordered in a surface version that mounts directly to the wall. Surface, wall mount style is provided with a clean, textured finish housing with no visible openings and knock-outs at the back. If mounting surface wall mount fixtures in a continuous row, provide row lengths.

TGIC polyester powder coated housing is post painted and made of 22 gauge CRS with knock-outs provided at each end of fixture to allow for through wiring. All fixtures are supplied standard with Luminaire Disconnect.

c/CSA/us Damp Location Listed – Made in the USA

U.S. Patent #9,726,337

Options

Driver 120/277 0-10 volt, Osram OT True 1% Dim (Standard)
With End Of Life Indicator -EOL
With Soft Start -SFT
With Dim To Off -DTO

For Alternate Dimming:

3-wire/Digital, Lutron ECO Systems L3D 1% -DM6
2-wire, Lutron LTE 1% (120 only) -DM7
Digital, Lutron LDE 1% -DM8
LDE Standard Features include Soft-On,
Fade to Black and Guaranteed 1% Dimming
Lower Lumen Output (All Driver Options) -LL***

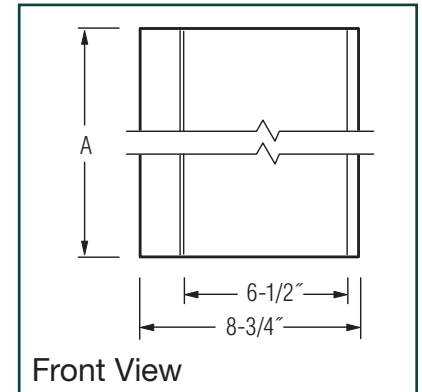
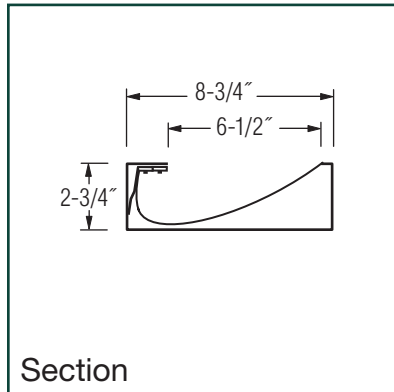
Finish White (Standard)
Anti-Microbial White -MB
Custom -Custom

Wireless Osram Sylvania Connected Lighting
Module -WLMS***

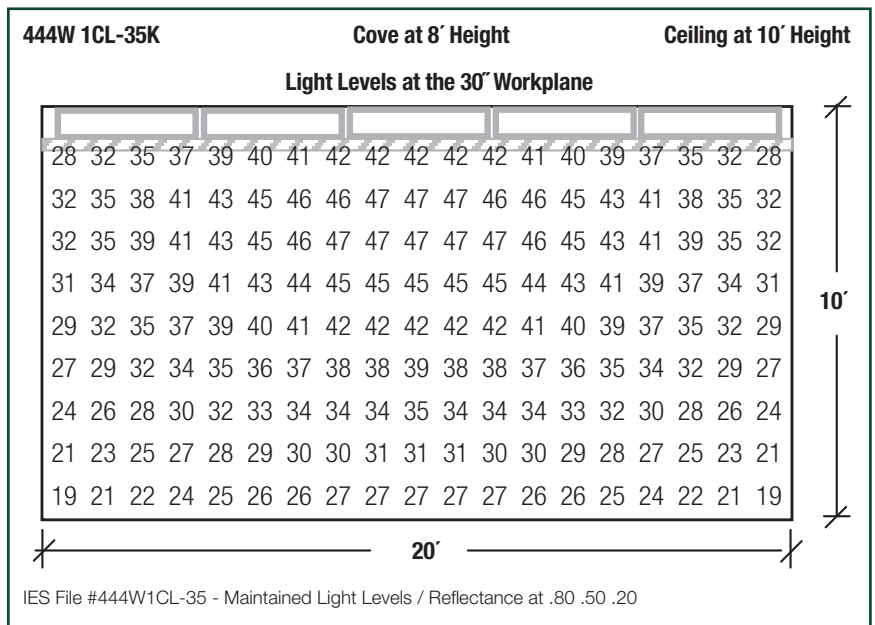
LED **Must Specify ***
2700K -27K (90+CRI) ▲
3000K -30K
3500K -35K
4000K -40K
5000K -50K***

Lens Clear Acrylic Full Lens -FL
Frosted Acrylic Full Lens -FLF

Mounting Within Cove (Standard)
Adjustable (Call factory) -AD
Surface Wall Mount -SW
Surface Wall Mount Continuous Row -SWCC
(Must provide length of "SW" continuous rows)



Model No.	A	Lamp	**Fixture Lumens
222W1CL-(*K)	22-1/2"	(2)10.8w LEDs	2387
444W1CL24-(*K) ▲	22-1/2"	(4)10.8w LEDs	4774
333W1CL-(*K)	34-5/16"	(3)10.8w LEDs	3581
666W1CL-(*K) ▲	34-5/16"	(6)10.8w LEDs	7161
444W1CL-(*K)	46-1/8"	(4)10.8w LEDs	4774
888W1CL-(*K) ▲	46-1/8"	(8)10.8 w LEDs	9549



*** Consult Factory.

▲ Models with this symbol are California Title 24 compliant and are the only ones with a 27K option.

Note: All LED luminaires are provided standard with dimming, and have a 5 year warranty.