

ELP

ENGINEERED LIGHTING
PRODUCTS

CL SERIES

SURFACE Mount Cove Light

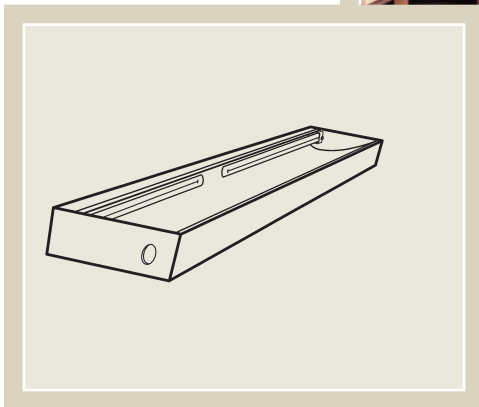
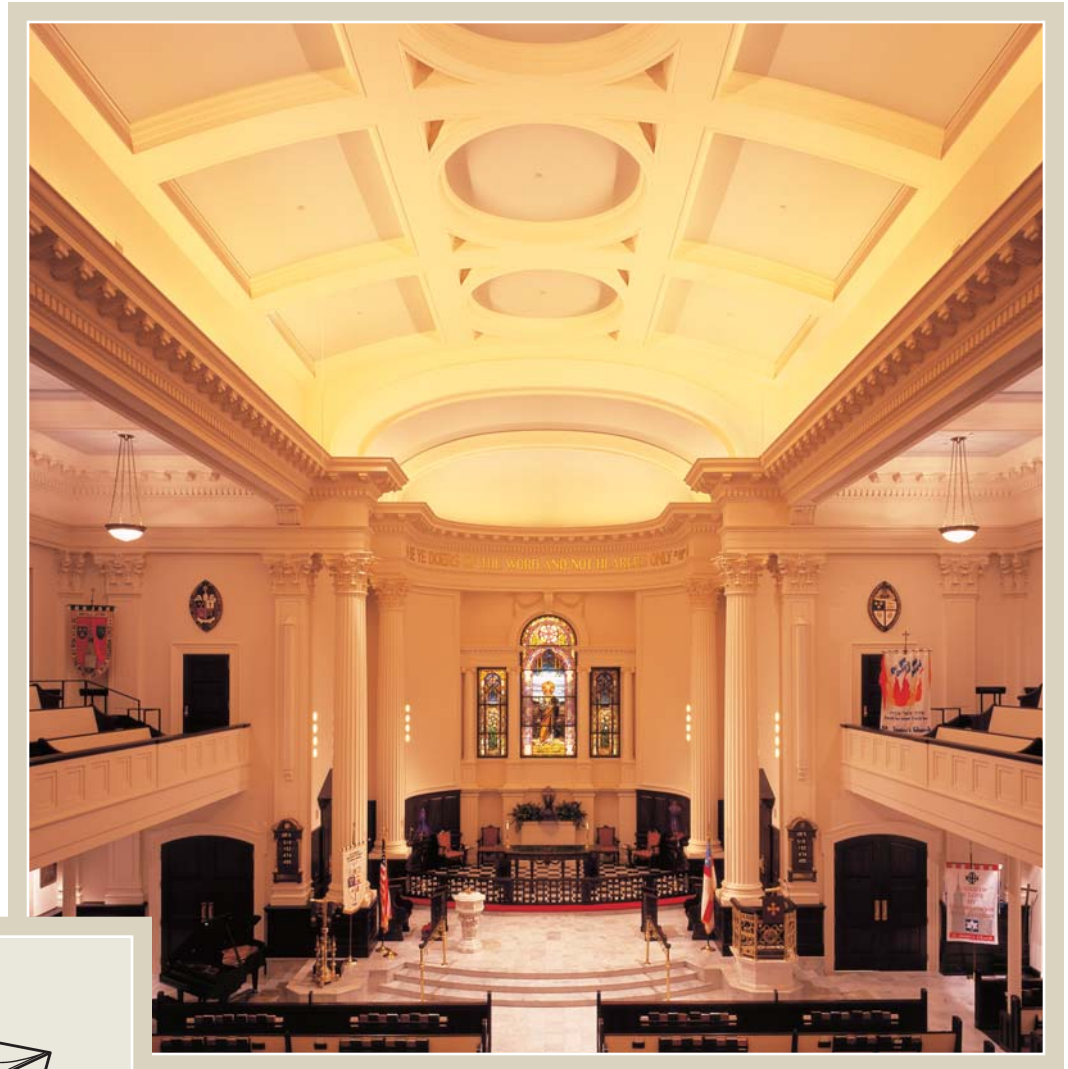
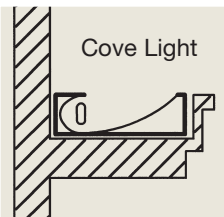
Project
St. James Episcopal Church
Richmond, Virginia

Architect
Marcellus Wright Cox & Smith, P.C.
Richmond, Virginia

Specifier
H.C. Yu & Associates, E.E.
Richmond, Virginia

Photographer
Christian Wildman
Richmond, Virginia

Lighting
255 BXCL, 110 watts



Ideal cove light for a standard cove with a large cove shelf.

System

Shallow, high performing cove fixture is made to lay directly into your large cove shelf. The superior reflector design smoothly illuminates the cove without unsightly socket shadows while projecting light out of the cove and into the space.



Specifications

Shallow surface mounted fluorescent cove light for use with Biax, T-5 & T-8 lamps. The fixture is 2-3/4" or 4-1/2" deep with ballast mounted in the housing. The one piece, formed reflector is TGIC polyester powder coated in matte white and is easily removable without tools for access to ballast and wiring. Reflector design illuminates the cove without unsightly socket shadows while projecting light out of the cove and into the space.

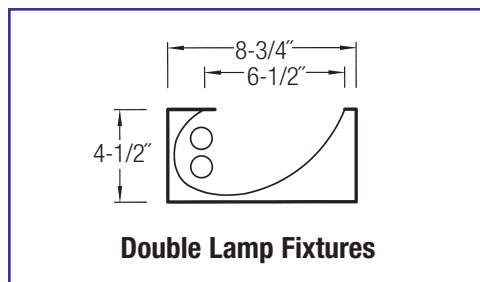
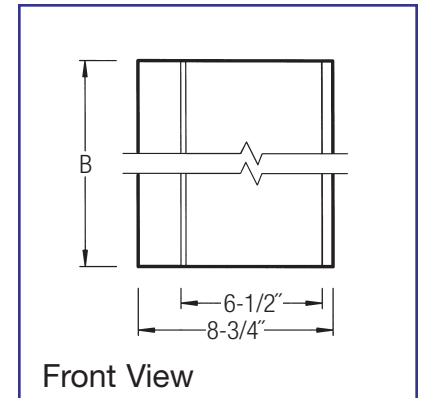
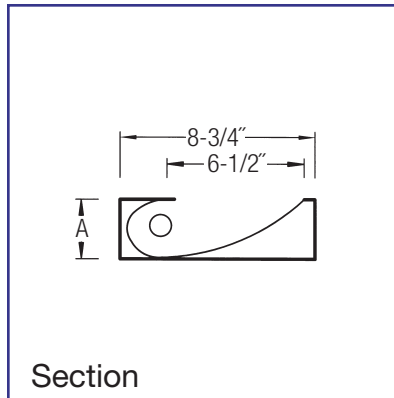
TGIC polyester powder coated housing is made of 22 gauge CRS with knock-outs provided at each end of fixture to allow for through wiring. All fluorescent fixtures are supplied standard with Luminaire Disconnect.

UL/CUL Damp Location listed.

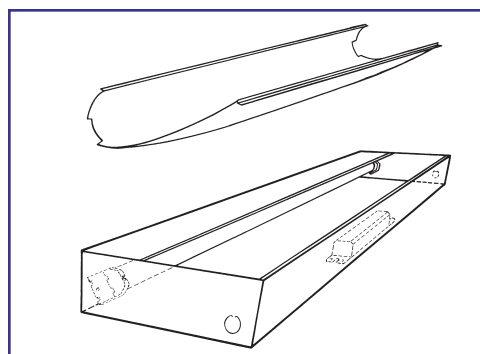
U.S. Patent #5,142,459

Options

- Ballast 120 or 277 HPF Electronic (Standard)
Dimming (Some models) -DM
Emergency (Some models) -EPP
- Finish White (Standard)
Anti-Microbial White -MB
- Lens Clear Lexan Full Lens -FL
Frosted Lexan Full Lens -FLF
- Louver Diffuse Silver Parallel Blade -LV



Double Lamp Fixtures



Model No.	A	B	Lamp
140 BXCL	2-3/4"	24"	40 watt Biax
150 BXCL	2-3/4"	24"	50 watt Biax
155 BXCL	2-3/4"	24"	55 watt Biax
240 BXCL	2-3/4"	48"	(2) 40 watt Biax
250 BXCL	2-3/4"	48"	(2) 50 watt Biax
255 BXCL	2-3/4"	48"	(2) 55 watt Biax
240 BXCL24*	4-1/2"	24"	(2) 40 watt Biax
250 BXCL24*	4-1/2"	24"	(2) 50 watt Biax
255 BXCL24*	4-1/2"	24"	(2) 55 watt Biax
440 BXCL*	4-1/2"	48"	(4) 40 watt Biax
450 BXCL*	4-1/2"	48"	(4) 50 watt Biax
455 BXCL*	4-1/2"	48"	(4) 55 watt Biax
114 T-5CL	2-3/4"	22-1/2"	14 watt T-5
214 T-5CL*	4-1/2"	22-1/2"	(2) 14 watt T-5
124 T-5CL	2-3/4"	22-1/2"	24 watt T-5 HO
224 T-5CL*	4-1/2"	22-1/2"	(2) 24 watt T-5 HO
121 T-5CL	2-3/4"	34-5/16"	21 watt T-5
221 T-5CL*	4-1/2"	34-5/16"	(2) 21 watt T-5
139 T-5CL	2-3/4"	34-5/16"	39 watt T-5 HO
239 T-5CL*	4-1/2"	34-5/16"	(2) 39 watt T-5 HO
128 T-5CL	2-3/4"	46-1/8"	28 watt T-5
228 T-5CL*	4-1/2"	46-1/8"	(2) 28 watt T-5
154 T-5CL	2-3/4"	46-1/8"	54 watt T-5 HO
254 T-5CL*	4-1/2"	46-1/8"	(2) 54 watt T-5 HO
117 T-8CL	2-3/4"	24"	17 watt T-8
125 T-8CL	2-3/4"	36"	25 watt T-8
132 T-8CL	2-3/4"	48"	32 watt T-8
217 T-8CL*	4-1/2"	24"	(2) 17 watt T-8
225 T-8CL*	4-1/2"	36"	(2) 25 watt T-8
232 T-8CL*	4-1/2"	48"	(2) 32 watt T-8

* Double lamp fixtures