

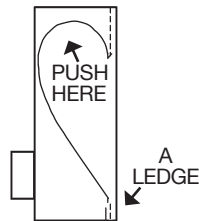
The ideal placement of our Low Level Floodlights for walkways would be between 18" and 24" from the walk to the bottom edge of the fixture.

FOR SUPPLY CONNECTIONS ENTERING THIS FIXTURE WITHIN 3 INCHES OF A BALLAST USE WIRE SUITABLE FOR AT LEAST 90° C

**\* INSTALLATION TO BE DONE IN ACCORDANCE WITH *NEC* AND APPLICABLE CODES \***

**ALUMINUM REFLECTOR CLEANING:** Clean reflector with soap & water or alcohol, i.e. Isopropyl Alcohol or other neutral PH factor solvents. Cleaning material should be non-abrasive. **DO NOT** use Ammonia & alkali solutions.

- 1. To remove the reflector,** push in towards housing on lamp side with your hand. This will dislodge the reflector from ledge (A) so you may pull it out.



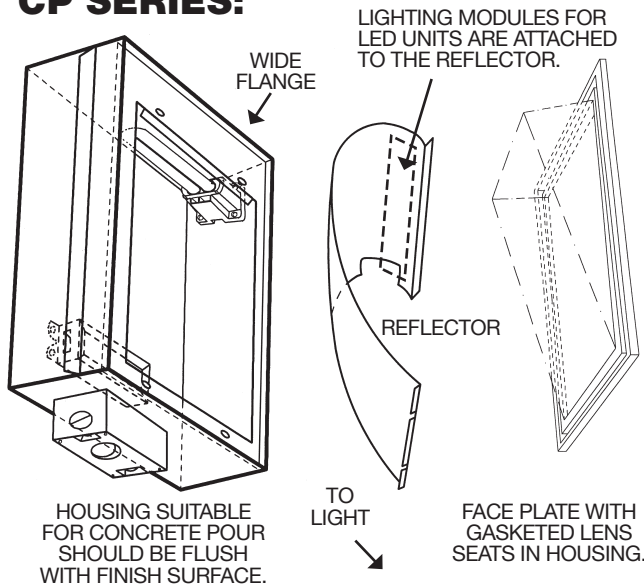
- 2. Locate the wide flange opposite the intended direction of light.** Secure the fixture to structure. Wire the fixture using a **watertight connector at the Bell Box.** Then **fill the conduit opening with silicone sealant at the connector.**

- 3. If the installer makes additional holes for mounting or wiring, they must be sealed with silicone.**

- 4. Fixture interior must be TOTALLY DRY before you close up and seal the fixture.**

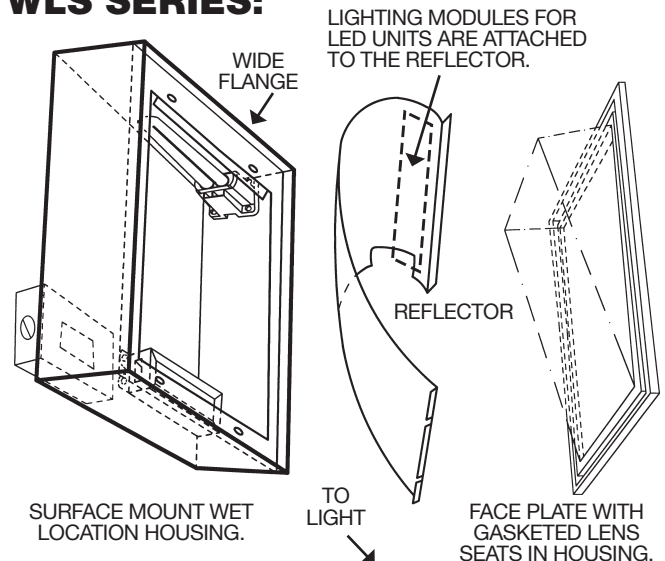
WHEN FINISH WORK IS COMPLETE – ASSEMBLE FIXTURE AS FOLLOWS:

### CP SERIES:



- 5. Contractor is responsible for the waterproof seal where the structure joins fixture.**
- 6. Remove protective peel from reflector, BEFORE LIGHTING, and squeeze it into the housing.**
- 7. Lamp and test the fixture.**
- 8. Use an "Anti Seize" compound to coat the threads of the screws that secure faceplate.**
- 9. Put a small amount of silicone in the screw holes in faceplate, then secure with screws.**

### WLS SERIES:



- 5. Contractor is responsible for the waterproof seal where the structure joins fixture.**
- 6. Remove protective peel from reflector, BEFORE LIGHTING, and squeeze it into the housing.**
- 7. Lamp and test the fixture.**
- 8. Use an "Anti Seize" compound to coat the threads of the screws that secure faceplate.**
- 9. Put a small amount of silicone in the screw holes in faceplate, then secure with screws.**

★ USE CAULKING/SILICONE SEALANT TO FINISH SEAL ON THE FIXTURE ★