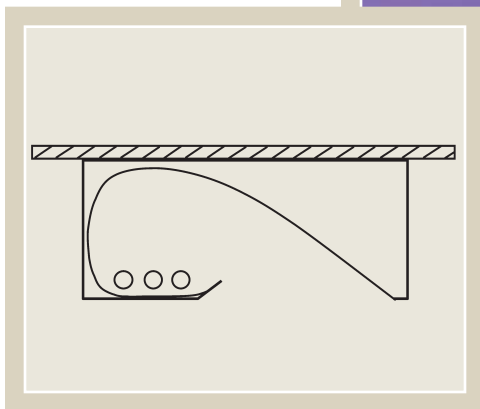


ELP

ENGINEERED LIGHTING
PRODUCTS

CWS SERIES

SURFACE Mount Indirect Color Wash Fixtures



“Wash” with color, utilizing (3) primary color T-5 HO lamps, that are individually controlled. Render pure white through a multitude of colors.

System

Surface mount indirect fixture creates interest and excitement by illuminating a surface with a variety of colors. It utilizes (3) primary color, red, green and blue T-5 HO rare earth phosphor lamps. Within the fixture, each lamp is individually controlled and dimmed, to allow a smooth even color range from white through a multitude of rainbow colors.



TYPE:

CATALOG #:

JOB:

Specifications

Surface Mount indirect fixture that illuminates a surface with a variety of colors. By utilizing red, green and blue T-5 HO rare earth phosphor lamps, color sleeves are not required. Each lamp is individually controlled with its own dimming ballast allowing adjustment to a particular color or changing colors with the appropriate controller. The result is a smooth, even color wash that can range from a mix for white, through a multitude of colors.

The formed reflector combines white diffuse with high-purity aluminum (99.9%) reflector material with 95% reflectance. It is easily removable without tools for access to the ballast and wiring. Fixture design provides complete lamp shielding from all angles and even, unscalped illumination.

The 6" deep, TGIC polyester powder coated housing is made of 22 gauge CRS with cover and knock-outs that provide quick wire access to the back of the fixture for through wiring. Fixtures are supplied standard with Luminaire Disconnect.

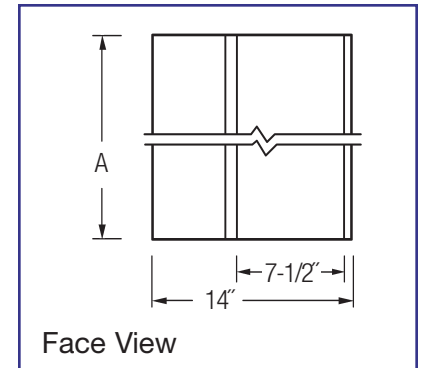
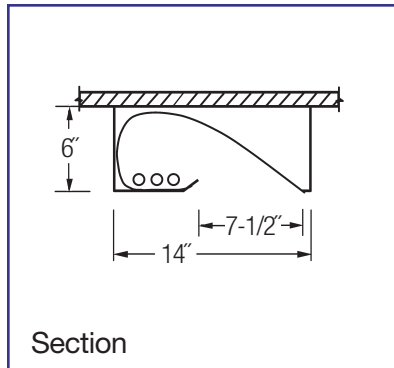
Continuous Mount – If the fixtures are being mounted in a continuous row add "CC" to the catalog number and provide row configuration. i.e.: (18) 354T5CWS-CC for (6) 12' rows.

Knock-outs will be provided between continuous fixtures for through wiring.

UL/CUL Damp Location Listed.

Options

Ballast	120 or 277 HPF Dimming (Standard) Specify Dimming Manufacturer
Finish	White (Standard) Custom-Custom
Reflector	Combo White/Diffuse (Standard) White -W
Louver	Diffuse Silver Parallel Blade -LV
Mounting	Surface J-Box (Standard) Canopy w/Stem -CS(FT of Stem) Ex. 354T5CWS-CS4



Model No.	A	* Lamps
324T5CWS	22-15/16"	(3) 24 w T-5 HO – Primary RED, GREEN & BLUE
354T5CWS	46-15/16"	(3) 54 w T-5 HO – Primary RED, GREEN & BLUE

* Required Primary Color Lamps for these fixtures (or equal):

Mfg.	Wattage/Color	Catalog #	Lumens
Philips	24 watt / Red	# F24T5/RED/HO	1540 Lumens
Philips	24 watt / Green	# F24T5/GREEN/HO	3000 Lumens
Philips	24 watt / Blue	# F24T5/BLUE/HO	600 Lumens
Philips	54 watt / Red	# F54T5/RED/HO	3800 Lumens
Philips	54 watt / Green	# F54T5/GREEN/HO	7590 Lumens
Philips	54 watt / Blue	# F54T5/BLUE/HO	1650 Lumens
Osram/Sylvania	54 watt / Red	# FP54REDHO	3450 Lumens
Osram/Sylvania	54 watt / Green	# FP54GREENHO	6300 Lumens
Osram/Sylvania	54 watt / Blue	# FP54BLUEHO	1200 Lumens