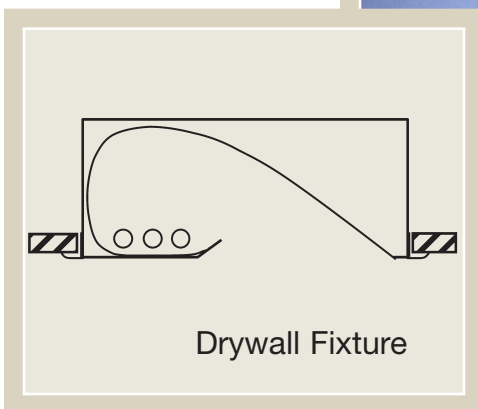


ELP

ENGINEERED LIGHTING
PRODUCTS

CW & CWTB SERIES

RECESSED Indirect Color Wash Fixtures
For Drywall and T-Bar



“Wash” with color, utilizing (3) primary color T-5 HO lamps, that are individually controlled. Render pure white through a multitude of colors.

System

Recessed indirect fixture creates interest and excitement by illuminating a surface with a variety of colors. It utilizes (3) primary color, red, green and blue T-5 HO rare earth phosphor lamps. Within the fixture, each lamp is individually controlled and dimmed, to allow a smooth even color range from white through a multitude of rainbow colors.



TYPE:
CATALOG #:
JOB:

RECESSED Indirect Color Wash Fixtures
For Drywall and T-Bar

Specifications

Recessed indirect fixture that illuminates a surface with a variety of colors. By utilizing red, green and blue T-5 HO rare earth phosphor lamps, color sleeves are not required. Each lamp is individually controlled with its own dimming ballast allowing adjustment to a particular color or changing colors with the appropriate controller. The result is a smooth, even color wash that can range from a mix for white, through a multitude of colors.

The formed reflector combines white diffuse with high-purity aluminum (99.9%) reflector material with 95% reflectance. It is easily removable without tools for access to the ballast and wiring. Fixture design provides complete lamp shielding from all angles and even, unscalped illumination.

The 6" deep, TGIC polyester powder coated housing is made of 22 gauge CRS with cover and knock-outs that provide quick wire access to the side or back of the fixture for through wiring. Fixtures are supplied standard with Luminaire Disconnect. Drywall trim is extruded aluminum.

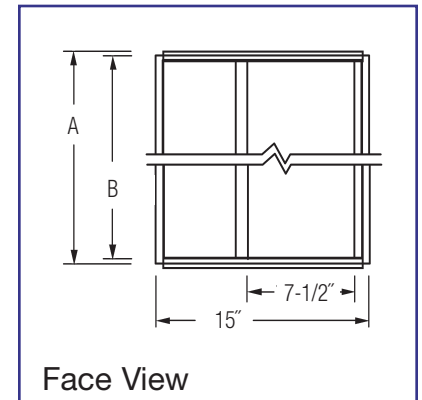
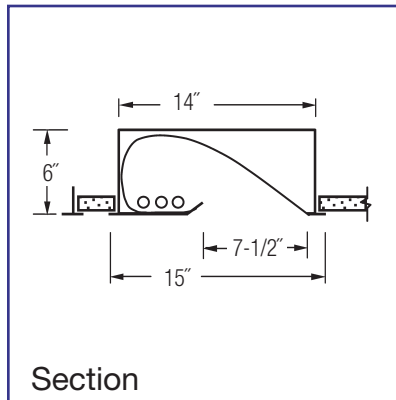
Continuous Mount – If the drywall fixtures are being mounted in a continuous row add "CC" (if in ceiling) to the catalog number and provide row configuration, so proper trims may be provided, i.e.: (18) 354T5CW-CC for (6) 12' rows.

Rough-in Dimensions = (Entire length of row, add all "B" lengths + 1/2") x 14-5/8"

Dimensions do not apply to Trimless installations.
UL/CUL Damp Location Listed.

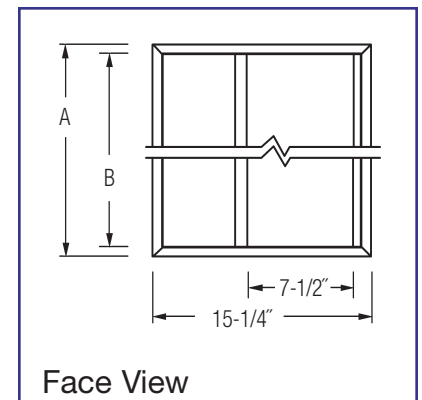
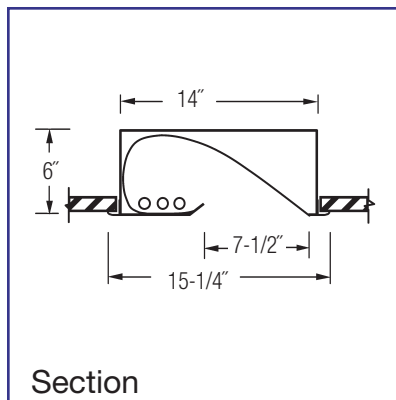
Options

- Ballast 120 or 277 HPF Dimming (Standard)
Specify Dimming Manufacturer
- Finish White (Standard)
Custom -Custom
- Reflector Combo White/Diffuse (Standard)
White -W
- Louver Diffuse Silver Parallel Blade -LV
- Trimless Gypsum/Drywall Installation -TLD
Plaster Installation -TLP
(See TRIMLESS sheet for dimensions)



CWTB SERIES for T-Bar Installations

Model No.	A	B	* Lamps
324T5CW-TB	23-7/8"	23-7/16"	(3) 24 w T-5 HO – Primary RED, GREEN & BLUE
354T5CW-TB	47-7/8"	47-7/16"	(3) 54 w T-5 HO – Primary RED, GREEN & BLUE



CW SERIES for Plaster or Drywall

Model No.	A	B	* Lamps
324T5CW	23-3/4"	22-1/2"	(3) 24 w T-5 HO – Primary RED, GREEN & BLUE
354T5CW	47-3/8"	46-1/8"	(3) 54 w T-5 HO – Primary RED, GREEN & BLUE

* Required Primary Color Lamps for these fixtures (or equal):

Mfg.	Wattage/Color	Catalog #	Lumens
Philips	24 watt / Red	# F24T5/RED/HO	1540 Lumens
Philips	24 watt / Green	# F24T5/GREEN/HO	3000 Lumens
Philips	24 watt / Blue	# F24T5/BLUE/HO	600 Lumens
Philips	54 watt / Red	# F54T5/RED/HO	3800 Lumens
Philips	54 watt / Green	# F54T5/GREEN/HO	7590 Lumens
Philips	54 watt / Blue	# F54T5/BLUE/HO	1650 Lumens
Osram/Sylvania	54 watt / Red	# FP54REDHO	3450 Lumens
Osram/Sylvania	54 watt / Green	# FP54GREENHO	6300 Lumens
Osram/Sylvania	54 watt / Blue	# FP54BLUEHO	1200 Lumens