

**ELP**

ENGINEERED LIGHTING  
PRODUCTS

## CONTINUOUS Row Fixtures

RECESSED Fixtures for Continuous Row Mount  
for Plaster or Drywall

Project  
Cole & Weber  
Seattle, Washington  
Specifier  
R.W. Swarens Associates  
El Monte, California  
Lighting  
(3) 240BXWW-AKCC  
for (1) 12' Continuous Row



*Individual fixture units may be mounted and trimmed, end to end for a continuous row of illumination.*

### System

Recessed fixtures in a continuous row for Plaster or Drywall installations. Trims and bracketing are provided for continuous row mounting within the same "Series" or mixing and matching with other complementary fixture types and "Series." Many linear recessed fixtures may be continuously mounted in the ceiling and additionally the AK and MP Series may also be continuously mounted in the wall.



# CONTINUOUS Row Fixtures

TYPE:  
CATALOG #:  
JOB:

RECESSED Fixtures for Continuous Row Mount  
for Plaster or Drywall

## Specifications

This sheet is to be used in conjunction with the catalog cut of the fixture "Series" being mounted in a continuous row. Many of ELP's linear recessed fixtures may be continuously mounted in the ceiling and additionally the AK and MP Series may also be continuously mounted in the wall. Housings are provided in nominal 2', 3', and 4' lengths and mounted end to end. Trims and bracketing are provided for continuous row mounting within the same "Series" or mixing and matching with other complementary fixture types and "Series." The drywall trim is extruded aluminum and is provided as indicated in ①.

### Continuous CEILING Mount: "CC" ②

Available for the following Series of fixtures:

AA, AAD, AAM, AK, CW, DL, DW, IW, MAXI & MP.

Complementary Series that may be mixed within rows:

<u>6' Wide Fixtures</u>	<u>8-1/2' Wide Fixtures</u>
AAM, DW, DL & MP	AK & AA

For continuous row mounting in the CEILING add "CC" to catalog number and provide row configuration, so proper trims may be supplied. If using with other "Series" fixtures, also provide fixture layout. Example:

(3) 450MR-16AAM-CC	} Continuous Row with "mixed" fixtures may NOT be done with "Trimless" option.
(6) 240BXDL-CC	
For (3) 10' Rows as DL/AAM/DL	

Rough-in Dimensions = (Entire length of row, add all housing lengths from Series cut sheet + 1/2") x (width of the housing from Series cut sheet + 5/8")

Dimensions do not apply to Trimless installations.

### Continuous WALL Mount: "CW" ③

Available for the following Series of fixtures:  
AK & MP.

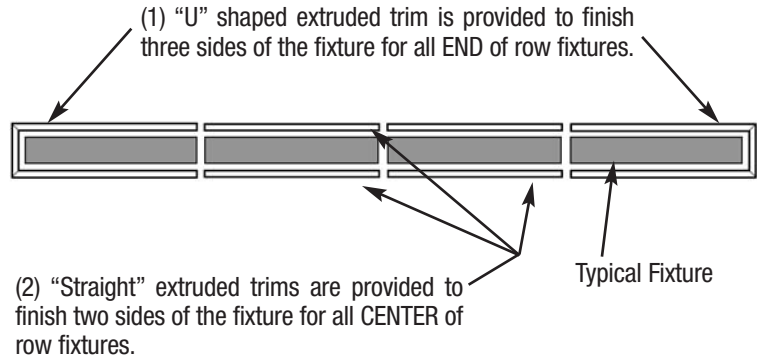
For continuous row mounting in the WALL add "CW" to catalog number and provide row configuration, so proper trims may be supplied. Example:

(18) 240BXWW-AK CW  
For (3) 24' Rows

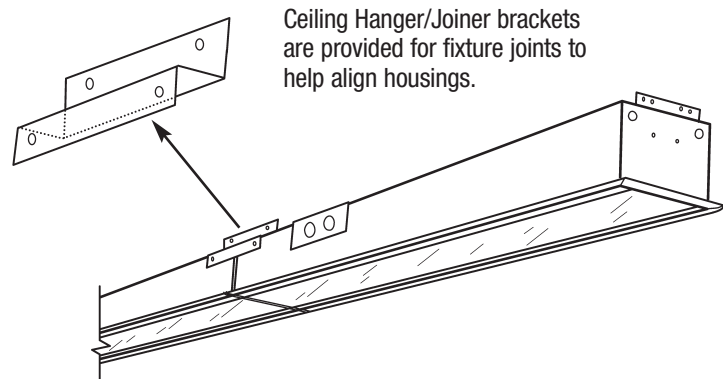
Rough-in Dimensions = (Entire length of row, add all housing lengths from Series cut sheet + 1/2") x (width of the housing from Series cut sheet + 5/8")

Dimensions do not apply to Trimless installations.

### ① Trims for Continuous Row Mounting:



### ② CEILING - Continuous Row Mounting:



### ③ WALL - Continuous Row Mounting:

