

INSTALLATION INSTRUCTIONS

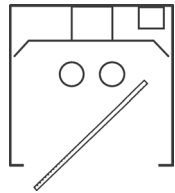
DLTB SERIES T-Bar Mounting

Down Lights can be used alone or mix and matched with our AAMTB Series Adjustable Accent Lights or our DWTB or MPTB Series Wall Washers.

FOR SUPPLY CONNECTIONS ENTERING THIS FIXTURE USE WIRE SUITABLE FOR AT LEAST 90° C

* INSTALLATION TO BE DONE IN ACCORDANCE WITH *NEC* AND APPLICABLE CODES *

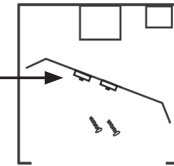
1. Remove the "Lift & Shift" lens that sits on the edge of the housing by tilting it up at an angle to maneuver it out of the face of the fixture.



LIFT & SHIFT LENS

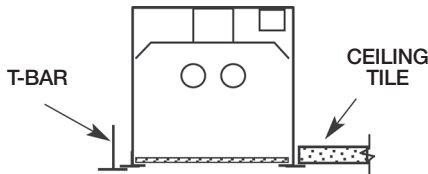
2. Remove the Reflector by removing the screws, for access to the ballast or LED driver.

CAREFUL!! LED Version has LEDs attached to the reflector!



RELEASE REFLECTOR WITH SCREWS

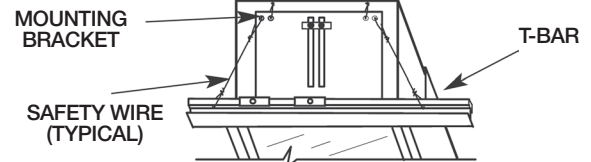
3. The flanges along the length of the fixture may either sit on the T-Bar or support a ceiling tile.



T-BAR

CEILING TILE

4. For most installations secure fixture to T-Bar (typical as shown). To correct fixture height, adjust the mounting brackets with the screws inside the fixture.



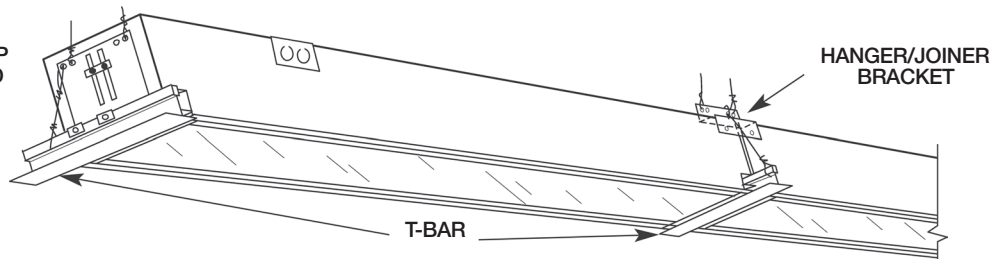
MOUNTING BRACKET

T-BAR

SAFETY WIRE (TYPICAL)

5. For end to end installations with the step-end fixture for T-8 lamp, Hanger/Joiner brackets are required at the butting ends. Hang the fixture at the correct height then secure. (5 in row MAX.)

DLTB SERIES "STEP-END" T-8 LAMP FIXTURES MOUNTED END TO END

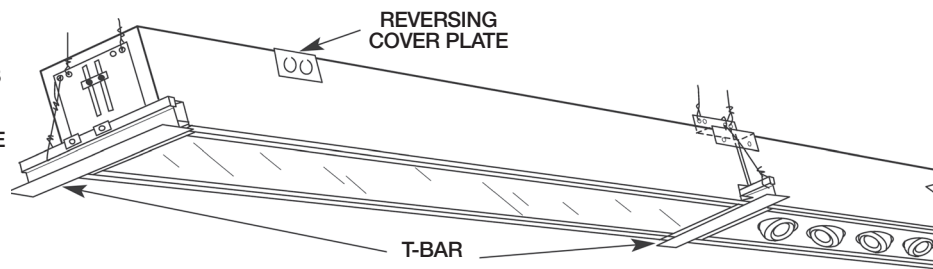


HANGER/JOINER BRACKET

T-BAR

6. Fixtures may be mixed and matched with our AAMTB Series Adjustable Accent Lights or our DWTB or MPTB Series Wall Washers.

DLTB SERIES "STEP-END" T-8 LAMP FIXTURE & AAMTB SERIES FIXTURE MOUNTED END TO END



REVERSING COVER PLATE

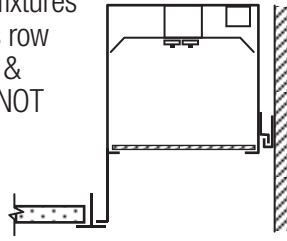
T-BAR

7. Attach the conduit to the K.O.s in the cover plate and make with connections. **Note: the DLTB Series fixtures have a reversing cover plate that will allow you to make connections from the side or the back of the housing.**

REPLACING THE LENS SHOULD BE THE LAST STEP AFTER ALL FINISH WORK IS DONE.



DLTB Series Down Light fixtures mounted in a Continuous row at the wall, utilizing 2', 3' & 4' fixtures. System does NOT provide corners.



INSTALLATION INSTRUCTIONS

DLTB SERIES– Continuous Slot T-Bar Mounting for Recessed Slot

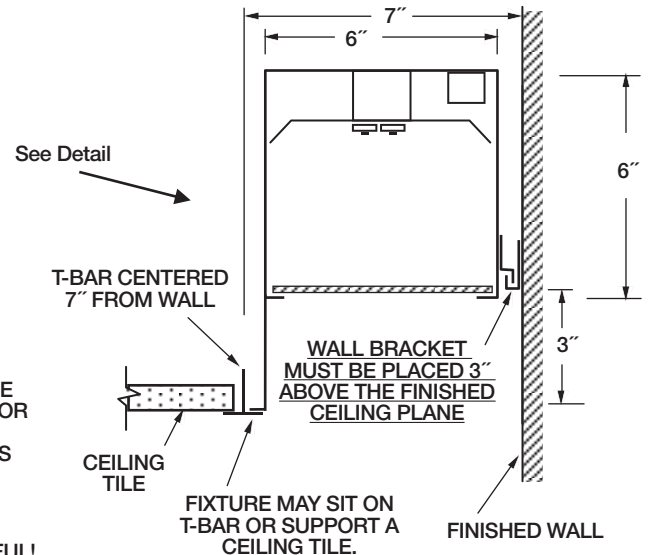
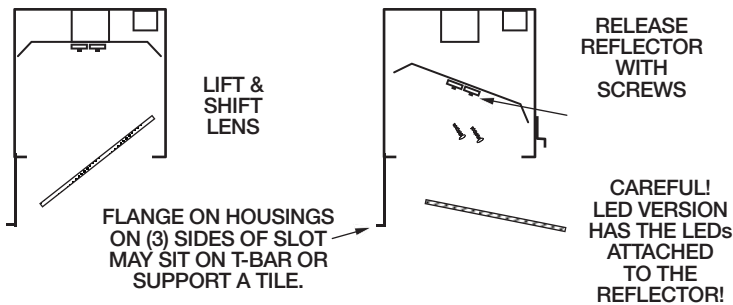
FOR SUPPLY CONNECTIONS ENTERING THIS FIXTURE USE WIRE SUITABLE FOR AT LEAST 90° C

*** INSTALLATION TO BE DONE IN ACCORDANCE WITH *NEC* AND APPLICABLE CODES ***

1. Wall mounting bracket and Fixture placement should align against the wall and T-Bar per detail if you are framing the slot with T-Bar.

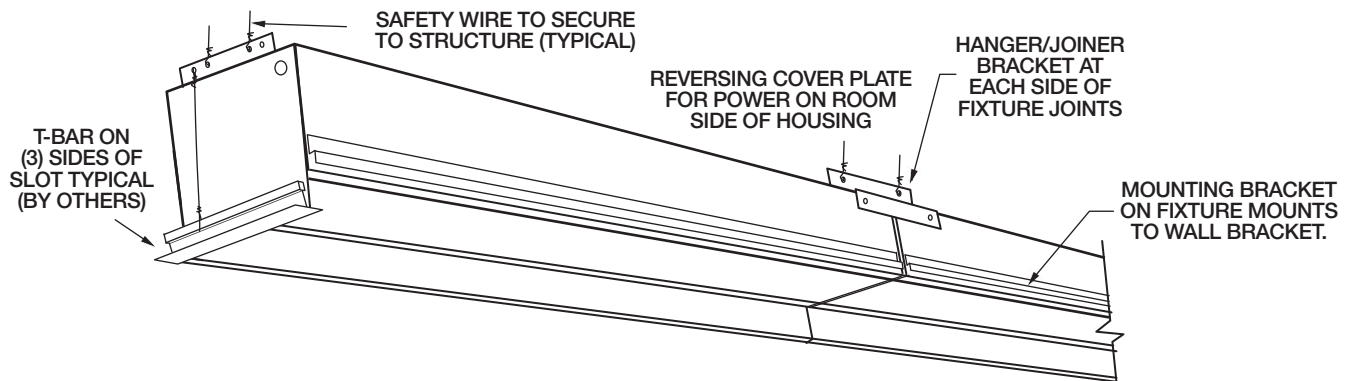
Fixtures must be installed so that the bottom edge of the Housing is at the finish ceiling plane.

2. Remove the "Lift & Shift" lens that sits on the ledge in the housing by tilting it up at an angle to maneuver it out of the face of the fixture. Remove the Reflector by removing the screws, for access to the driver.



Wall mounting bracket and Fixture placement should align against the wall and framing per detail.

3. Fixtures for T-Bar "Wall Slot" "Wall Slot" installations are provided with wall bracket to attach fixture at the wall. Fixtures mount end to end along the wall and are most often framed by the T-Bar on the remaining three sides as detailed above. Secure the fixture to the T-Bar and structure per local codes (typical as shown). Make wire connections through K.O.s in the cover plate. Reversing cover plate allows power connection from the side or top of fixture. Through wiring holes are provided in fixture housing end plates.



REPLACING THE LIFT & SHIFT LENS SHOULD BE THE LAST STEP AFTER PAINTING AND FINISH WORK