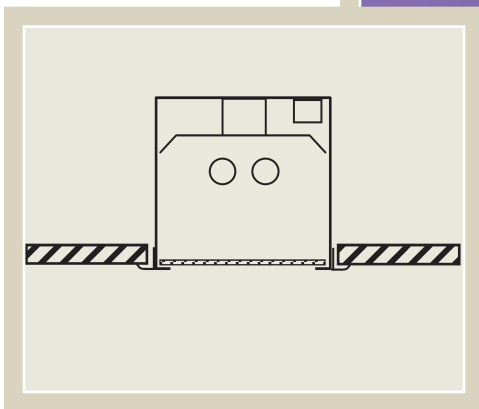


ELP

ENGINEERED LIGHTING
PRODUCTS

DL & DLTB SERIES

RECESSED Down Light Fixtures
For Drywall and T-Bar



Sleek down lights that can be used individually, or mixed and matched with ELP's wall wash and/or adjustable accent fixtures.

System

Recessed down light fixtures for T-Bar, Plaster or Drywall installations. The down lights can be used alone or may be mixed and matched with the ELP Adjustable Accent Modular (AAM Series) and/or Wall Wash (DW or MP Series) fixtures.



RECESSED Down Light Fixtures for Drywall and T-Bar

Specifications

Recessed down light fixtures for T-Bar or Drywall installations, utilizing 40, 50 and 55 watt Biax, T-5 or T-8 lamps. They can be used alone or may be mixed and matched with the ELP Adjustable Accent Modular (AAM Series) and/or Wall Wash (DW or MP Series) fixtures. All electrical components are accessible through the fixture opening.

The weld construction housing is 22 gauge CRS and post painted with TGIC polyester powder coating. Cover and knock-outs provide quick wire access to the side or back of the fixture for through wiring. The formed matte white reflector is easily removable for access to the ballast and wiring. Fixtures are supplied standard with Luminaire Disconnect and frosted "lift and shift" acrylic lens. Drywall trim is extruded aluminum.

Continuous Mount – If the drywall fixtures are being mounted in a continuous row, add "CC" to catalog number and provide row configuration, so proper trims may be supplied. If using with other "Series" fixtures, also provide fixture layout. Example:

(3) 450MR-16AAM-CC

(6) 240BXDL-CC

For (3) 10' Rows as DL/AAM/DL

Rough-in Dimensions = (Entire length of row, add all "B" lengths + 1/2") x 6- 5/8"

Dimensions do *not* apply to Trimless installations.

UL/CUL Damp Location Listed.

Options

Ballast 120 or 277 HPF Electronic (Standard)
Dimming (Most models) -DM
Emergency -EPP

Finish White (Standard)
Anti-Microbial White -MB
Custom -Custom

Lens Frosted Acrylic (Standard)
Milk White Acrylic -FLMW

Louver Silver Parallel Blade (w/NO Lens) -LV
Louver & Milk White Lens -MLMW-LV
Louver & Frosted Lens -MLF-LV

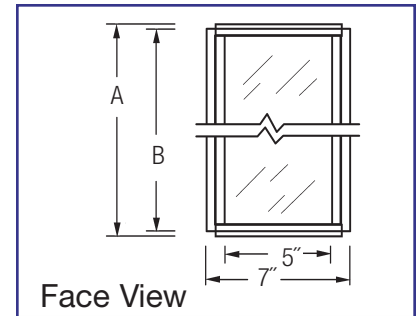
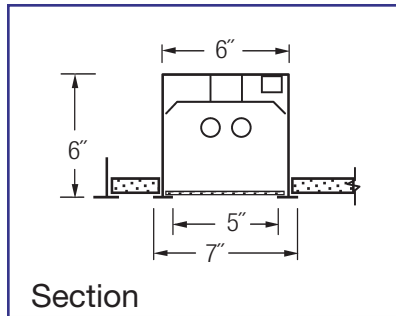
Trimless Gypsum/Drywall Installation -TLD
Plaster Installation -TLP
(See TRIMLESS sheet for dimensions)

Hospital Hospital Grade (Drywall only) -HG
(Full Lens; Gasket; Anti-Microbial Paint)

* No more than 5 in a row.

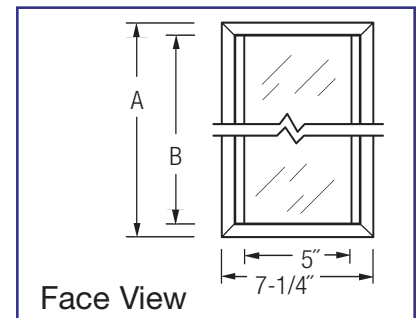
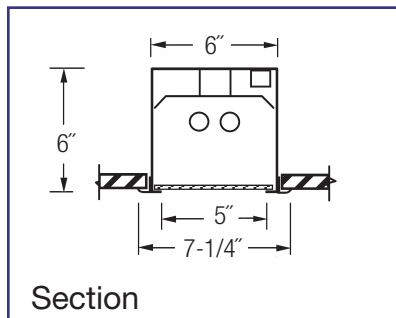
† For a single lamp unit. Change the first number to "1."

‡ NOTE: Standard T-5 lamps are available for:
2' fixture, change "24" to "14" or 4' fixture,
change "54" to "28."



DLTB SERIES for T-Bar Installations

Model No.	A	B	Lamps
140BXDL-TB	23-7/8"	23-7/16"	40 watt Biax
150BXDL-TB	23-7/8"	23-7/16"	50 watt Biax
155BXDL-TB	23-7/8"	23-7/16"	55 watt Biax
240 BXDL-TB2	23-7/8"	23-7/16"	(2) 40 watt Biax
250 BXDL-TB2	23-7/8"	23-7/16"	(2) 50 watt Biax
255 BXDL-TB2	23-7/8"	23-7/16"	(2) 55 watt Biax
240 BXDL-TB	47-7/8"	47-7/16"	(2) 40 watt Biax
250 BXDL-TB	47-7/8"	47-7/16"	(2) 50 watt Biax
255 BXDL-TB	47-7/8"	47-7/16"	(2) 55 watt Biax
440 BXDL-TB	47-7/8"	47-7/16"	(4) 40 watt Biax
450 BXDL-TB	47-7/8"	47-7/16"	(4) 50 watt Biax
455 BXDL-TB	47-7/8"	47-7/16"	(4) 55 watt Biax
224 T-5DL-TB † ‡	23-7/8"	23-7/16"	(2) 24 watt T-5 HO
254 T-5DL-TB † ‡	47-7/8"	47-7/16"	(2) 54 watt T-5 HO
217 T-8DL-TB (add "C" if mounting end to end) * †	24"	23-7/16"	(2) 17 watt T-8
232 T-8DL-TB (add "C" if mounting end to end) * †	48"	47-7/16"	(2) 32 watt T-8



DL SERIES for Plaster or Drywall Installations

Model No.	A	B	Lamps
140BXDL	24-3/16"	22-15/16"	40 watt Biax
150BXDL	24-3/16"	22-15/16"	50 watt Biax
155BXDL	24-3/16"	22-15/16"	55 watt Biax
240 BXDL2	24-3/16"	22-15/16"	(2) 40 watt Biax
250 BXDL2	24-3/16"	22-15/16"	(2) 50 watt Biax
255 BXDL2	24-3/16"	22-15/16"	(2) 55 watt Biax
240 BXDL	48-3/16"	46-15/16"	(2) 40 watt Biax
250 BXDL	48-3/16"	46-15/16"	(2) 50 watt Biax
255 BXDL	48-3/16"	46-15/16"	(2) 55 watt Biax
440 BXDL	48-3/16"	46-15/16"	(4) 40 watt Biax
450 BXDL	48-3/16"	46-15/16"	(4) 50 watt Biax
455 BXDL	48-3/16"	46-15/16"	(4) 55 watt Biax
224 T-5DL † ‡	24-3/16"	22-15/16"	(2) 24 watt T-5 HO
254 T-5DL † ‡	48-3/16"	46-15/16"	(2) 54 watt T-5 HO
217 T-8DL †	25-1/4"	24"	(2) 17 watt T-8
232 T-8DL †	49-1/4"	48"	(2) 32 watt T-8