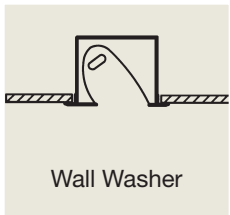


ELP

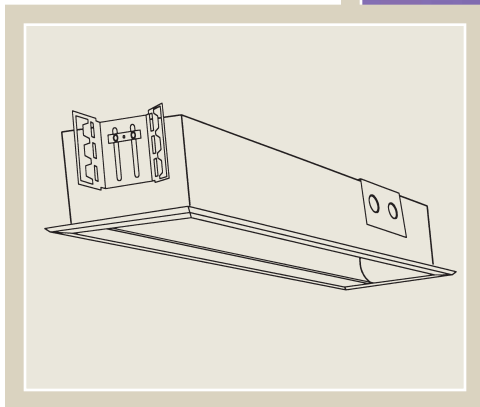
ENGINEERED LIGHTING
PRODUCTS

DW SERIES

RECESSED Display Wall Washer
For Plaster or Drywall



Wall Washer



*Ideal placement is 8" to 12"
from the front edge of fixture
to the surface you are lighting,
for 8' to 10' ceilings.*

System

Narrow, wall wash fixtures specifically designed for close placement to the surface to be illuminated (less than 2'). The formed, high purity aluminum reflectors supply a strong vertical throw of light to smooth the brightness at the top of the wall and provide even, unscalped illumination.



TYPE:
CATALOG #:
JOB:

RECESSED Display Wall Washer
For Plaster or Drywall

Specifications

Narrow, recessed fluorescent wall washer for use with Biax, T-5 & T-8 lamps. Strong vertical throw of light allows the fixture to be placed closer to the wall than a typical wall wash unit. The one-piece, formed reflector is high-purity aluminum (99.9%) with 95% reflectance. It is easily removable without tools for access to the ballast and wiring. Reflector design provides even unscalped illumination with no glare and offers exceptional lamp shielding from the normal viewing angle.

TGIC polyester powder coated housing is made of 22 gauge CRS with cover and knock-outs that provide quick wire access to side or back of fixture through wiring. All fluorescent fixtures are supplied standard with Luminaire Disconnect. Trim is extruded aluminum.

Continuous Mount – If fixtures are being mounted in a continuous row in the ceiling, add “CC” to catalog number and provide row configuration, so proper trims may be provided. i.e.:

(18) 240BXDW -CC for (6) 12’ rows.

Rough-In Dimension = (Entire length of row, add all “B” lengths + 1/2’) x 6-5/8’.

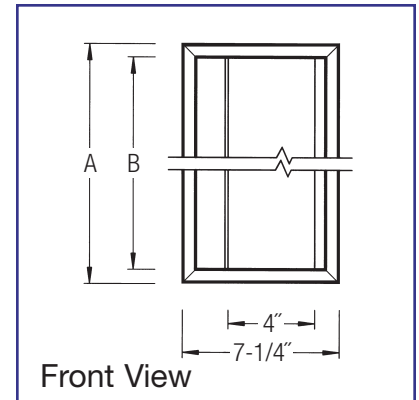
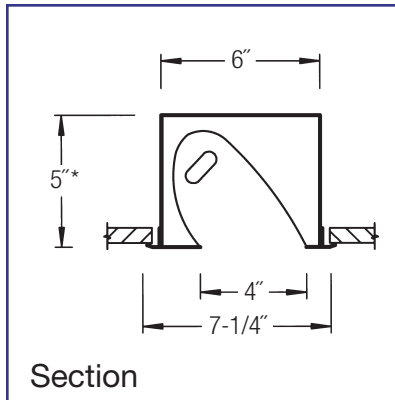
Dimensions do *not* apply to Trimless installations.

UL/CUL Damp Location listed.

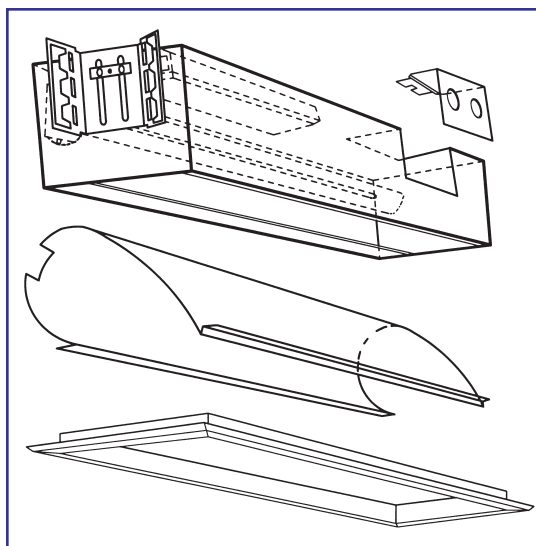
U.S. Patent #5,142,459

Options

Ballast	120 or 277 HPF Electronic (Standard) Dimming (Some models) -DM Emergency (Some models) -EPP
Finish	White (Standard) Anti-Microbial White -MB Custom -Custom
Lens	Clear Lexan Mini Lens -ML Frosted Lexan Mini Lens -MLF Clear Lexan Full Lens -FL** Frosted Lexan Full Lens -FLF**
Louver	Diffuse Silver Parallel Blade -LV
Mounting	Individual Gypsum Recessed (Standard) Continuous Row (see above) -CC (See Continuous Wall Wash Instructions, Requires row lengths, i.e. (6) 12’ Rows) Continuous Wall Slot -SLOT (See Slot Instructions, no corners Requires row lengths, i.e. (6) 12’ Rows)
Reflectors	Diffuse Silver (Standard, except T-5) Specular Silver -SP Painted White (Standard for T-5) -W
Trimless	Gypsum/Drywall Installation -TLD Plaster Installation -TLP (See TRIMLESS sheet for dimensions)
Hospital	Hospital Grade Features -HG (Full Lens; Gasket; Anti-Microbial Paint)



Model No.	A	B	Rough-in Dimensions	Lamp
140 BXDW	24-3/16"	22-15/16"	6-5/8" x 23-1/2"	40 watt Biax
150 BXDW	24-3/16"	22-15/16"	6-5/8" x 23-1/2"	50 watt Biax
155 BXDW	24-3/16"	22-15/16"	6-5/8" x 23-1/2"	55 watt Biax
240 BXDW	48-3/16"	46-15/16"	6-5/8" x 47-1/2"	(2) 40 watt Biax
250 BXDW	48-3/16"	46-15/16"	6-5/8" x 47-1/2"	(2) 50 watt Biax
255 BXDW	48-3/16"	46-15/16"	6-5/8" x 47-1/2"	(2) 55 watt Biax
114 T-5DW-W	24-3/16"	22-15/16"	6-5/8" x 23-1/2"	14 watt T-5
124 T-5DW-W	24-3/16"	22-15/16"	6-5/8" x 23-1/2"	24 watt T-5 HO
121 T-5DW-W	37-1/4"	36"	6-5/8" x 36-1/2"	21 watt T-5
139 T-5DW-W	37-1/4"	36"	6-5/8" x 36-1/2"	39 watt T-5 HO
128 T-5DW-W	48-3/16"	46-15/16"	6-5/8" x 47-1/2"	28 watt T-5
154 T-5DW-W	48-3/16"	46-15/16"	6-5/8" x 47-1/2"	54 watt T-5 HO
117 T-8DW	25-1/4"	24"	6-5/8" x 24-1/2"	17 watt T-8
125 T-8DW	37-1/4"	36"	6-5/8" x 36-1/2"	25 watt T-8
132 T-8DW	49-1/4"	48"	6-5/8" x 48-1/2"	32 watt T-8



* 6" Ht. when provided in continuous row with AAM or DL Series.

** Full Lens Option is not available for Continuous mount units (end to end rows).