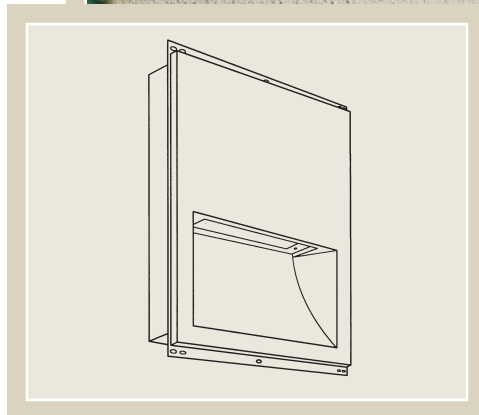
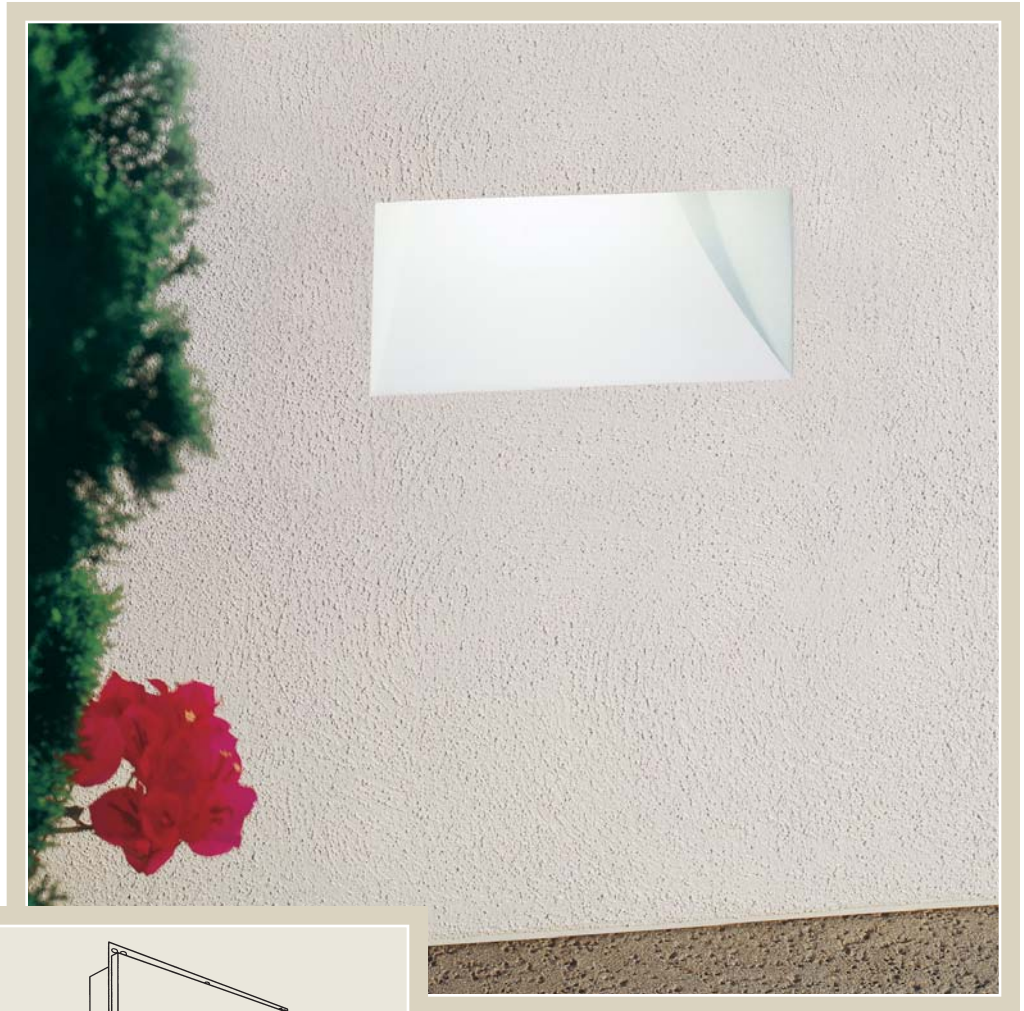
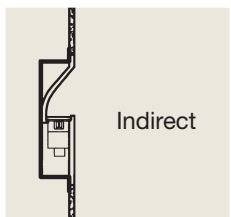
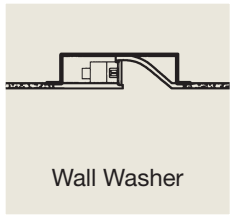


HITW-EX SERIES

ELP

ENGINEERED LIGHTING
PRODUCTS

RECESSED Hole In The Wall Light Niche
For Exterior Stucco or Concrete Pour Construction



*Ideal placement is
18" to 30" from the
bottom edge of fixture
to the ground.*

System

Wet Location low level floodlights. These FRP (Fiber Reinforced Polymer) cast composite fixtures become part of the architecture. Shallow recess depth (4") allows easy incorporation into exterior walls. Once installed, they look like a custom formed "light niche" that blends with any exterior motif.



TYPE:
CATALOG #:
JOB:

RECESSED Hole In The Wall Light Niche
For Exterior Stucco or Concrete Pour Construction

Specifications

Recessed fixture for use with several compact fluorescent, incandescent, halogen and LED lamping options. The cast fixture houses a ballast box with heat sink that includes wiring, socket, ballast and reflector. Incandescent fixture also has thermal protector. Fluorescent fixtures provide knock-outs for through wiring. All fluorescent fixtures are supplied standard with Luminaire Disconnect.

Casting is secured to the 20 gauge electro-plated galvanized steel fixture back box and a 18 gauge electro-plated galvanized steel frame with lens and silicone gaskets seal the lamp compartment.

Frame, ballast box, and fixture back box are TGIC polyester powder coated. Composite casting is water and high impact resistant. Use "Weld-crete" to finish surface to match exterior stucco.

UL/CUL Wet Location and concrete pour listed.

Options

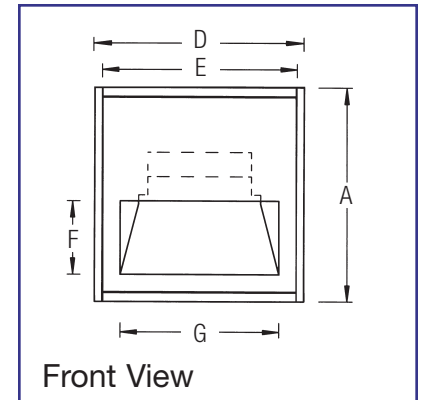
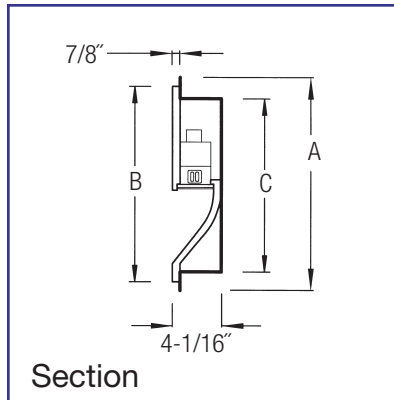
- Ballast Low Temp 120 or 277 HPF Electronic (Standard)
- Lens Supplied Standard as shown:
 ① Flat Acrylic -FL (Some Models)
 ② Flat Polycarbonate -FL-LEX (Some Models)
 ③ Flat Tempered Glass -TGL (Available All Models)

Note: HITW-EX Series fixtures project less than 5% of fixture lumens higher than 90 degrees from nadir (straight down) and in Zones LZ3 & LZ4 can contribute to:

LEED Sustainable Site Credit 8:

Light Pollution Reduction – 1 point

See Installation Instructions.



Model No.	A	B	C	D	E	F	G	Lens	Lamp
125HAL-HITW-EX-4x6	13-1/2"	12"	10"	10-1/8"	8-5/8"	4"	5-5/8"	③	25 watt T-4 Halogen,G9
110IN-HITW-EX-4x6	13-1/2"	12"	10"	10-1/8"	8-5/8"	4"	5-5/8"	③	10 watt C7 Inc. Nightlight
11C-HITW-EX-4x6	13-1/2"	12"	10"	10-1/8"	8-5/8"	4"	5-5/8"	①	1 CCT White LED
22C-HITW-EX-4x6	13-1/2"	12"	10"	10-1/8"	8-5/8"	4"	5-5/8"	①	2 CCT White/Amber LED
120IN-HITW-EX-6x13	17-1/2"	16"	14-1/4"	17-1/2"	16"	6"	13"	③	20 watt Mini Can Inc.
160IN-HITW-EX-6x13	17-1/2"	16"	14-1/4"	17-1/2"	16"	6"	13"	③	60 watt T-10 Inc.
113 PL-HITW-EX-6x13	17-1/2"	16"	14-1/4"	17-1/2"	16"	6"	13"	②	13 watt PL
126 QD-HITW-EX-6x13	17-1/2"	16"	14-1/4"	17-1/2"	16"	6"	13"	③	26 watt Quad
118 TT-HITW-EX-8x8	17-1/2"	16"	14-1/4"	17-1/2"	16"	8"	8"	②	18 watt Triple Tube
126 TT-HITW-EX-8x8	17-1/2"	16"	14-1/4"	17-1/2"	16"	8"	8"	③	26 watt Triple Tube

NOTE: All fluorescent fixtures have electronic ballast with -20° starting temperature.

Installation should be coordinated between electrician and exterior finish contractor. The exterior finish contractor must provide waterproof seal where fixture joins the building.

