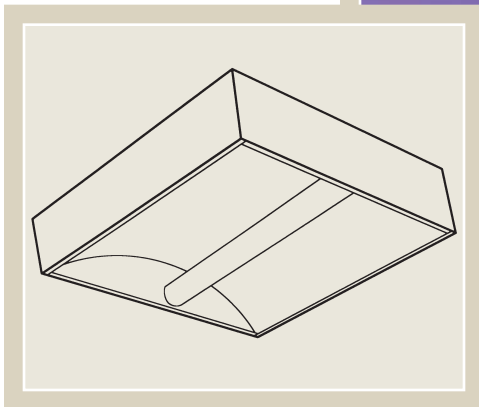
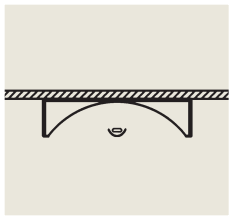


**ELP**

ENGINEERED LIGHTING  
PRODUCTS

## IDS SERIES

SURFACE Mount Indirect  
1' x 1', 1' x 2', 1' x 4', 2' x 2' and 2' x 4'



*Specifically designed for computer environments where low reflector brightness is essential.*

### **System**

Fixtures are engineered to provide comfortable indirect lighting for computer environments, mounted at 8' to 10' height. Reflector design assures no high angle brightness above 55°, to minimize reflected glare in computer monitors while maintaining low contrast ratios.



TYPE:  
 CATALOG #:  
 JOB:

**SURFACE Mount Indirect**  
 1' x 1', 1' x 2', 1' x 4', 2' x 2' and 2' x 4'

**Specifications**

Surface mounted, indirect 1' x 1', 1' x 2', 1' x 4', 2' x 2' and 2' x 4' fluorescent fixtures. Available as a single or double lamp unit for use with the 26 watt Quad, the 18, 40, 50 or 55 watt Biax, T-8 and T-5 linear lamps. The 6" deep housing has the lamp(s) centered at the bottom plane of the fixture which is shielded such that the lamp is not visible from any angle below the fixture.

Specifically designed for computer environments where low reflector brightness is essential. The reflector is diffuse silver, high purity aluminum with a stepped cross-section. Concise 0.10" steps have a sharp return angle that presents a clean light cut-off at each step. Formed reflector will allow no brightness in the area above 550 that exceeds an average of 800 footlamberts. The reflector is easily removable for access to the ballast and wiring.

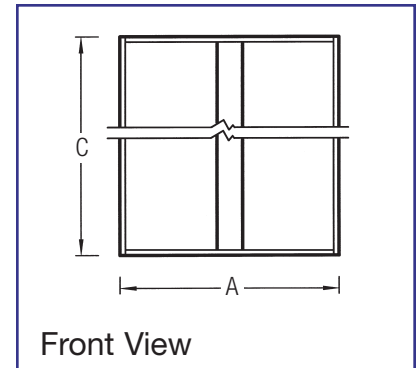
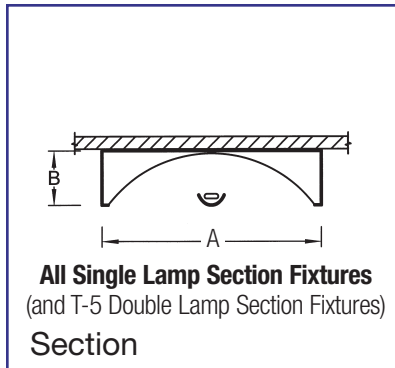
The spot weld construction housing is 22 gauge CRS and is post painted with a TGIC polyester powder coat. Cover and knock-outs provided for pull-through conductors with wiring space available within fixture. All fluorescent fixtures are supplied standard with Luminaire Disconnect.

UL/CUL Damp Location listed.

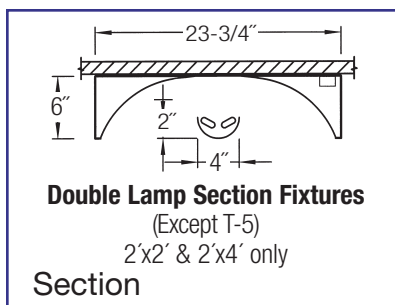
**U.S. Patent #5,988,836**

**Options**

- Ballast 120 or 277 HPF Electronic (Standard)  
 Dimming (Some models) -DM  
 Emergency (Some models) -EPP
- Finish White (Standard)  
 Custom -Custom
- Reflector Stepped Silver (Standard)  
 Diffuse Silver -DS
- Lamp Shield Indirect (Standard)  
 Indirect/Direct -PB
- Mini Lens Clear Lexan Dust Cover -ML



Model No.	A	B	C	Lamp
126 QDIDS1	11-3/4"	6"	11-3/4"	26 watt Quad
118 BXIDS1	11-3/4"	6"	11-3/4"	18 watt Biax
140 BXIDS1	11-3/4"	6"	23-3/4"	40 watt Biax
150 BXIDS1	11-3/4"	6"	23-3/4"	50 watt Biax
155 BXIDS1	11-3/4"	6"	23-3/4"	55 watt Biax
240 BXIDS1	11-3/4"	6"	47-3/4"	(2) 40 watt Biax
250 BXIDS1	11-3/4"	6"	47-3/4"	(2) 50 watt Biax
255 BXIDS1	11-3/4"	6"	47-3/4"	(2) 55 watt Biax
140 BXIDS	23-3/4"	6"	23-3/4"	40 watt Biax
150 BXIDS	23-3/4"	6"	23-3/4"	50 watt Biax
155 BXIDS	23-3/4"	6"	23-3/4"	55 watt Biax
240 BXIDS2*	23-3/4"	6"	23-3/4"	(2) 40 watt Biax
250 BXIDS2*	23-3/4"	6"	23-3/4"	(2) 50 watt Biax
255 BXIDS2*	23-3/4"	6"	23-3/4"	(2) 55 watt Biax
240 BXIDS	23-3/4"	6"	47-3/4"	(2) 40 watt Biax
250 BXIDS	23-3/4"	6"	47-3/4"	(2) 50 watt Biax
255 BXIDS	23-3/4"	6"	47-3/4"	(2) 55 watt Biax
440 BXIDS*	23-3/4"	6"	47-3/4"	(4) 40 watt Biax
450 BXIDS*	23-3/4"	6"	47-3/4"	(4) 50 watt Biax
455 BXIDS*	23-3/4"	6"	47-3/4"	(4) 55 watt Biax
124 T-5IDS1	11-3/4"	6"	23-3/4"	24 watt T-5 HO
154 T-5IDS1	11-3/4"	6"	47-3/4"	54 watt T-5 HO
124 T-5IDS	23-3/4"	6"	23-3/4"	24 watt T-5 HO
224 T-5IDS2*	23-3/4"	6"	23-3/4"	(2) 24 watt T-5 HO
154 T-5IDS	23-3/4"	6"	47-3/4"	54 watt T-5 HO
254 T-5IDS*	23-3/4"	6"	47-3/4"	(2) 54 watt T-5 HO
117 T-8IDS1	11-3/4"	6"	24-13/16"	17 watt T-8
132 T-8IDS1	11-3/4"	6"	48-13/16"	32 watt T-8
117 T-8IDS	23-3/4"	6"	24-13/16"	17 watt T-8
217 T-8IDS2*	23-3/4"	6"	24-13/16"	(2) 17 watt T-8
132 T-8IDS	23-3/4"	6"	48-13/16"	32 watt T-8
232 T-8IDS*	23-3/4"	6"	48-13/16"	(2) 32 watt T-8



\* Double lamp section fixtures.

NOTE: Standard T-5 lamps are available: for 2' fixtures, replace the "24" with "14"; 4' fixtures, replace the "54" with "28."