

ELP

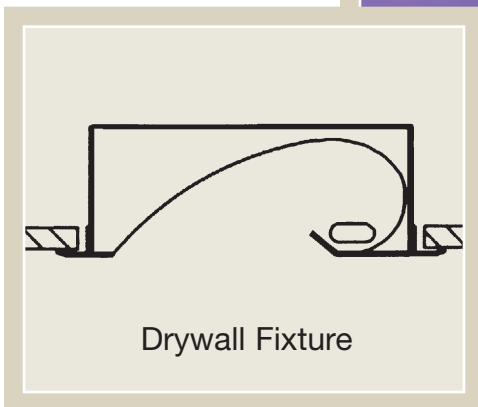
ENGINEERED LIGHTING
PRODUCTS

IW & IWTB SERIES

RECESSED Indirect for Vertical Illumination
For Drywall and T-Bar



T-Bar Fixture



Drywall Fixture

*Ideal placement is 24" to 36"
from the front edge of fixture
to the surface you are lighting,
for 8' to 12' ceilings.*

System

Recessed indirect fixture with asymmetric wash of light to provide vertical illumination in difficult applications such as mirrored surfaces and video conference key speaker where a shielded lamp is critical. The formed reflector provides even, unscalped illumination with no glare.



RECESSED Indirect for Vertical Illumination
For Drywall and T-Bar

Specifications

Recessed indirect fixture with asymmetric wash of light to provide vertical illumination. Available in 2' and 4' lengths for use with Biax and T-5 lamps. The formed reflector combines white diffuse with high-purity aluminum (99.9%) reflector material with 95% reflectance. It is easily removable without tools for access to the ballast and wiring. Fixture design provides complete lamp shielding from all angles, and even, unscalped illumination with no direct glare.

The 5" deep, TGIC polyester powder-coated housing is made of 22 gauge CRS with cover and knock-outs that provide quick wire access to the side or back of the fixture for through wiring. All fluorescent fixtures are supplied standard with Luminaire Disconnect.

Continuous Mount – If the drywall fixtures are being mounted in a continuous row add "CC" (if in ceiling) to the catalog number and provide row configuration, so proper trims may be provided, i.e.: (18) 240BXIW-CC for (6) 12' rows.

Rough-In Dimensions = (Entire length of row, add all "B" lengths + 1/2") x 10-5/8"

Dimensions do *not* apply to Trimless installations.
UL/CUL Damp Location listed.

U.S. Patent #5,142,459

Options

Ballast 120 or 277 HPF Electronic (Standard)
Dimming (Some Models) -DM
Emergency (Some Models) -EPP

Finish White (Standard)
Anti-Microbial White -MB
Custom -Custom

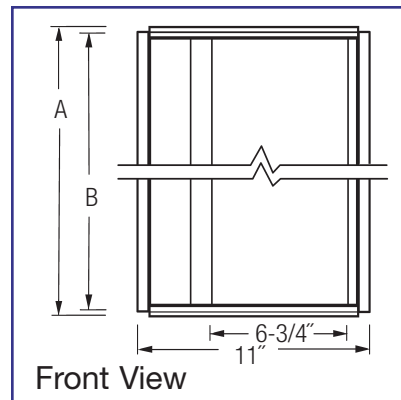
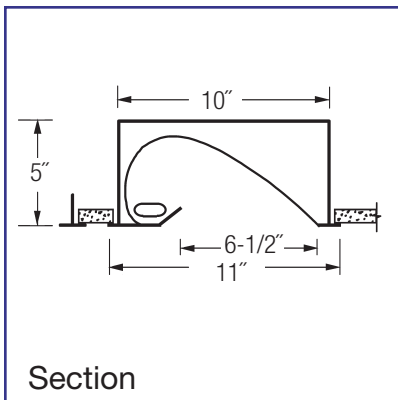
Reflector Combo White/Diffuse (Standard)
White -W

Louver Diffuse Silver Parallel Blade -LV

Trimless Gypsum/Drywall Installation -TLD
Plaster Installation -TLP
(See TRIMLESS sheet for dimensions)

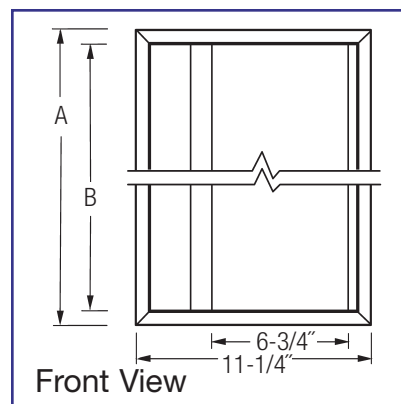
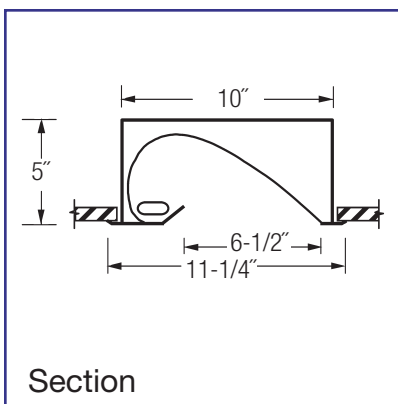
T-Bar 45° 2' T-Bar fixtures may be ordered to mount in grid at a 45° angle -45

Hospital Hospital Grade (Drywall only) -HG
(Full Lens; Gasket; Anti-Microbial Paint)



IW-TB SERIES for T-Bar Installations

Model No.	A	B	Lamp
140 BXIW-TB	23-7/8"	23-7/16"	40 watt Biax
150 BXIW-TB	23-7/8"	23-7/16"	50 watt Biax
155 BXIW-TB	23-7/8"	23-7/16"	55 watt Biax
240 BXIW-TB	47-7/8"	47-7/16"	(2) 40 watt Biax
250 BXIW-TB	47-7/8"	47-7/16"	(2) 50 watt Biax
255 BXIW-TB	47-7/8"	47-7/16"	(2) 55 watt Biax
114 T-5IW-TB	23-7/8"	23-7/16"	14 watt T-5
124 T-5IW-TB	23-7/8"	23-7/16"	24 watt T-5 HO
128 T-5IW-TB	47-7/8"	47-7/16"	28 watt T-5
154 T-5IW-TB	47-7/8"	47-7/16"	54 watt T-5 HO



IW SERIES for Plaster or Drywall

Model No.	A	B	Rough-In Dimensions	Lamp
140 BXIW	24-3/16"	22-15/16"	10-5/8" x 23-1/2"	40 watt Biax
150 BXIW	24-3/16"	22-15/16"	10-5/8" x 23-1/2"	50 watt Biax
155 BXIW	24-3/16"	22-15/16"	10-5/8" x 23-1/2"	55 watt Biax
240 BXIW	48-3/16"	46-15/16"	10-5/8" x 47-1/2"	(2) 40 watt Biax
250 BXIW	48-3/16"	46-15/16"	10-5/8" x 47-1/2"	(2) 50 watt Biax
255 BXIW	48-3/16"	46-15/16"	10-5/8" x 47-1/2"	(2) 55 watt Biax
114 T-5IW	24-3/16"	22-15/16"	10-5/8" x 23-1/2"	14 watt T-5
124 T-5IW	24-3/16"	22-15/16"	10-5/8" x 23-1/2"	24 watt T-5 HO
128 T-5IW	48-3/16"	46-15/16"	10-5/8" x 47-1/2"	28 watt T-5
154 T-5IW	48-3/16"	46-15/16"	10-5/8" x 47-1/2"	54 watt T-5 HO