

LS SERIES

ELP

ENGINEERED LIGHTING
PRODUCTS

RECESSED LED Steplight
Trimless & Trimmed for Drywall Installation



*Ideal placement is 10" to 16"
from the bottom edge of
fixture opening to the floor.*

System

Trimless steplight has minimal intrusion into the architectural space. Design allows wall finish to end right at the edge of the lighted opening.



TYPE:
CATALOG #:
JOB:

RECESSED Trimless LED Steplight for Standard Drywall Installation

Specifications

Small, recessed LED steplight for trimless finish. The design does not require a trim to finish the wall opening. A flange is provided around the perimeter of the fixture to allow for 5/8" gypsum board construction. The shallow fixture may be recessed into a standard 2" x 4" stud wall. By lining the "wall recess" with gypsum, the wall installation may also be modified to maintain a one hour fire rating. (SEE INSTRUCTIONS)

Fixture aperture allows the wall finish to end right at the edge of the lighted opening for a clean construction appearance. TGIC polyester powder coated housing is made of 22 gauge CRS. The 2 or 4 watt fixture has a formed diffuse silver reflector of high purity aluminum (99.9%) with a 97% reflectance. The indirect design provides a soft asymmetric wash of light on the floor. It utilizes the 3000K LED Sylvania HF² Narrow Stick and Optotronic® class 2 driver for a rated 50,000 hour lamp life. Lexan lens is spring loaded within the fixture.

Tested to IES LM79 & LM80 standards. These extremely efficient fixtures have a Luminaire Efficacy Rating (LER) of 33 to 38 depending on the LED module.

c/CSA/us Listed. IC Rated.

Options

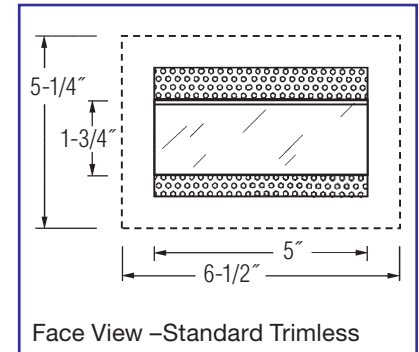
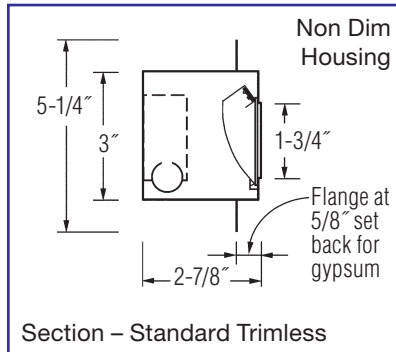
Driver 120 or 277 Electronic (Standard)
Dimming: (SEE HOUSING SECTION)
DM6 3-wire/Digital, Lutron L3D
DM7 2-wire, Lutron LTE (120 only)

Finish White (Standard)
Anti-Microbial White -MB
Custom -Custom

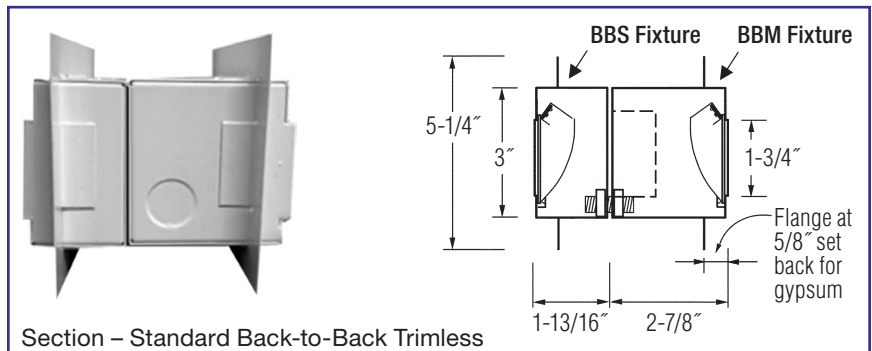
Reflector Diffuse Silver 97 (Standard)
Painted White -W

Lens Clear Lexan Full Lens (Standard)
Frosted Lexan Full Lens -FLF
Amber Full Lens for Night Light -FLA

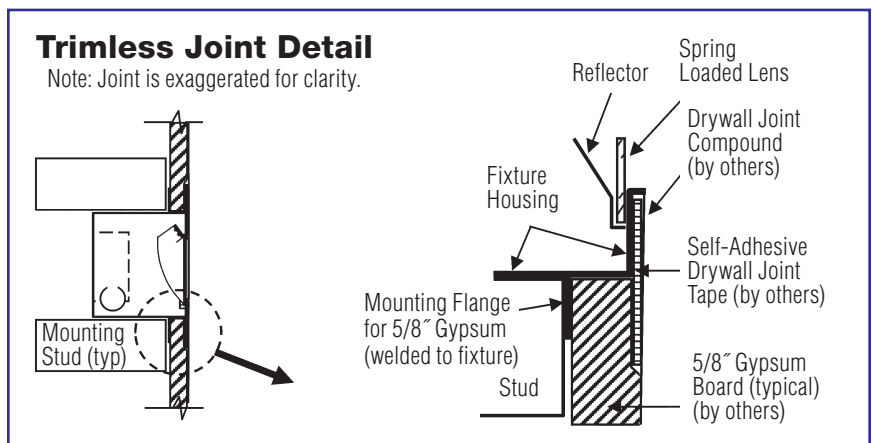
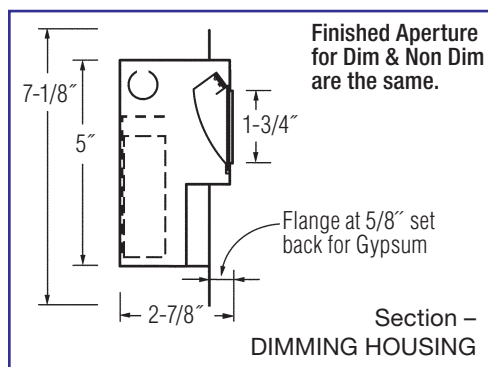
LED 3000K (Standard)
2700K -27
3500K -35
4000K -40



Model No. for Standard	Rough-in Dimensions	Lamp
12W1LS	3-1/2" x 5-1/2"	1 Row, 2 watt White LED
14W1LS	3-1/2" x 5-1/2"	1 Row, 4 watt White LED



Model No. for Back to Back	Depth	Rough-in Dimensions	Lamp
12W1LS-BBM (*)	2-7/8"	3-1/2" x 5-1/2"	1 Row, 2 watt White LED
12W1LS-BBS (*)	1-13/16"	3-1/2" x 5-1/2"	1 Row, 2 watt White LED
14W1LS-BBM (*)	2-7/8"	3-1/2" x 5-1/2"	1 Row, 4 watt White LED
14W1LS-BBS (*)	1-13/16"	3-1/2" x 5-1/2"	1 Row, 4 watt White LED



(*) Please designate the thickness of wall framing for Back-to-Back installations: 2 x 4, 2 x 6, etc. Back-to-Back installations are (1) circuit only.

NOTE: Sylvania provides 5 years' warranty on the lamp, driver combination.



TYPE:
CATALOG #:
JOB:

**RECESSED Trimless LED Steplight
 for 2 Hour Fire Rated Drywall Installation**

Specifications

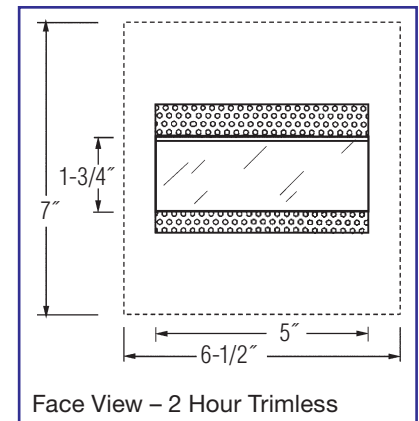
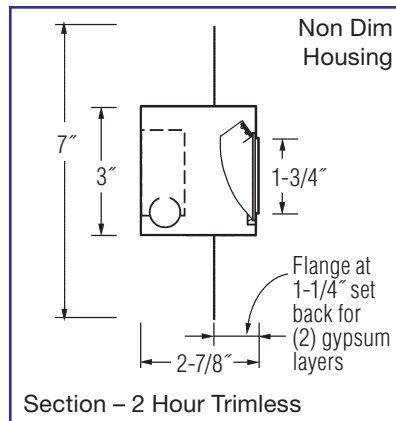
Small, recessed LED steplight for trimless finish. The design does not require a trim to finish the wall opening. A flange is provided around the perimeter of the fixture to allow for (2) 5/8" gypsum board construction. The shallow fixture may be recessed into a standard 2" x 4" stud wall. By lining the "wall recess" with two layers of gypsum, this fixture may be installed to maintain a two-hour fire rating. (SEE INSTRUCTIONS & CONFIRM w/ LOCAL INSPECTOR)

Fixture aperture allows the wall finish to end right at the edge of the lighted opening for a clean construction appearance. TGIC polyester powder coated housing is made of 22 gauge CRS. The 2 or 4 watt fixture has a formed diffuse silver reflector of high purity aluminum (99.9%) with a 97% reflectance. The indirect design provides a soft asymmetric wash of light on the floor. It utilizes the 3000K LED Sylvania HF² Narrow Stick and Optotronic[®] class 2 driver for a rated 50,000 hour lamp life. Lexan lens is spring loaded within the fixture.

Tested to IES LM79 & LM80 standards. These extremely efficient fixtures have a Luminaire Efficacy Rating (LER) of 33 to 38 depending on the LED module. c/CSA/us Listed. IC Rated.

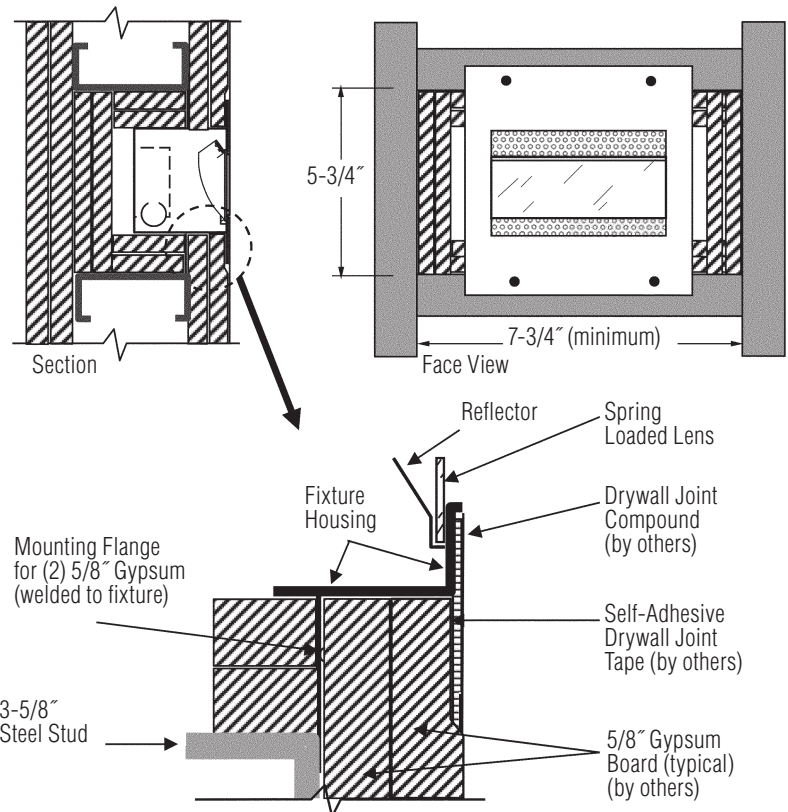
Options

- Driver 120 or 277 Electronic (Standard)
- Dimming: (SEE HOUSING SECTION)
 - DM6 3-wire/Digital, Lutron L3D
 - DM7 2-wire, Lutron LTE (120 only)
- Finish White (Standard)
 - Anti-Microbial White -MB
 - Custom -Custom
- Reflector Diffuse Silver 97 (Standard)
 - Painted White -W
- Lens Clear Lexan Full Lens (Standard)
 - Frosted Lexan Full Lens -FLF
 - Amber Full Lens for Night Light -FLA
- LED 3000K (Standard) 3500K -35
 2700K -27 4000K -40



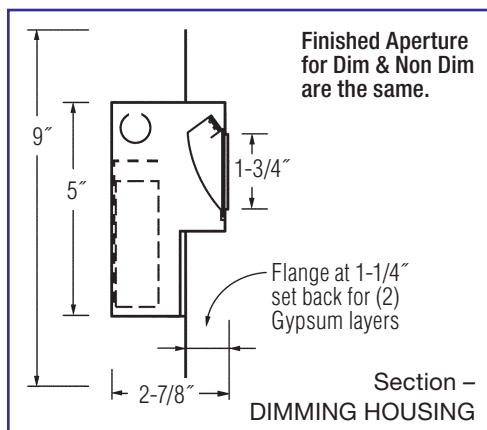
Model No. for 2 Hour Wall	Rough-in Dimensions	Lamp
12W1LS-2H	5-3/4" x 7-3/4"	1 Row, 2 watt White LED
14W1LS-2H	5-3/4" x 7-3/4"	1 Row, 4 watt White LED

Joint & Mounting Detail for 2 Hour Rated Wall



Verify Compliance with Local Inspector BEFORE Installation

Note: Sylvania provides 5 years' warranty on the lamp, driver combination.





TYPE:
CATALOG #:
JOB:

RECESSED LED Steplight with Full Face Lens Plate Trim for Plaster or Drywall Installation

Specifications

Small, recessed LED steplight. A flange is provided around the perimeter of the fixture for mounting. The shallow fixture may be recessed into a standard 2" x 4" stud wall. By lining the "wall recess" with gypsum, the wall installation may also be modified to maintain a one hour fire rating. (SEE INSTRUCTIONS)

TGIC polyester powder coated housing is made of 22 gauge CRS. The 2 or 4 watt fixture has a formed diffuse silver reflector of high purity aluminum (99.9%) with a 97% reflectance. The indirect design provides a soft asymmetric wash of light on the floor. It utilizes the 3000K LED Sylvania HF² Narrow Stick and Optotronic[®] class 2 driver for a rated 50,000 hour lamp life. Full Face Lens Plate is supplied standard with clear Lexan lens.

Tested to IES LM79 & LM80 standards. These extremely efficient fixtures have a Luminaire Efficacy Rating (LER) of 33 to 38 depending on the LED module.

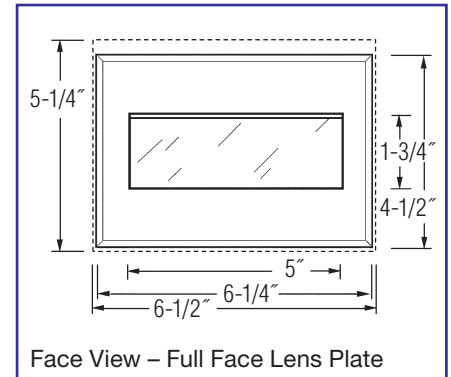
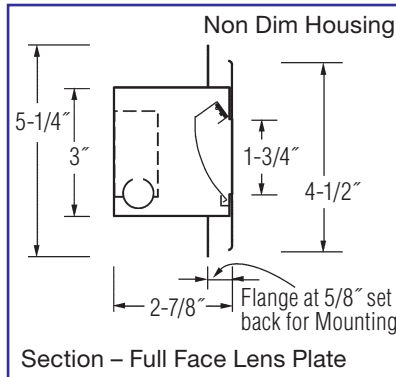
c/CSA/us Listed. IC Rated.

Options

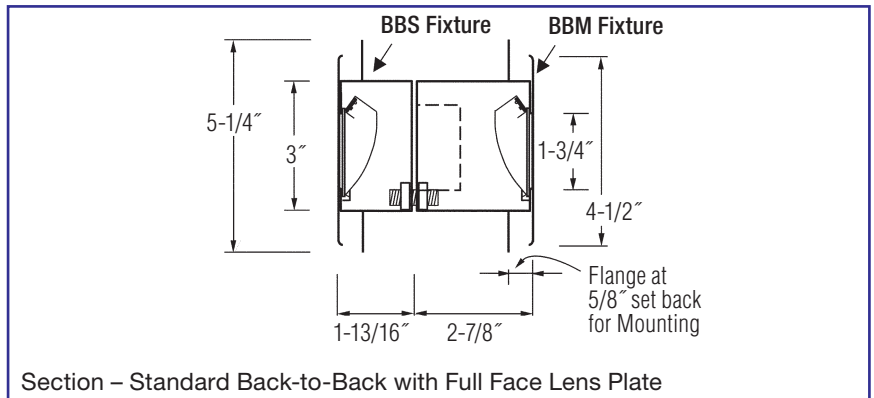
- Driver 120 or 277 Electronic (Standard)
Dimming: (SEE HOUSING SECTION)
DM6 3-wire/Digital, Lutron L3D
DM7 2-wire, Lutron LTE (120 only)
- Finish White (Standard)
Anti-Microbial White -MB
Custom -Custom
- Reflector Diffuse Silver 97 (Standard)
Painted White -W
- Lens Clear Lexan Full Lens (Standard)
Frosted Lexan Full Lens -FFLPF
Amber Full Lens for Night Light -FFLPA
- LED 3000K (Standard)
2700K -27
3500K -35
4000K -40
- Hospital Hospital Grade Features -HG
(Full Lens, Gasket, Anti-Microbial Paint)

(*) Please designate the thickness of wall framing for Back-to-Back installations: 2 x 4, 2 x 6, etc. Back-to-Back installations are (1) circuit only.

Note: Sylvania provides 5 years' warranty on the lamp, driver combination.



Model No. for Full Face Lens Plate	**Rough-in Framing Dimensions	Lamp
12W1LS -FFLP	3-3/4" x 5-1/2"	1 Row, 2 watt White LED
14W1LS -FFLP	3-3/4" x 5-1/2"	1 Row, 4 watt White LED



Model No. for Back to Back	Depth	**Rough-in Framing Dimensions	Lamp
12W1LS-FFLP-BBM (*)	2-7/8"	3-3/4" x 5-1/2"	1 Row, 2 watt White LED
12W1LS-FFLP-BBS (*)	1-13/16"	3-3/4" x 5-1/2"	1 Row, 2 watt White LED
14W1LS-FFLP-BBM (*)	2-7/8"	3-3/4" x 5-1/2"	1 Row, 4 watt White LED
14W1LS-FFLP-BBS (*)	1-13/16"	3-3/4" x 5-1/2"	1 Row, 4 watt White LED

**Rough-in DRYWALL dimensions at the face of fixture are 3-1/2" x 5-1/2"

