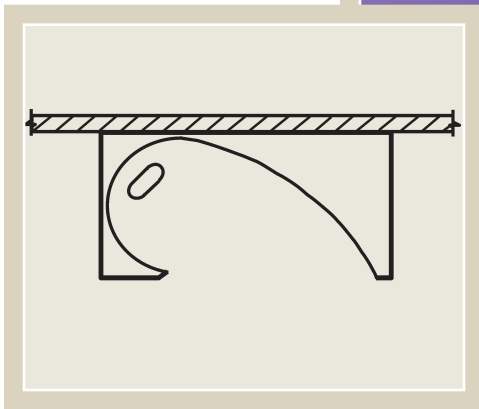


## MAXI-S SERIES

**ELP**

ENGINEERED LIGHTING  
PRODUCTS

SURFACE Mount Wall Washer  
For High Ceiling Applications



*Ideal placement (depending on wall height) is 48" to 66" from the front edge of fixture to the surface you are lighting, for a typical 12' to 14' wall height.*

### **System**

The optics are designed for retail or lobby spaces with high ceilings, to provide 40% more light than typical wall wash fixtures in the critical visual zone and merchandise area from 4' to 7' height. The formed, high purity aluminum reflectors provide even unscalped illumination with excellent lamp shielding from the normal viewing angle.



TYPE:  
 CATALOG #:  
 JOB:

## SURFACE Mount Wall Washer For High Ceiling Applications

### Specifications

Surface mount fluorescent wall washer for use with Biax, T-5 and T-8 lamps. The fixture is 5" deep with ballast(s) mounted in the housing. The one-piece formed reflector is high-purity aluminum (99.9%) with 95% reflectance. It is easily removable without tools for access to the ballast and wiring. Reflector design provides even unscalped illumination with complete lamp shielding even when viewed directly beneath the fixture.

TGIC polyester powder-coated housing is made of 22 gauge CRS with cover and knock-outs that provide quick wire access at the top of the fixture. All fluorescent fixtures are provided standard with Luminaire Disconnect.

**Continuous Mount** – If the fixtures are being mounted in a continuous row, add "CC" to the catalog number and provide the row configuration i.e.: (18) 440BXWW-MS-CC for (6) 12' rows.

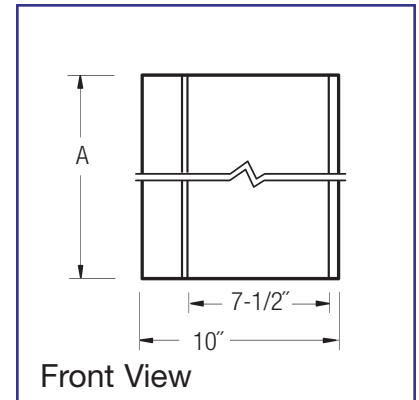
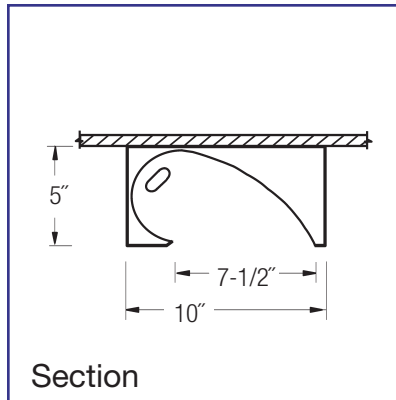
Knock-outs will be provided between continuous fixtures for through wiring.

UL/CUL Damp Location listed.

**U.S. Patent #5,142,459**

### Options

Ballast	120 or 277 HPF Electronic (Standard) Dimming (Some models) -DM Emergency (Some models) -EPP
Finish	White (Standard) Custom-Custom
Reflectors	Diffuse Silver (Standard) Specular Silver -SP Painted White -W
Lens	Clear Lexan Mini Lens -ML Frosted Lexan Mini Lens -MLF
Louver	Parallel Blade Louver -LV
Mounting	Surface J-Box (Standard) Canopy w/Stem-CS (FT of Stem) Ex: 440BXWW-MS-CS4 Continuous row (see above) -CC



Model No.	A	Lamp
140 BXWW-MS	24"	40 watt Biax
150 BXWW-MS	24"	50 watt Biax
155 BXWW-MS	24"	55 watt Biax
240 BXWW-MS2*	24"	(2) 40 watt Biax
250 BXWW-MS2*	24"	(2) 50 watt Biax
255 BXWW-MS2*	24"	(2) 55 watt Biax
240 BXWW-MS	48"	(2) 40 watt Biax
250 BXWW-MS	48"	(2) 50 watt Biax
255 BXWW-MS	48"	(2) 55 watt Biax
440 BXWW-MS*	48"	(4) 40 watt Biax
450 BXWW-MS*	48"	(4) 50 watt Biax
455 BXWW-MS*	48"	(4) 55 watt Biax
214 T-5WW-MS*	24"	(2) 14 watt T-5
224 T-5WW-MS*	24"	(2) 24 watt T-5 HO
221 T-5WW-MS*	36"	(2) 21 watt T-5
239 T-5WW-MS*	36"	(2) 39 watt T-5 HO
228 T-5WW-MS*	48"	(2) 28 watt T-5
254 T-5WW-MS*	48"	(2) 54 watt T-5 HO
217 T-8WW-MS*	24"	(2) 17 watt T-8
225 T-8WW-MS*	36"	(2) 25 watt T-8
232 T-8WW-MS*	48"	(2) 32 watt T-8

\* Double lamp fixtures.

