

ELP

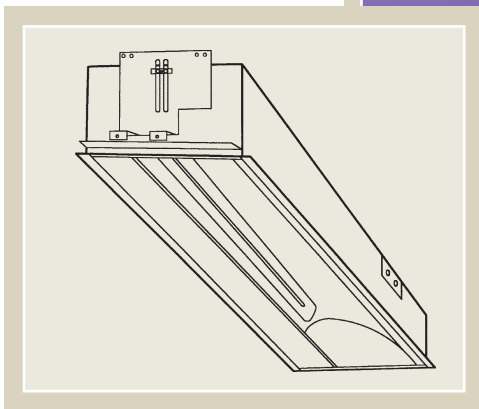
ENGINEERED LIGHTING
PRODUCTS

MAXI-TB SERIES

RECESSED Wall Washer
For High T-Bar Ceilings



Wall Washer



Ideal placement (depending on wall height) is 48" to 66" from the front edge of fixture to the surface you are lighting, for 12' to 14' ceilings.

System

The optics are designed for retail spaces with high ceilings, to provide 40% more light than typical wall wash fixtures in the critical merchandise area from 4' to 7' height. The formed, high purity aluminum reflectors provide even, unscalped illumination with excellent lamp shielding from the normal viewing angle.



MAXI-TB SERIES

TYPE:
CATALOG #:
JOB:

RECESSED Wall Washer
For High T-Bar Ceilings

Specifications

Recessed fluorescent wall washer for use with Biax, T-5 and T-8 lamps for T-Bar installations. The fixture is 5" deep with ballast(s) mounted in the housing. The one piece formed reflector is high purity aluminum (99.9%) with 95% reflectance. It is easily removable without tools for access to the ballast and wiring. Reflector design provides even, unscalped illumination with complete lamp shielding even when viewed directly beneath the fixture.

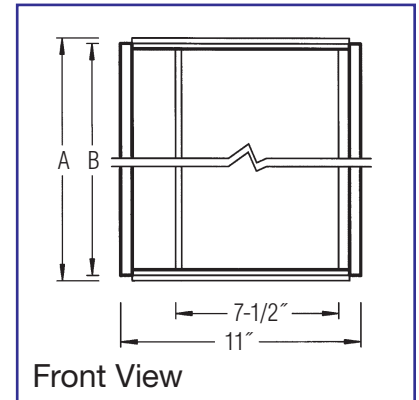
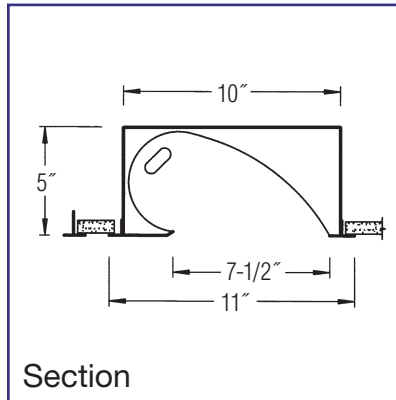
TGIC polyester powder coated housing is made of 22 gauge CRS with cover and knock-outs that provide quick wire access to side or back of fixture for through wiring. All fluorescent fixtures are supplied standard with Luminaire Disconnect.

UL/CUL Damp Location listed.

U.S. Patent #5,142,459

Options

| | |
|------------|---|
| Ballast | 120 or 277 HPF Electronic (Standard) Dimming (Some models) -DM Emergency (Some models) -EPP |
| Finish | White (Standard) Anti-Microbial White -MB Custom -Custom |
| Reflectors | Diffuse Silver (Standard) Specular Silver -SP Painted White -W |
| Louver | Diffuse Silver Parallel Blade -LV |



| Model No. | A | B | Lamp |
|---|---------|----------|--------------------|
| 140 BXWW-MTB | 23-7/8" | 23-7/16" | 40 watt Biax |
| 150 BXWW-MTB | 23-7/8" | 23-7/16" | 50 watt Biax |
| 155 BXWW-MTB | 23-7/8" | 23-7/16" | 55 watt Biax |
| 240 BXWW-MTB† | 23-7/8" | 23-7/16" | (2) 40 watt Biax |
| 250 BXWW-MTB† | 23-7/8" | 23-7/16" | (2) 50 watt Biax |
| 255 BXWW-MTB† | 23-7/8" | 23-7/16" | (2) 55 watt Biax |
| 240 BXWW-MTB | 47-7/8" | 47-7/16" | (2) 40 watt Biax |
| 250 BXWW-MTB | 47-7/8" | 47-7/16" | (2) 50 watt Biax |
| 255 BXWW-MTB | 47-7/8" | 47-7/16" | (2) 55 watt Biax |
| 440 BXWW-MTB† | 47-7/8" | 47-7/16" | (4) 40 watt Biax |
| 450 BXWW-MTB† | 47-7/8" | 47-7/16" | (4) 50 watt Biax |
| 455 BXWW-MTB† | 47-7/8" | 47-7/16" | (4) 55 watt Biax |
| 214 T-5WW-MTB | 23-7/8" | 23-7/16" | (2) 14 watt T-5 |
| 224 T-5WW-MTB | 23-7/8" | 23-7/16" | (2) 24 watt T-5 HO |
| 228 T-5WW-MTB | 47-7/8" | 47-7/16" | (2) 28 watt T-5 |
| 254 T-5WW-MTB | 47-7/8" | 47-7/16" | (2) 54 watt T-5 HO |
| 217 T-8WW-MTB† (add 'CC' if mounting end to end)* | 24" | 23-7/16" | (2) 17 watt T-8 |
| 232 T-8WW-MTB† (add 'CC' if mounting end to end)* | 48" | 47-7/16" | (2) 32 watt T-8 |

* No more than 5 in a row.

† Double lamp fixtures.

