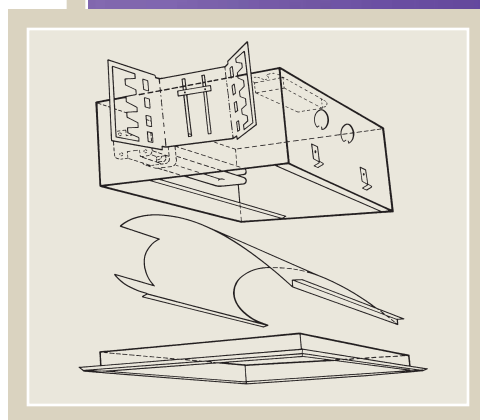
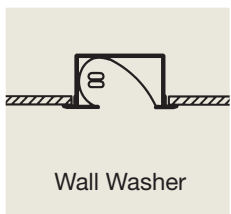
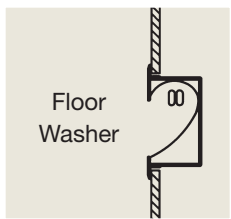
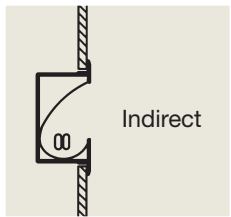


ELP

ENGINEERED LIGHTING
PRODUCTS

MINI SERIES

RECESSED Wall Washer for Plaster or Drywall



*Ideal placement is
24" to 36" from the front
edge of fixture to the
surface you are lighting,
for 8' to 10' ceilings.*

System

Small, high performance wall wash fixtures with exceptional lamp shielding from the normal viewing angle. The shallow 3-1/2" design also allows wall installation in a standard 4" wall to wash the ceiling or floor with light. Formed, high purity aluminum reflectors provide even, unscaloped illumination.



Specifications

Small, recessed fluorescent wall washer for use with PL, Quad Triple Tube and Halogen lamps. Fluorescent fixture is 3-1/2" deep with ballast mounted within the housing. The shallow 3-1/2" fixture may be recessed into a standard 4" wall to wash the ceiling or floor with light. By lining the "wall recess" with gypsum, the wall installation may also be modified to maintain a one hour fire rating (SEE INSTRUCTIONS).

The one piece, formed reflector is high purity aluminum (99.9%) with 95% reflectance. It is easily removable without any tools for access to the ballast and wiring. Reflector design provides even unscalped illumination with complete lamp shielding even when viewed directly beneath the fixture.

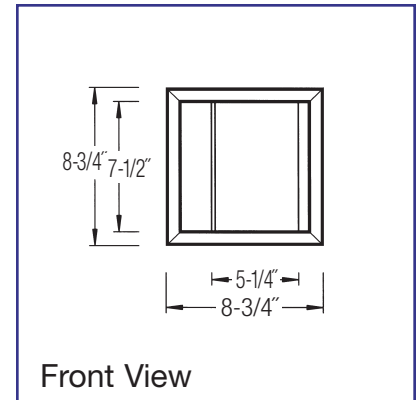
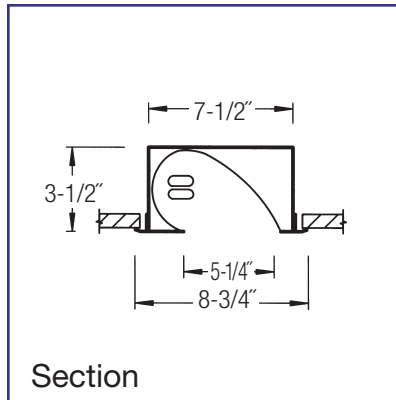
TGIC polyester powder coated housing is made of 22 gauge CRS with knock-outs for through wiring. All fluorescent fixtures are supplied standard with Luminaire Disconnect. Trim is extruded aluminum.

UL/CUL Damp Location listed.

U.S. Patent #5,142,459

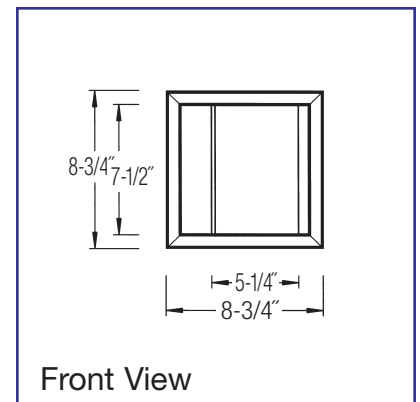
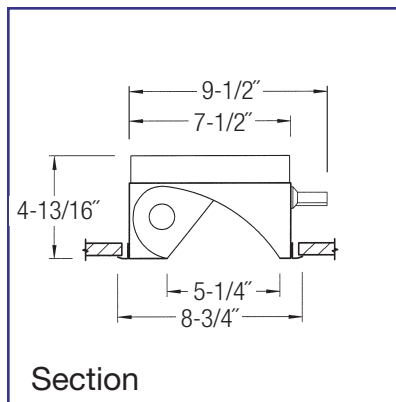
Options

- Ballast 120 HPF Electronic (Standard)
277 HPF Electronic (Some Models)
- Finish White (Standard)
Anti-Microbial White -MB
Custom -Custom
- Reflectors Diffuse Silver (Standard)
Specular Silver -SP
Stepped Diffuse Silver -ST
Painted White -W
(To eliminate a clear lamp image in up light installations that may occur at certain viewing angles, we suggest you use a White or Stepped reflector, OR standard reflector with Frosted Mini Lens)
- Lens (Fluorescent) Clear Lexan Mini Lens -ML
Frosted Lexan Mini Lens -MLF
Clear Lexan Full Lens -FL
Frosted Lexan Full Lens -FLF
- Lens (Halogen) Clear Tempered Glass Mini Lens (Standard)
Frosted Tempered Glass Mini Lens -ML-TGLF
Clear Tempered Glass Full Lens -FL-TGL
Frosted Tempered Glass Full Lens -FL-TGLF
- Louver Diffuse Silver Parallel Blade -LV
- Trimless Gypsum/Drywall Installation -TLD
Plaster Installation -TLP
(See TRIMLESS sheet for dimensions)
- Hospital Hospital Grade Features -HG
(Full Lens; Gasket; Anti-Microbial Paint)



Fluorescent

Model No.	Rough-In Dimensions	Lamp
107 PLWW-Mini	8-1/8" x 8-1/8"	7 watt PL
109 PLWW-Mini	8-1/8" x 8-1/8"	9 watt PL
113 QDWW-Mini	8-1/8" x 8-1/8"	13 watt Quad
118 QDWW-Mini	8-1/8" x 8-1/8"	18 watt Quad
118TTWW-Mini	8-1/8" x 8-1/8"	18 watt Triple Tube
126TTWW-Mini	8-1/8" x 8-1/8"	26 watt Triple Tube
132TTWW-Mini	8-1/8" x 8-1/8"	32 watt Triple Tube
142TTWW-Mini	8-1/8" x 8-1/8"	42 watt Triple Tube



Tungsten Halogen

Model No.	Rough-In Dimensions	Lamp
1100 THWW-Mini	8-1/8" x 8-1/8"	100 watt T-10 Medium Base Tungsten Halogen