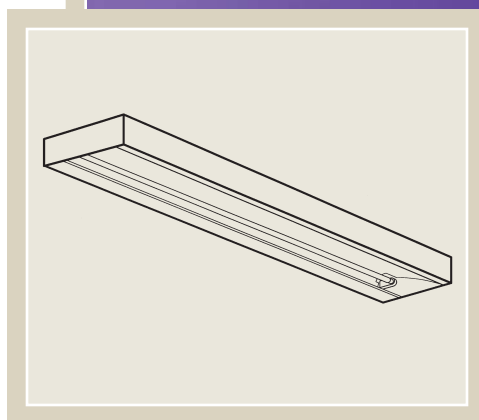
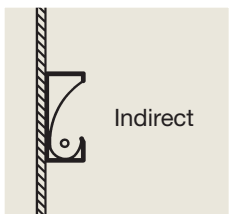
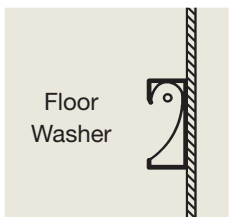
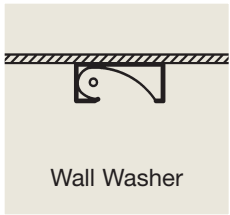


ELP

ENGINEERED LIGHTING
PRODUCTS

MPS SERIES

SURFACE Mount T-5 Wall Washer



*Ideal placement is
24" to 36" from the front
edge of fixture to the
surface you are lighting, at
8' to 12' height.*

System

Miniature profile, high performance wall wash fixtures with exceptional lamp shielding from the normal viewing angle. The shallow (3" max.) design is also ADA compliant for wall mount installations to wash the ceiling or floor with light. Formed, high purity aluminum reflectors provide even, unscaloped illumination.



TYPE:

CATALOG #:

JOB:

Specifications

Small, surface mount linear wall wash fixture using one or two compact T-5 fluorescent linear lamps. The one lamp fixture is 2-1/2" deep with ballast(s) mounted in the housing. The one piece, formed reflector is high purity aluminum (99.9%) with 95% reflectance. It is easily removable without tools for access to the ballast and wiring. Reflector design provides even unscalped illumination with complete lamp shielding even when viewed directly beneath the fixture.

TGIC polyester powder coated housing is made of 22 gauge CRS with cover and knock-outs that provide quick wire access to the back of fixture for through wiring. All fluorescent fixtures are supplied standard with Luminaire Disconnect.

Continuous Mount - If fixtures are being mounted in a continuous row, add "CC" to the catalog number and provide row configuration, i.e.: (18) 154T-5WW-MPS -CC for (6) 12' rows.

Knock-outs will be provided between continuous fixtures for through wiring.

UL/CUL Damp Location listed.

U.S. Patent #5,142,459

Options

Ballast 120 or 277 Electronic (Standard)
Dimming (Some models) -DM
Emergency (Some models) -EPP

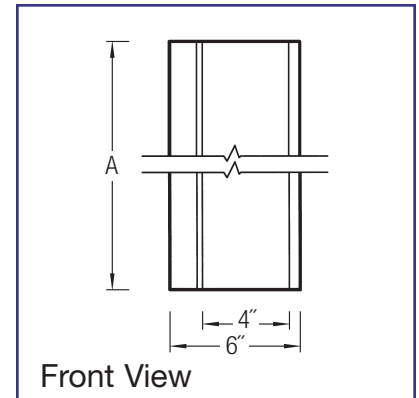
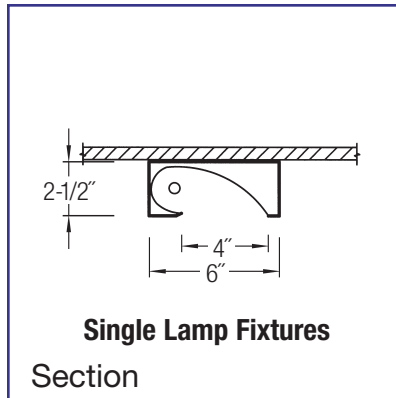
Finish White (Standard)
Custom -Custom

Reflectors Diffuse Silver (Standard)
Specular Silver -SP
Painted White -W
(To eliminate a clear lamp image that can occur at some viewing angles, in Up light installations, we suggest you consider a White reflector OR the standard diffuse reflector with a Frosted Mini Lens)

Lens Clear Lexan Mini Lens -ML
Frosted Lexan Mini Lens -MLF

Louver Diffuse Silver Parallel Blade -LV

Mounting Surface J-Box (Standard)
Canopy w/Stem -CS (FT of Stem)
Ex. 154T-5WW-MPS-CS4
Continuous Row (see above) -CC



Model No.	A	Lamp
114 T-5WW-MPS	22-1/2"	14 watt T-5
214 T-5WW-MPS*	22-1/2"	(2) 14 watt T-5
124 T-5WW-MPS	22-1/2"	24 watt T-5 HO
224 T-5WW-MPS*	22-1/2"	(2) 24 watt T-5 HO
121 T-5WW-MPS	34-5/16"	21 watt T-5
221 T-5WW-MPS*	34-5/16"	(2) 21 watt T-5
139 T-5WW-MPS	34-5/16"	39 watt T-5 HO
239 T-5WW-MPS*	34-5/16"	(2) 39 watt T-5 HO
128 T-5WW-MPS	46-1/8"	28 watt T-5
228 T-5WW-MPS*	46-1/8"	(2) 28 watt T-5
154 T-5WW-MPS	46-1/8"	54 watt T-5 HO
254 T-5WW-MPS*	46-1/8"	(2) 54 watt T-5 HO

* Double lamp fixtures.

