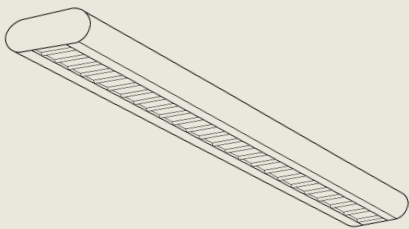


SC SERIES

ELP

ENGINEERED LIGHTING
PRODUCTS

SURFACE/PENDENT Mount Wall Wash
and Down Lights



Down Light

Sleek, shallow, surface or pendent mount Down Lights. And Wall Wash fixtures for placement 24" to 36" from the surface you are lighting, at 8' to 10' height.

System

Soft, curved edges, serve to minimize these already shallow fixtures. The Wall Wash fixtures have formed, high purity aluminum reflectors that provide even, unscaloped illumination. The Down Lights have a parallel blade louver to provide lamp shielding.



TYPE:
 CATALOG #:
 JOB:

SURFACE/PENDENT Mount Wall Wash and Down Lights

Specifications

Shallow surface or pendent mounted wall wash and down light fixture for use with Biax, T-8 and T-5 linear lamps. Down lights are available for single and double lamp units and are provided with a parallel blade louver. The wall wash reflector is diffuse, high purity aluminum (99.9%) which provide 95% reflectance. It is a formed one piece unit that is easily removable without tools for access to the ballast and wiring. The down light reflector is painted white with TGIC polyester powder coating. The curved extruded aluminum side panels provide a pleasant change from standard rectangular fixtures.

TGIC polyester powder coated housing is made of 20 gauge CRS back plate and extruded aluminum curved side panels. Cover and knock-outs provide quick wire access to the back of the fixture for through wiring. All fluorescent fixtures are supplied standard with Luminaire Disconnect.

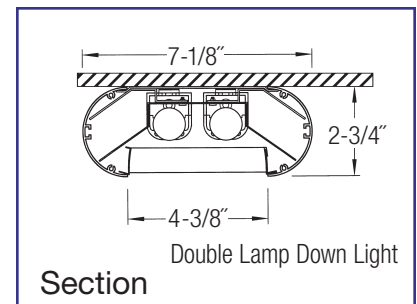
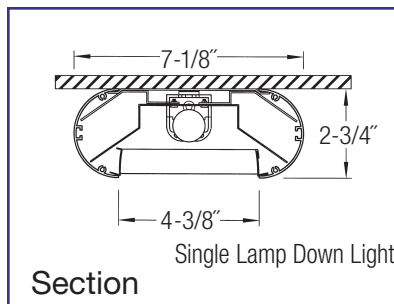
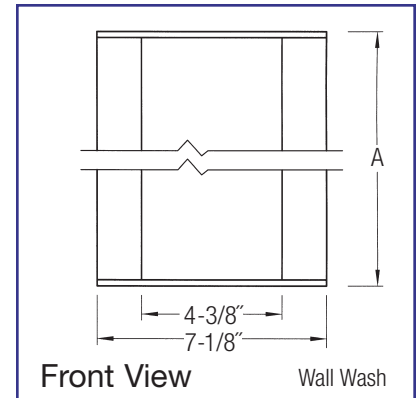
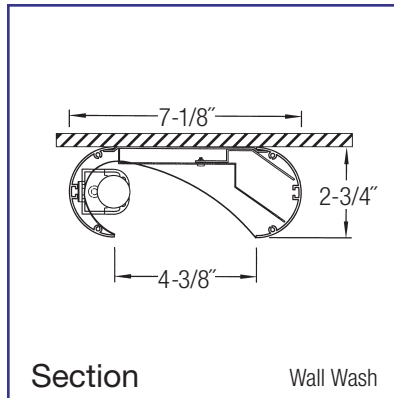
Continuous Mount - If fixtures are being mounted in a continuous row, add "CC" to the catalog number and provide row configuration, i.e.: (18) 154T-5DL-SC -CC for (6) 12' rows.

Knock-outs will be provided between continuous fixtures for through wiring.

UL/CUL Damp Location listed.

Options

- Ballast 120 or 277 Electronic (Standard)
 Dimming (Some Models) -DM
 Emergency (Some Models) -EPP
- Finish White (Standard)
 Custom -Custom
- Louver Parallel Blade Louver -LV
 (Standard for Down Light)
- Mounting Surface J-Box (Standard)
 Canopy w/Stem -CS (FT of Stem)
 Ex. 154T-5WW-SC-CS4
 Continuous Row (see above) -CC



Model No.*	A	Lamp
139 BX (WW or DL) -SC	18-1/4"	39 watt Biax
140 BX (WW or DL) -SC	24-1/4"	40 watt Biax
150 BX (WW or DL) -SC	24-1/4"	50 watt Biax
155 BX (WW or DL) -SC	24-1/4"	55 watt Biax
239 BX (WW or DL) -SC	36-1/4"	(2) 39 watt Biax
240 BX (WW or DL) -SC	48-1/4"	(2) 40 watt Biax
250 BX (WW or DL) -SC	48-1/4"	(2) 50 watt Biax
255 BX (WW or DL) -SC	48-1/4"	(2) 55 watt Biax
114 T-5 (WW or DL) -SC	24-1/4"	14 watt T-5
214 T-5 DL -SC	24-1/4"	(2) 14 watt T-5
124 T-5 (WW or DL) -SC	24-1/4"	24 watt T-5 HO
224 T-5 DL -SC	24-1/4"	(2) 24 watt T-5 HO
121 T-5 (WW or DL) -SC	36-1/4"	21 watt T-5
221 T-5 DL -SC	36-1/4"	(2) 21 watt T-5
139 T-5 (WW or DL) -SC	36-1/4"	39 watt T-5 HO
239 T-5 DL -SC	36-1/4"	(2) 39 watt T-5 HO
128 T-5 (WW or DL) -SC	48-1/4"	28 watt T-5
228 T-5 DL -SC	48-1/4"	(2) 28 watt T-5
154 T-5 (WW or DL) -SC	48-1/4"	54 watt T-5 HO
254 T-5 DL -SC	48-1/4"	(2) 54 watt T-5 HO
117 T-8 (WW or DL) -SC	24-1/4"	17 watt T-8
217 T-8 DL -SC	24-1/4"	(2) 17 watt T-8
125 T-8 (WW or DL) -SC	36-1/4"	25 watt T-8
225 T-8 DL -SC	36-1/4"	(2) 25 watt T-8
132 T-8 (WW or DL) -SC	48-1/4"	32 watt T-8
232 T-8 DL -SC	48-1/4"	(2) 32 watt T-8

* WW for Wall Wash or DL for Down Light