

ELP

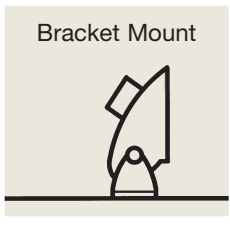
ENGINEERED LIGHTING
PRODUCTS

SY SERIES

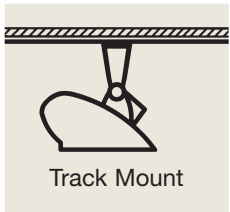
YOKE Mounted Wall Washer



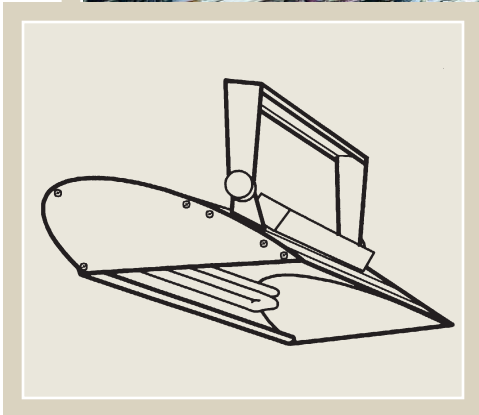
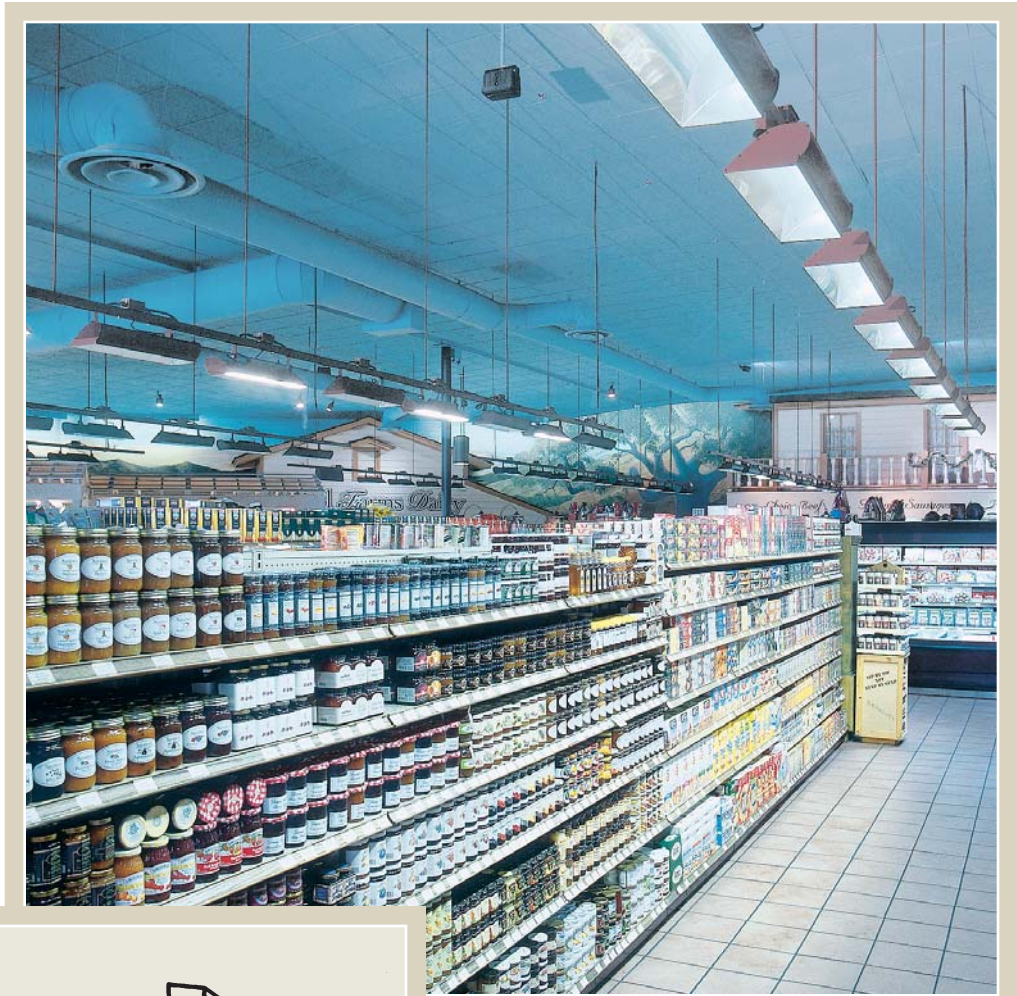
Yoke Mount



Bracket Mount



Track Mount



Project
Bristol Farms
Westlake Village, California

Specifier
E. Efron
Pasadena, California

Photographer
Mark Dell'Aquila
Long Beach, California

Lighting
140BXWW-SY, 40 watts

Ideal placement is 24" to 36" from the front edge of fixture to the surface you are lighting, at 8' to 12' height.

System

Yoke-mounted, fluorescent wall wash fixtures with several mounting options offer complete adjustability for aiming. Formed, high purity aluminum reflectors provide even, unscalped illumination.



TYPE:
 CATALOG #:
 JOB:

Specifications

Yoke-mounted fluorescent wall washer for use with PL, Quad, Triple Tubes, Biax, T-5 & T-8 lamps. The fixture is extruded aluminum with attached ballast compartment finished with TGIC polyester powder coating. All fluorescent fixtures are supplied standard with Luminaire Disconnect.

The formed reflector is high-purity aluminum (99.9%) with 95% reflectance. Knobs at yoke and provide complete adjustability.

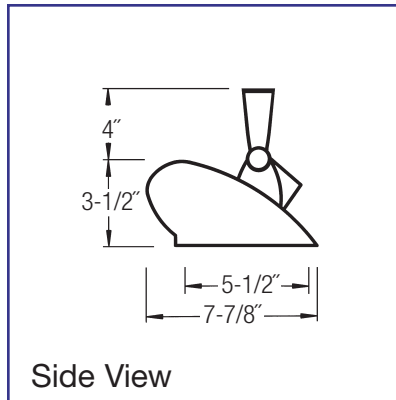
Continuous Mount - If fixtures are being mounted in a continuous row, add "CC" to the catalog number and provide row configuration, i.e.: (6) 232T-8WW-SY -CC for (3) 16' rows.

UL/CUL/CE Damp Location listed.

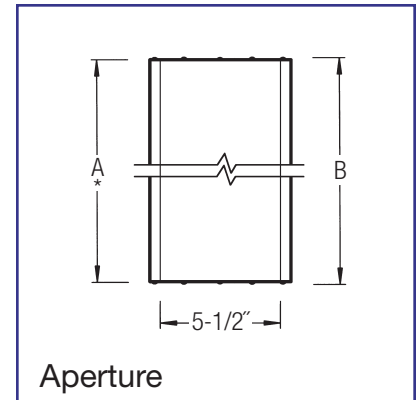
U.S. Patent #5,142,459

Options

- Ballast 120 or 277 HPF Electronic (Standard)
 Dimming (Some models) -DM
 Emergency (Some models) -EPP
- Finish White (Standard)
 Custom -Custom
- Mounting Yoke (Standard)
 Continuous Row (see above) -CC
 For additional mounting, see page IS-16M.
- Reflector Diffuse Silver (Standard)
 White -W
- Lens Clear Lexan Mini Lens -ML
 Frosted Lexan Mini Lens -MLF
 Clear Lexan Full Lens -FL
 Frosted Lexan Full Lens -FLF
- Louver Diffuse Silver Parallel Blade -LV



Side View



Aperture

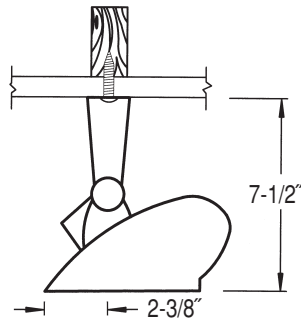
Model No.	A*	B	Lamp
113 PLWW-SY	8-3/4"	8-7/8"	13 watt PL
213 PLWW-SY	18-1/4"	18-3/8"	(2) 13 watt PL
126 QDWW-SY	8-3/4"	8-7/8"	26 watt Quad
226 QDWW-SY	18-1/4"	18-3/8"	(2) 26 watt Quad
126 TTWW-SY	8-3/4"	8-7/8"	26 watt Triple Tube
132 TTWW-SY	8-3/4"	8-7/8"	32 watt Triple Tube
142 TTWW-SY	8-3/4"	8-7/8"	42 watt Triple Tube
226 TTWW-SY	18-1/4"	18-3/8"	(2) 26 watt Triple Tube
232 TTWW-SY	18-1/4"	18-3/8"	(2) 32 watt Triple Tube
242TTWW-SY	18-1/4"	18-3/8"	(2) 42 watt Triple Tube
118 BXWW-SY	12-1/4"	12-3/8"	18 watt Biax
127 BXWW-SY	14-1/4"	14-3/8"	27 watt Biax
139 BXWW-SY	18-1/4"	18-3/8"	39 watt Biax
140 BXWW-SY	24-1/4"	24-3/8"	40 watt Biax
150 BXWW-SY	24-1/4"	24-3/8"	50 watt Biax
155 BXWW-SY	24-1/4"	24-3/8"	55 watt Biax
239 BXWW-SY	36-1/4"	36-3/8"	(2) 39 watt Biax
240 BXWW-SY	48-1/4"	48-3/8"	(2) 40 watt Biax
250 BXWW-SY	48-1/4"	48-3/8"	(2) 50 watt Biax
255 BXWW-SY	48-1/4"	48-3/8"	(2) 55 watt Biax
440 BXWW-SY	96-5/16"	96-7/16"	(4) 40 watt Biax
450 BXWW-SY	96-5/16"	96-7/16"	(4) 50 watt Biax
455 BXWW-SY	96-5/16"	96-7/16"	(4) 55 watt Biax
124 T-5WW-SY	24-1/4"	24-3/8"	24 watt T-5 HO
139 T-5WW-SY	36-1/4"	36-3/8"	39 watt T-5 HO
154 T-5WW-SY	48-1/4"	48-3/8"	54 watt T-5 HO
224 T-5WW-SY	24-1/4"	24-3/8"	(2) 24 watt T-5 HO
239 T-5WW-SY	36-1/4"	36-3/8"	(2) 39 watt T-5 HO
254 T-5WW-SY	48-1/4"	48-3/8"	(2) 54 watt T-5 HO
454 T-5WW-SY	96-5/16"	96-7/16"	(4) 54 watt T-5 HO
132 T-8WW-SY	48-1/4"	48-3/8"	32 watt T-8
232 T-8WW-SY	96-5/16"	96-7/16"	(2) 32 watt T-8

* Use this dimension for continuous rows with joiner brackets.

NOTE: Standard T-5 lamps are available for:
 2' fixtures, replace the "24" with "14"
 3' fixtures, replace the "39" with "21"
 4' fixtures, replace the "54" with "28"



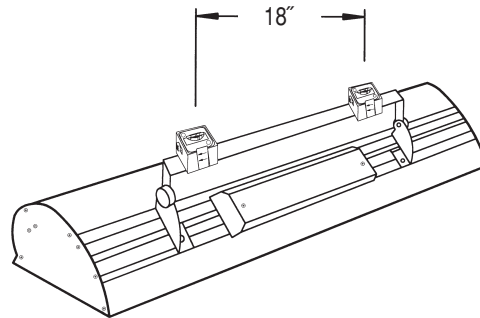
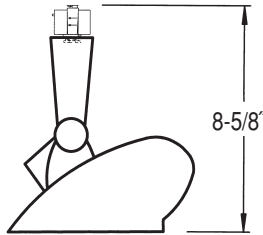
SY MOUNTING



SY SERIES

Fixtures are standardly provided with a yoke that would mount directly to the ceiling or structure using screws or drywall bolts (by others).

TRACK MOUNT



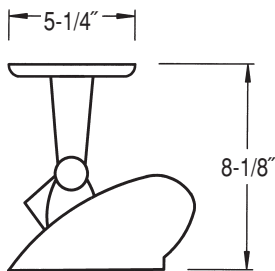
TRACK

Adapters can be supplied for Con-Tech track. The Con-Tech track adapters are U.L. compatible with Juno track. For all other track, adapters must be supplied by others. All 2', 3' and 4' fixtures are provided with two track adapters. 8' fixtures are not available for track mount.

ORDERING: Add -TK to catalog number.

Sample: 240 BXWW-SY-TK

CANOPY & STEM MOUNT

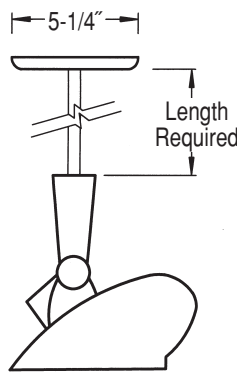


CANOPY

Supplied with hardware to mount directly to a J-Box. The 2', 3', 4' and 8' fixtures are supplied with two.

ORDERING: Add -CY to catalog number.

Sample: 140 BXWW-SY-CY

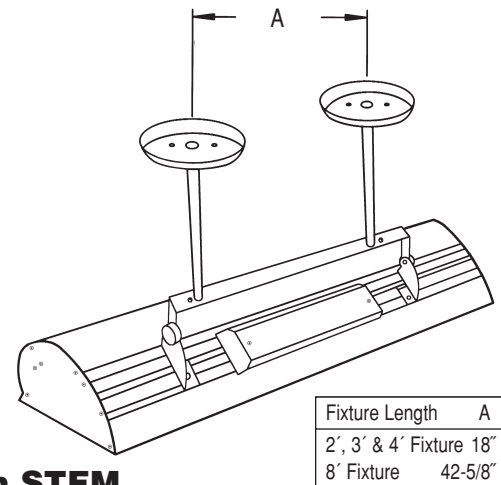


CANOPY with STEM

Supplied with hardware to mount directly to a J-Box. Stems are standardly provided from 1' to 10' as required. The 2', 3', 4' and 8' fixtures are provided with two.

ORDERING: Add -CS (length required) to catalog number.

Sample: 240 BXWW-SY-CS4



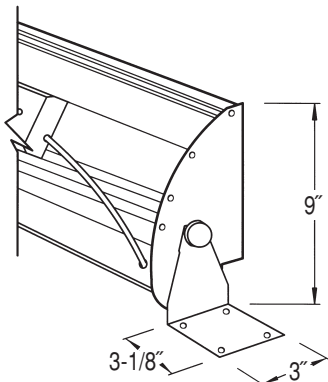
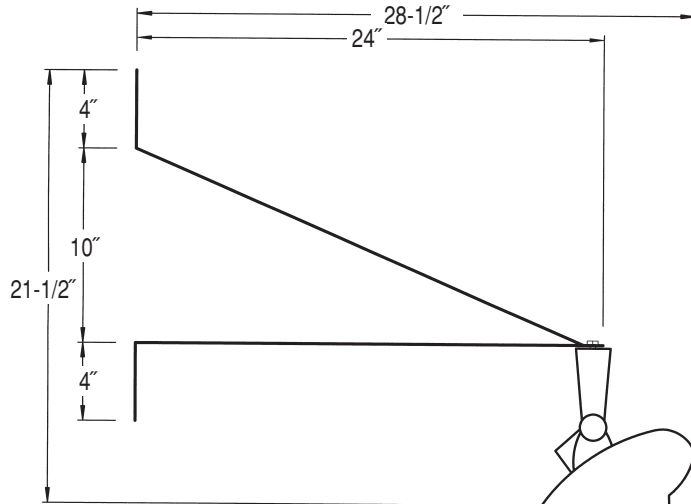
ADDITIONAL MOUNTING OPTIONS

WALL BRACKET

Supplied in 24" length standardly.
Cantilevers the fixture away from the wall that you intend to light.

ORDERING:

Add **-WB** to catalog number.
Sample: **140 BXWW-SY-WB**

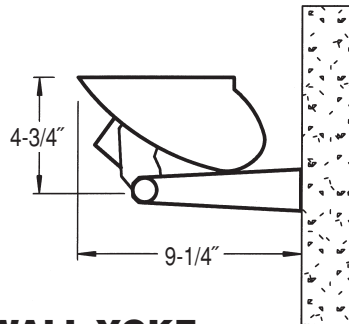


BRACKET MOUNT

Supplied to stand the fixture up and mount to the surface.

ORDERING:

Add **-BK** to catalog number.
Sample: **140 BXWW-SY-BK**

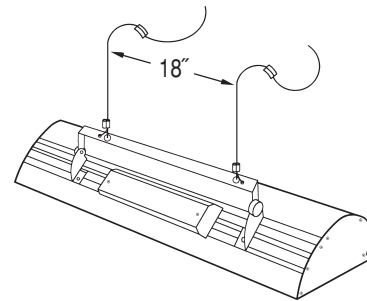


WALL YOKE

Supplied to mount the fixture directly to the wall and aim the light indirectly into the room.

ORDERING:

Add **-WY** to catalog number.
Sample: **140 BXWW-SY-WY**

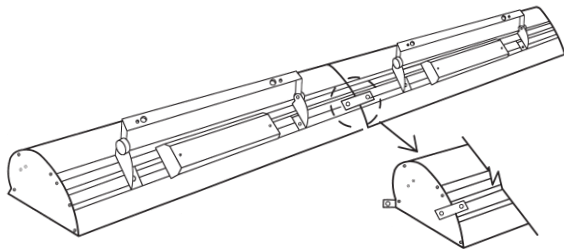


CABLE MOUNT

Supplied with four copper crimps for permanent mounting height. Specify length in feet.

ORDERING:

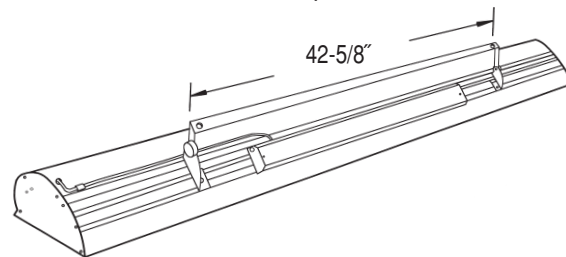
Add **-CB (length)** to number.
Sample: **140 BXWW-SY-CB4**



JOINER BRACKETS

Are available to attach fixtures together if they are being mounted in a continuous line. Provide row configuration.

ORDERING: Provided in sets of two.
Sample: **BK-M-SY-JOIN**



EIGHT FOOT FIXTURES

Are standardly provided with 4' yoke with mounting holes at each end. One ballast box is centered under the yoke. The 8' fixtures may not be mounted directly to a track because of their weight.