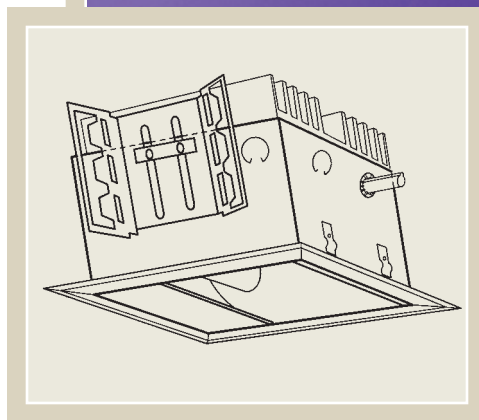
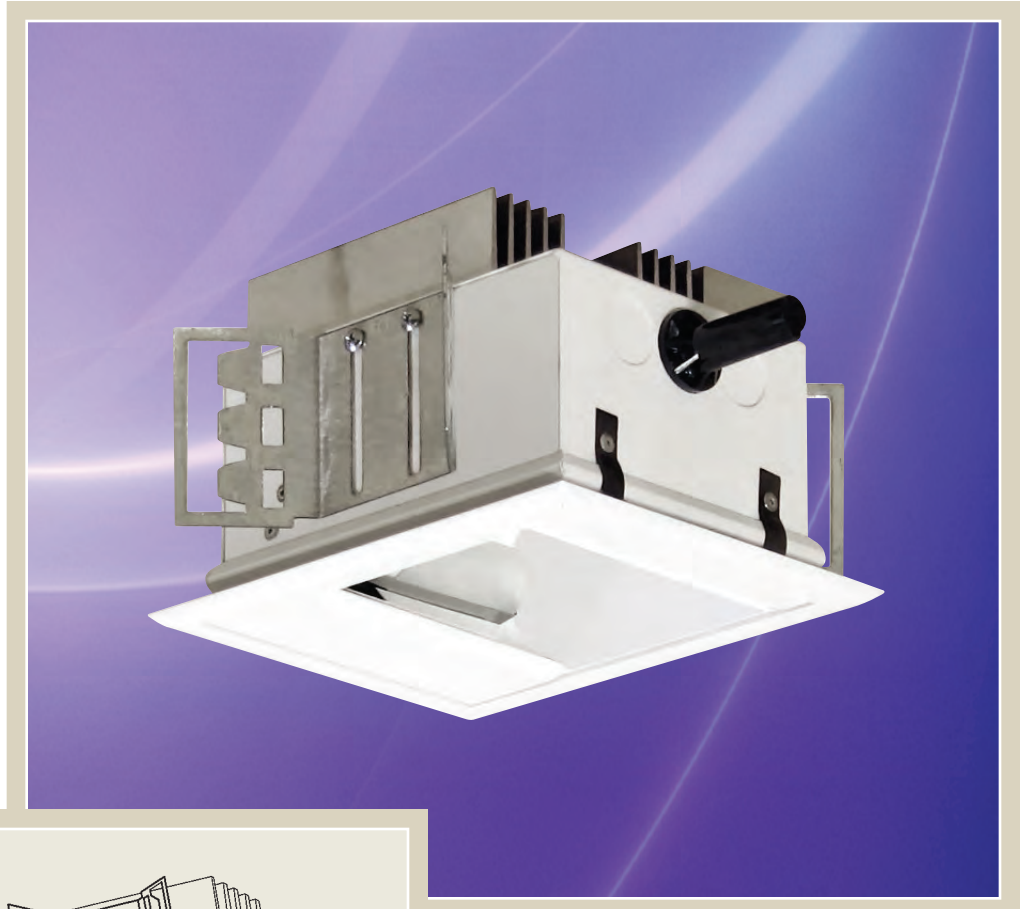
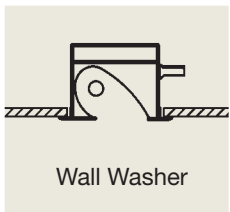
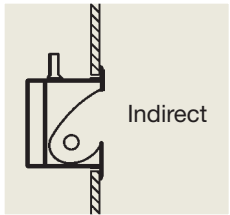


# ELP

ENGINEERED LIGHTING  
PRODUCTS

## RECESSED Tungsten Halogen Wall Washer for Plaster or Drywall



*Ideal placement is  
18" to 30" from the front  
edge of fixture to the  
surface you are lighting,  
for 8' to 10' ceilings.*

### System

Small aperture, tungsten halogen wall wash fixture with exceptional lamp shielding. Formed aluminum reflector is post painted with high reflectance white diffuse finish to provide a discreet wash of illumination. Ideal for residential or other applications where easy dimming is desired.



TYPE:  
CATALOG #:  
JOB:

## RECESSED Tungsten Halogen Wall Washer for Plaster or Drywall

### Specifications

Small, recessed wall wash fixture for use with a 75 watt 120 volt mini-can tungsten halogen lamp or a 20, 40 or 60 watt, 120 volt mini-can incandescent Performance lamp by Hybec. Fixture is 4-13/16" deep and the one piece, formed reflector is easily removable without tools for access to the wiring. The heavy duty aluminum heat sink assures cool operation and maximum lamp life. The socket pivots to allow easy relamping and access to protective glass shield. Reflector design provides complete lamp shielding even when viewed directly beneath fixture.

TGIC polyester powder coated housing is made of 22 gauge CRS with attached thermal fuse and finned aluminum heat sink. Knock-outs are provided for through wiring. Trim is extruded aluminum.

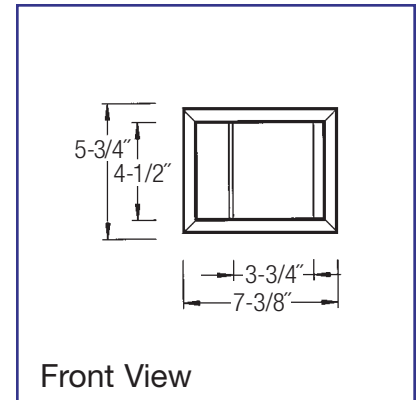
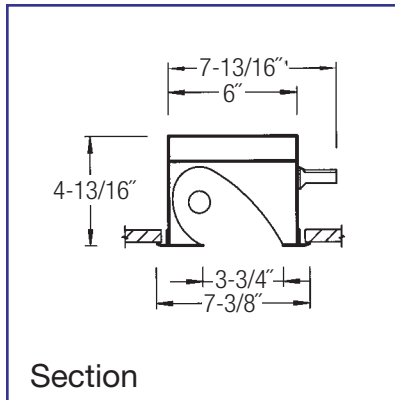
Non I.C. Rated.

UL/CUL Damp Location listed.

**U.S. Patent #5,142,459**

### Options

- Finish      White (Standard)  
              Custom -Custom
- Reflectors    White (Standard)  
              Stepped Diffuse Silver -ST
- Trimless     Gypsum/Drywall Installation -TLD  
              Plaster Installation -TLP  
              (See TRIMLESS sheet for dimensions)



Model No.	Rough-In Dimensions		Lamp
175 THWW	5" x 6-5/8"	120 V Tungsten Halogen or Incandescent Mini-can	75 watt Max.