

ELP

ENGINEERED LIGHTING
PRODUCTS

TRIMLESS OPTION

RECESSED Fixtures with a Clean Finish Edge
For Plaster or Drywall

Project
Wilson's Leather
Mission Viejo, California
Specifier
Robert Tant Lighting Design
Flagstaff, Arizona
Photographer
Mark Dell'Aquila
Long Beach, California
Lighting
240BXWW-AK-TLD, 80 watts



Any of our Plaster / Drywall fixtures may be ordered in the Trimless configuration.

System

The *TRIMLESS* feature provides the best of both worlds. Minimal intrusion into the architectural space, incorporated with our patented reflector systems for maximum performance. Design allows ceiling/wall finish to end right at the edge of the lighted opening.



TRIMLESS OPTION

TYPE:
CATALOG #:
JOB:

RECESSED Fixtures with a Clean Finish Edge For Plaster or Drywall

Specifications

Recessed fixture which does not require a trim to finish the ceiling opening. This option is available for all recessed plaster/drywall fixtures. A set back flange is provided around the perimeter of the fixture to allow for 5/8" gypsum board construction for -TLD models and 7/8" plaster for -TLP models. The fixture allows the ceiling finish to end right at the edge of the lighted opening for a clean construction appearance.

TGIC polyester powder coated housing is made of 22 gauge CRS. All fluorescent fixtures are supplied standard with Luminaire Disconnect.

Options*

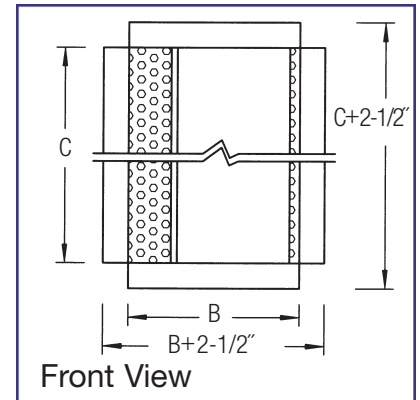
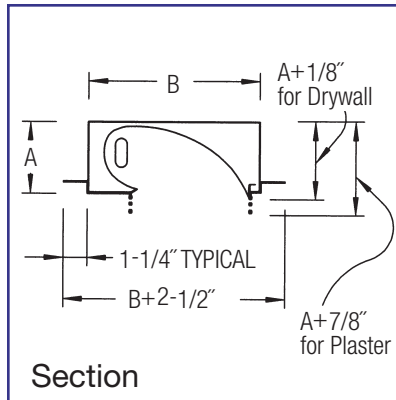
The following options are available for fixtures provided as DRYWALL TRIMLESS.

Reflector Diffuse (Standard for most fixtures)
Specular -SP
Stepped Diffuse Silver -ST
Painted White -W
(To eliminate a clear lamp image in Up light installations that may occur at certain viewing angles, we suggest you use a White or Stepped reflector, OR standard reflector with Frosted Mini Lens)

Lens Clear Lexan Mini Lens -ML
Frosted Lexan Mini Lens -MLF

Louver Diffuse Silver Parallel Blade -LV

* Options are only available if listed on the standard catalog cut.



A	Height of the recessed housing on the required Series catalog sheet.		
B	Width of the recessed housing on the required Series catalog sheet.		
C	Length of the recessed TRIMLESS housing. (SEE CHART)		
Sample:	A	B	C
AK Series	#140BXWW-AK	3-1/2" Ht. x 8-1/2" W	x 22-15/16" L
AK Series TRIMLESS	#140BXWW-AK-TLD	3-1/2" Ht. x 8-1/2" W	x 24" L

Chart for "C" Dimension	Length of TRIMLESS Fixture Housing		
	2' nominal	3' nominal	4' nominal
AA, AAD, AK, DL6, DW, ID, IW, Maxi & VT Series Fixtures:	C = 24"	C = 36"	C = 48"
MP & CW Series Fixtures:	C = 22-1/2"	C = 34-5/16"	C = 46-1/8"
All Series Fixtures less than 20" length	C = SAME length for Trimless		

Rough-in Dimensions:

Individual Fixture = ("C" + 1/2") x ("B" + 1/2")

Continuous Row = (Length of row, add all "C" lengths + 1/2") x ("B" + 1/2")

To specify the TRIMLESS option, for any of our recessed plaster/drywall fixtures, simply add the following to our standard catalog number:

Drywall installations add -TLD

Plaster installations add -TLP

