

ELP

ENGINEERED LIGHTING
PRODUCTS

VTS SERIES

SURFACE or Pendant Mount 2' x 2' Indirect
Video/Tele Conference Fixtures

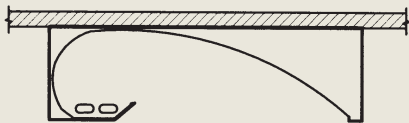


Project
Econolite Control Products, Inc.
Anaheim, California

Specifier
Leelite Design
Tustin, California

Photographer
Dell'Aquila Photography & Video
Long Beach, California

Lighting
250BXVT-TB, 110 watts
(Recessed T-Bar Version)



*Comfortably illuminates the
participants while rendering an
excellent video image.*

System

Video/Tele Conference fixtures. Unique, indirect 2' x 2' fluorescent fixtures provide even vertical illumination in three directions. They comfortably illuminate participants with minimal facial shadowing while keeping direct light/glare off of the monitor and camera.



TYPE:
 CATALOG #:
 JOB:

SURFACE or Pendant Mount 2' x 2' Indirect
 Video/Tele Conference Fixtures

Specifications

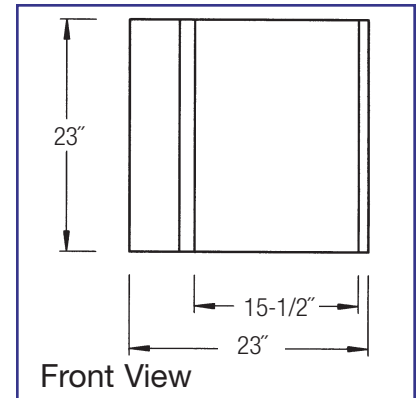
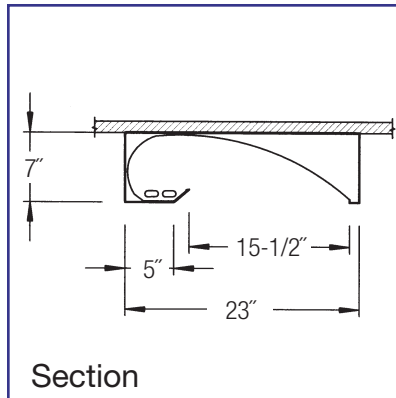
Indirect 2' x 2' compact fluorescent fixture for surface or pendant mount installations. Unit utilizes one or two 40, 50 or 55 watt Biax lamps. The unique 2' x 2' indirect fixture provides even vertical illumination in three directions, forward and to the sides. The formed reflector combines white diffuse with high purity aluminum (99.9%) reflector material with 95% reflectance. The optical design allows energy efficient lighting layouts with excellent visual comfort for the speaker, the camera and the audience. It provides low level lighting at the front of the space for good contrast at the monitor, and keeps direct light off of the camera.

The spot weld construction housing is 22 gauge CRS and post painted with a white TGIC polyester powder coat. Cover and knock-outs provided for through wiring. All fluorescent fixtures are supplied standard with Luminaire Disconnect.

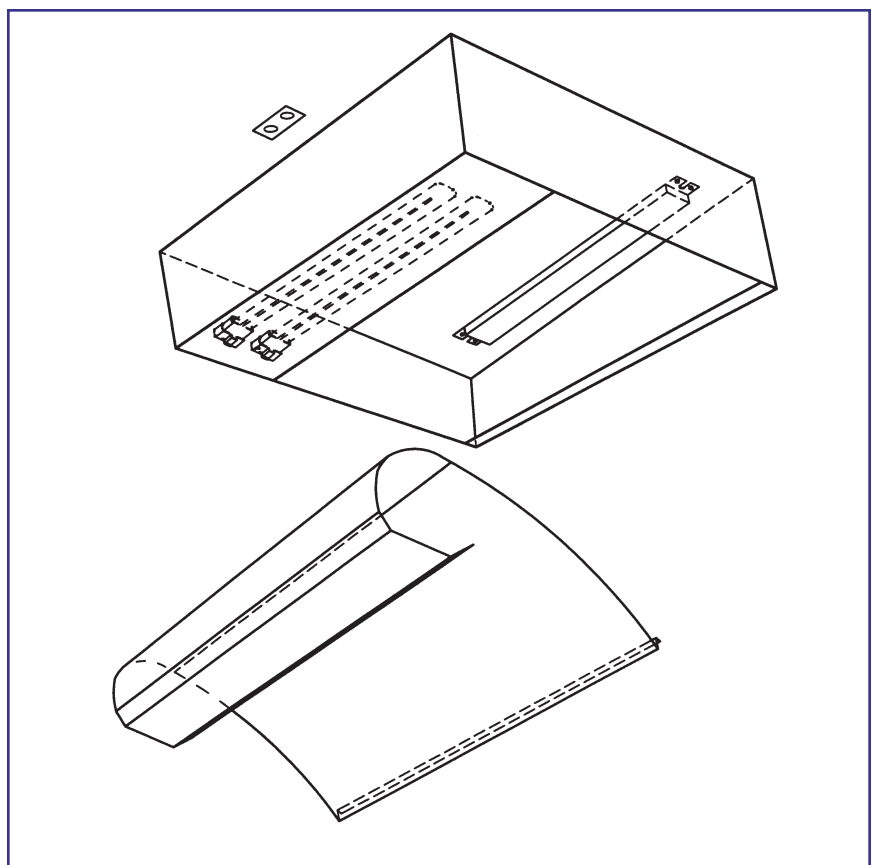
UL/CUL Damp Location listed.

Options

- Ballast 120 or 277 Electronic Dimming (Standard)
Alternate Dimming Ballasts
- Finish White (Standard)
Custom -Custom
- Louver Diffuse Silver Parallel Blade -LV
(Not Recommended)
- Mounting Surface J-Box (Standard)
Canopy w/Stem -CS(FT of Stem)
Ex. 250BXVTS-CS2



Model No.	Standard Dimming Ballast	Lamp
140BXVTS	Lutron SE (3-Wire)	(1) 40 watt Biax
150BXVTS	Lutron SE (3-Wire)	(1) 50 watt Biax
155BXVTS	Advance Mark X (2-Wire)	(1) 55 watt Biax
240BXVTS	Lutron SE (3-Wire)	(2) 40 watt Biax
250BXVTS	Lutron SE (3-Wire)	(2) 50 watt Biax
255BXVTS	Advance Mark X (2-Wire)	(2) 55 watt Biax



NOTE: See the RECESSED VT&VTTB Series catalog cut, page number IR-21 for lighting advice and typical layout.