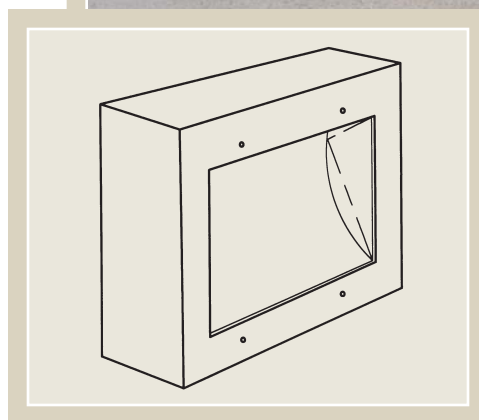
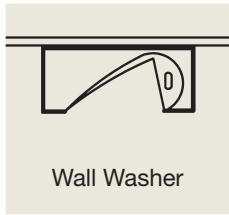


ELP

ENGINEERED LIGHTING
PRODUCTS

WLS SERIES

SURFACE Mount Wet Location Low Level Floodlight



Project
Doheny Eye Hospital
Los Angeles, California

Architect
Dworsky Associates
Los Angeles, California

Engineer
Cohen & Kanwar Inc.
Santa Monica, California

Photographer
Robin A. Higgin
South Pasadena, California

Lighting
226 QDWL-S, 52 watts

*Ideal placement is
18" to 36" from the
bottom edge of fixture
to the ground.*

System

Wet Location low level floodlights with a shallow depth of only 4". Their unique Regress Lens design is very low brightness. Fluorescent lamps combined with the high purity aluminum reflector system provides high light levels with low energy.



TYPE:
CATALOG #:
JOB:

WLS SERIES

SURFACE Mount Wet Location Low Level Floodlight

Specifications

Surface mounted wet location low level floodlight for one or two compact fluorescent lamps. Fixture is 4" deep and the one piece, formed reflector is high-purity aluminum (99.9%) with 95% reflectance. Combined with fluorescent lamps, the reflector system provides high light levels with low energy.

Housing is made of 18 gauge electro-plated galvanized steel, which is TGIC polyester powder coated and suitable for outdoor locations. Formed aluminum face plate attaches with screws and has a gasketed 3/16" acrylic regressed lens in most models. The regressed lens design provides very low brightness. Attached J-box suitable for through wiring. All fluorescent fixtures are supplied standard with Luminaire Disconnect.

UL/CUL Wet Location listed.

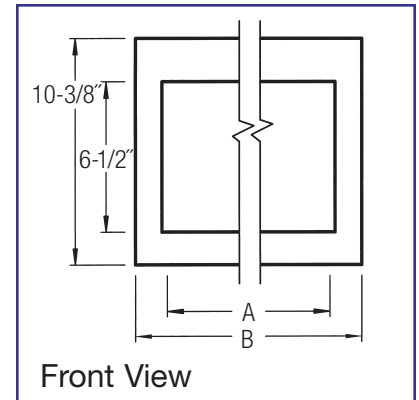
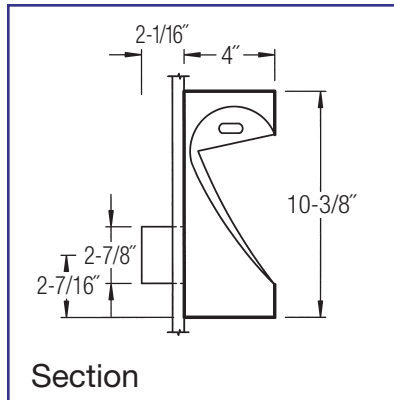
U.S. Patent #5,142,459

Options

Ballast	Low Temp 120 or 277 HPF Electronic (Standard)
Finish	Black (Standard) Bronze -BZ Custom -Custom
Fixture	Electro-Plated Galvanized Steel (Standard) Stainless Steel -SS
Lens	Supplied Standard as shown: ① Regressed Acrylic (Some Models) ② Regressed Polycarbonate -LEX (Some Models) ③ Flat Acrylic -FL (Some Models) ④ Flat Polycarbonate -FL-LEX (Available All Models) ⑤ Flat Tempered Glass -TGL (Available All Models)
Reflector	Diffuse Silver (Standard) Stepped Diffuse Silver -ST

Note: WLS Series fixtures project less than 2% of fixture lumens higher than 90 degrees from nadir (straight down) and in Zones LZ2 thru LZ4 can contribute to:

**LEED Sustainable Site Credit 8:
Light Pollution Reduction – 1 point**



Model No.	A	B	Lens	Lamp
113PLWLS	7-7/8"	10-3/4"	①	13 watt PL
213PLWLS	15-7/8"	19"	①	(2) 13 watt PL
118QDWLS	7-7/8"	10-3/4"	①	18 watt Quad
126QDWLS-LEX	7-7/8"	10-3/4"	②	26 watt Quad
126TTWLS-LEX	7-7/8"	10-3/4"	②	26 watt Triple Tube
132TTWLS-LEX	7-7/8"	10-3/4"	②	32 watt Triple Tube
142TTWLS-FL-LEX	7-7/8"	10-3/4"	④	42 watt Triple Tube
226QDWLS-LEX	15-7/8"	19"	②	(2) 26 watt Quad
226TTWLS-LEX	15-7/8"	19"	②	(2) 26 watt Triple Tube
232TTWLS-LEX	15-7/8"	19"	②	(2) 32 watt Triple Tube
242TTWLS-FL-LEX	15-7/8"	19"	④	(2) 42 watt Triple Tube
139BXWLS	15-7/8"	19"	①	39 watt Biax
140BXWLS	22-1/4"	25-3/8"	①	40 watt Biax
150BXWLS	22-1/4"	25-3/8"	①	50 watt Biax
155BXWLS	22-1/4"	25-3/8"	①	55 watt Biax
240BXWLS	44-1/4"	48"	①	(2) 40 watt Biax
250BXWLS	44-1/4"	48"	①	(2) 50 watt Biax
255BXWLS	44-1/4"	48"	①	(2) 55 watt Biax
117T-8WLS	22-1/4"	25-3/8"	①	(1) 17 watt T-8
132T-8WLS	46-3/4"	49-5/8"	③	(1) 32 watt T-8

NOTE: All fixtures use electronic ballast with -20° starting temperature.

