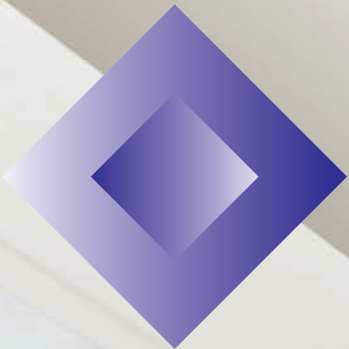


A Family of
Performance-Based
Linear LED
Asymmetric
Luminaires

ELP

www.elplighting.com



Superior Design
Superior Performance
Superior Adaptability



AK SERIES

SYSTEM

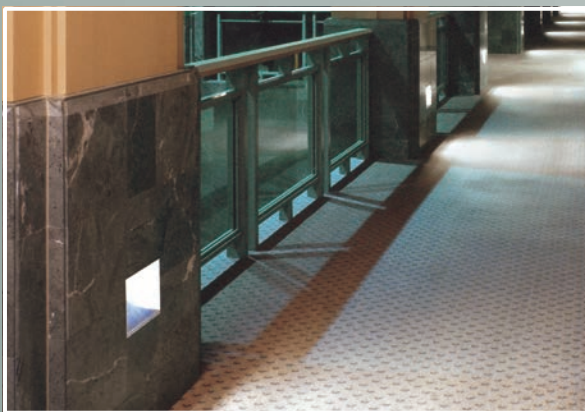
Shallow, high performance, IC Listed LED asymmetric/wall wash fixtures with exceptional shielding. Indirect optical design provides 100% shielding of the LEDs from any viewing angle. The shallow 3-1/2" housing allows wall installation in a standard 4" wall to wash the ceiling or floor with light. The formed, high purity aluminum reflector provides smooth, even, unscalped illumination without glare. Designed for use in educational, medical, commercial and residential applications.



The **SLEEK** AK Series is a versatile luminaire that can be a ceiling recessed wall washer. Mounted individually or in continuous runs, 24"-36" from a typical wall, this linear LED product provides uniform illumination on the vertical lighted surface (distance increases for taller walls). 2ft fixtures spaced up to 6ft on center still achieve consistent uniformity. With the superior performance of its patented optic system, exceptional light distribution and high lumens delivered per watt, it becomes an unbeatable product. The perfect partner to highlight your interior space!



The **UNOBTRUSIVE** AK Series with the trimless option is often used as a fully recessed luminaire in the wall as an indirect asymmetric uplight. With an ideal standoff of 18"-36" from the ceiling to center of aperture, this linear LED product delivers volumes of light onto your ceiling. When utilizing a white reflector the luminaire becomes a soft glow in the wall and interior. Because of its performance these wall recessed uplights can be the sole lighting system in the space.



The **LOW PROFILE** AK Series' 3-1/2" depth can fit into a standard, 2x4 stud wall. It can be used as a high lumen steplight for dark interiors. When fully lensed it offers additional safety and vandal resistance. The trimless option shown can be customized for different wall finishes such as marble or wood. CRI up to 90+ is available and 1% dimming is standard. With different control protocols available, the AK Series continues to provide adaptability for any interior, whether it's a residential, educational, commercial or healthcare application.

SPEC SHEET



IES FILES



VIDEO DEMO



INSTALL SHEET



BIM FILE



OPTIONS

The AK Series is one of the most flexible products in the lighting industry. It is able to adapt to many types of installations and interiors. There are many combinations of options to choose from. As a complete manufacturing facility located in Southern California we have the capabilities of fixture modifications and specials per your specifications. Listed below are just a few of the popular luminaire options.



LUMINAIRE DESCRIPTION

2ft length gypsum luminaire with white finish trim, 97% reflectance silver reflector, frosted mini lens, 25 watts, 2510 delivered lumens (includes lens loss), 3000K, 1% integral dimming standard.*

MODEL#

222W1WW-AK-MLF 30K

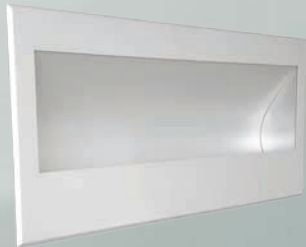


LUMINAIRE DESCRIPTION

Nominal 1x2 T-Bar lay-in luminaire, 97% reflectance silver reflector, 2ft, 49 watts, 6019 delivered lumens, 3500K, 1% integral dimming standard.*

MODEL#

444W1WW-AKTB2-35K



LUMINAIRE DESCRIPTION

2ft gypsum hospital grade luminaire with white anti-microbial finish and FFLP trim that is gasketed with clear acrylic lens, white reflector, 49 watts, 5167 delivered lumens (includes lens loss), 4000K, 1% integral dimming standard.*

MODEL#

444W1WW-AK2-HG-W-40K



LUMINAIRE DESCRIPTION

2ft trimless luminaire for 5/8" gypsum wall/ceiling installations, 97% reflectance silver reflector, 25 watts, 2298 delivered lumens 2700K, 90+ CRI, 1% integral dimming standard.*

MODEL#

222W1WW-AK-TLD-27K

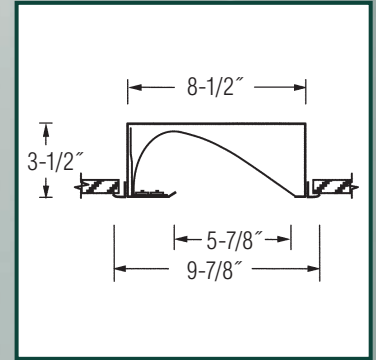
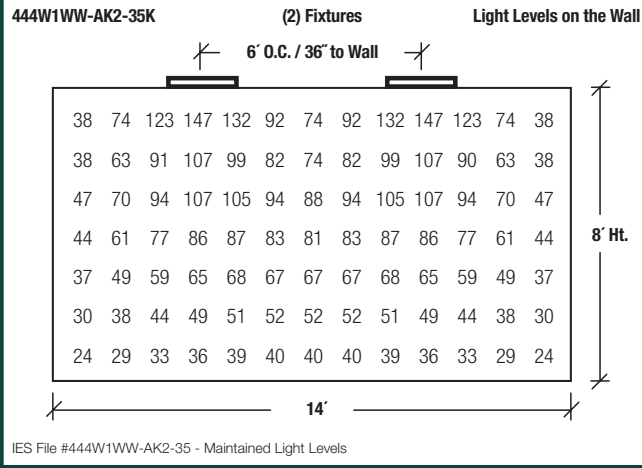
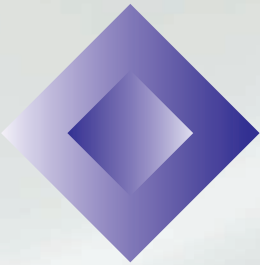
* See Specification Sheet for Available Dimming Options. Call Factory for Tunable White Options.

**QUALITY
MANUFACTURING
SINCE 1985!**

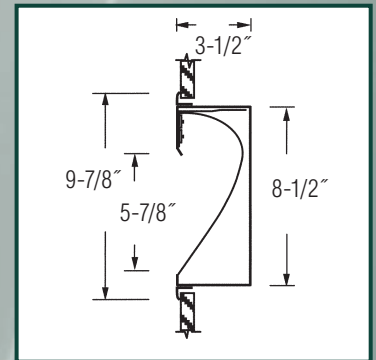
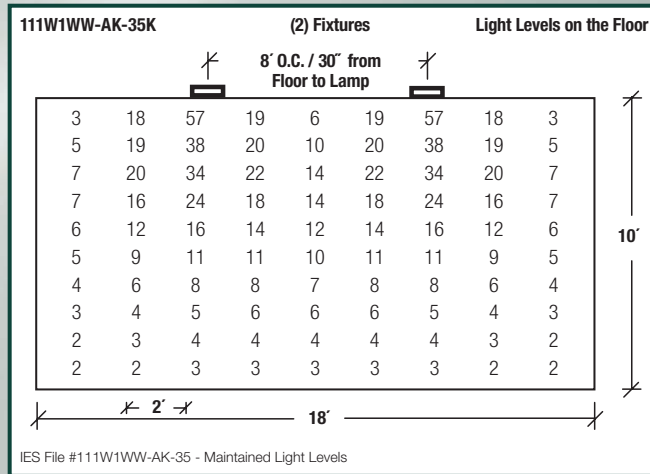
AK SERIES



www.elplighting.com



AK SERIES TYPICAL WALL WASH



AK SERIES TYPICAL FLOOR WASH

FEATURING LED MODULES AND DRIVERS BY

OSRAM

10768 Lower Azusa Road
El Monte, CA 91731 USA

(626) 579-0943

contact@elplighting.com

Please visit www.elplighting.com to find your nearest representative.



Innovative Illumination