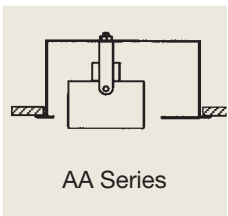


**ELP**

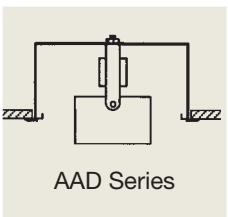
ENGINEERED LIGHTING  
PRODUCTS

## AA & AATB SERIES AAD & AADTB SERIES

RECESSED Adjustable Accent Downlights  
for Drywall and T-Bar



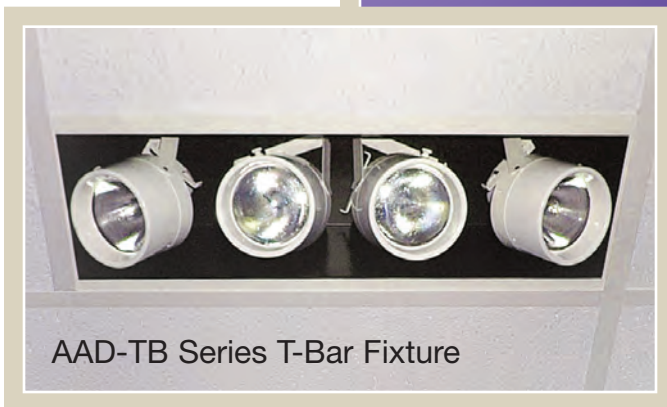
AA Series



AAD Series



AA-TB Series T-Bar Fixture

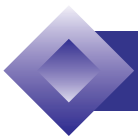


AAD-TB Series T-Bar Fixture

*RECESSED multi-head adjustable  
accent downlights designed  
to reduce ceiling clutter.*

### System

Accent fixtures allow individual lamp head aiming in two and four lamp configurations. The AA & AATB Series “off-set” design complements and can be used in conjunction with the AK & AKTB Series wall wash fixtures. The AAD & AADTB Series design provides a symmetric housing with black interior.



## Metal Halide

TYPE:  
 CATALOG #:  
 JOB:

RECESSED Adjustable Accent for Drywall and T-Bar  
 To match the look of the AK & AKTB Series Wall Washers

### Specifications

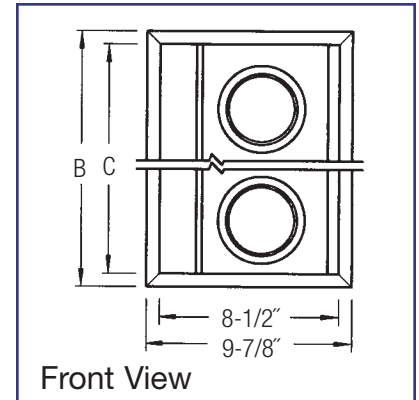
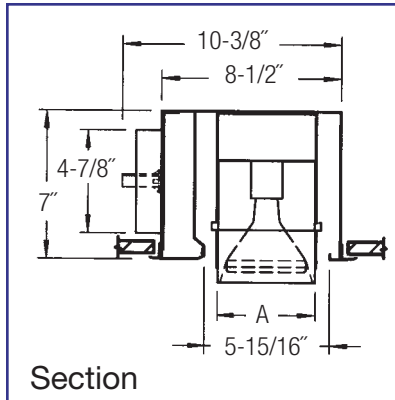
Recessed housing with two or four adjustable accent lights for use with 39 or 70 watt Par 20 or 30 Metal Halide high color rendering lamps. These lamps provide excellent color rendering, long life and high light output. Available for T-Bar or drywall installations. The fixture is designed to look similar to the AK & AKTB Series wall wash fixtures and may be used in conjunction with them. Individual lamp heads allow 290° swivel and 45° tilt. Internal access panel provides easy access to wiring and ballast.

TGIC polyester powder-coated housing is made of 22 gauge CRS with cover and knock-outs that provide quick wire access to the side of the fixture for through wiring. The trim for drywall fixtures is extruded aluminum.

UL/CUL Damp Location listed.

### Options

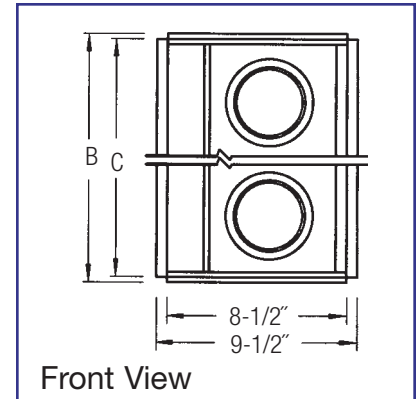
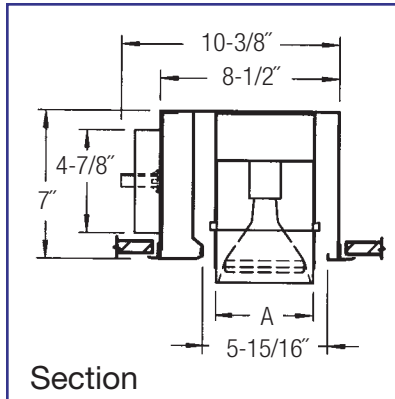
- Ballast 120 or 277 Electronic (Standard)
- Finish White (Standard)  
Custom -Custom
- Lens Color (Specify)  
Spread -SPL
- Louver Honey Comb -LVB
- Trimless Gypsum/Drywall Installation -TLD  
Plaster Installation -TLP  
(See Trimless Sheet for dimensions)



### AA Series for Drywall Installations

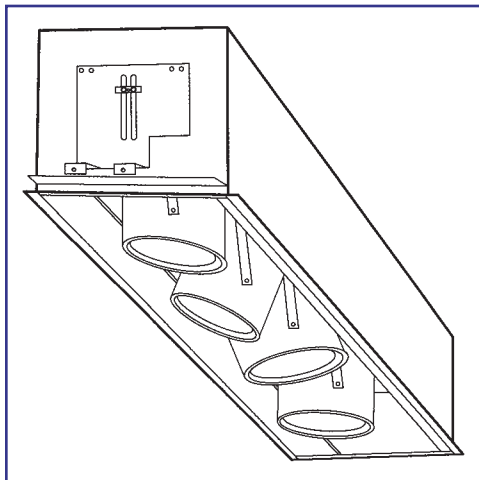
Model No.	A	B	C	Rough-in Dimensions	Lamp
239 PAR20MHAA*	3-5/8"	13-3/8"	12"	9-1/8" x 12-1/2"	(2) 39 watt Par 20 Metal Halide
239 PAR30MHAA*	4-1/2"	13-3/8"	12"	9-1/8" x 12-1/2"	(2) 39 watt Par 30 Metal Halide
270 PAR30MHAA*	4-1/2"	13-3/8"	12"	9-1/8" x 12-1/2"	(2) 70 watt Par 30 Metal Halide
439 PAR20MHAA	3-5/8"	24-5/16"	22-15/16"	9-1/8" x 23-1/2"	(4) 39 watt Par 20 Metal Halide
439 PAR30MHAA	4-1/2"	24-5/16"	22-15/16"	9-1/8" x 23-1/2"	(4) 39 watt Par 30 Metal Halide
470 PAR30MHAA	4-1/2"	24-5/16"	22-15/16"	9-1/8" x 23-1/2"	(4) 70 watt Par 30 Metal Halide

\* Can also be used in T-Bar ceilings.



### AA Series for T-Bar Installations

Model No.	A	B	C	Lamp
439 PAR20MHAA-TB	3-5/8"	23-7/8"	23-7/16"	(4) 39 watt Par 20 Metal Halide
439 PAR30MHAA-TB	4-1/2"	23-7/8"	23-7/16"	(4) 39 watt Par 30 Metal Halide
470 PAR30MHAA-TB	4-1/2"	23-7/8"	23-7/16"	(4) 70 watt Par 30 Metal Halide



**Continuous Mount** – If the fixtures are being mounted in a continuous row in a drywall ceiling, add “CC” to the catalog number and provide the row configuration (i.e. (6) 6’ rows), so proper trims may be provided.

Rough-In Dimension = (Entire length of row, add all “C” lengths + 1/2”) x 9-1/8”.

Dimensions do not apply to Trimless installations.



TYPE:  
CATALOG #:  
JOB:

## Tungsten Halogen

RECESSED Adjustable Accent for Drywall and T-Bar  
To match the look of the AK & AKTB Series Wall Washers

### Specifications

Recessed housing with four adjustable accent lights for use with 50 watt MR-16 or Par 30 lamps in T-Bar or drywall installations. Fixture is designed to look similar to our *AK & AKTB Series* wall wash fixtures and may be used in conjunction with them. Individual lamp heads allow 290° swivel and 40° tilt. The 5" deep housing allows access to the fixture wiring when the wire channel is removed. An additional access panel is provided in the MR-16 fixture for access to the 12 volt transformers. Springs secure the lamps within the cylinder and protective glass lamp shields are provided for the MR-16 fixtures.

TGIC polyester powder coated housing is made of 22 gauge CRS with cover and knock-outs that provide quick wire access to the back of fixture for through wiring. The trim for drywall fixtures is extruded aluminum.

UL/CUL Damp Location listed.

### Options

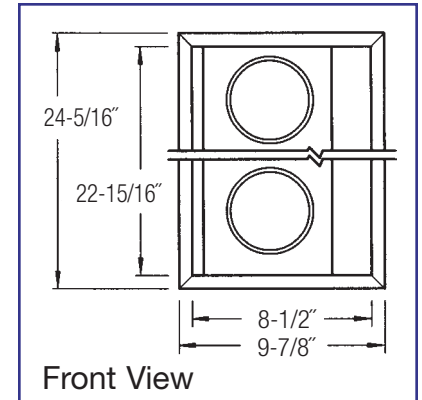
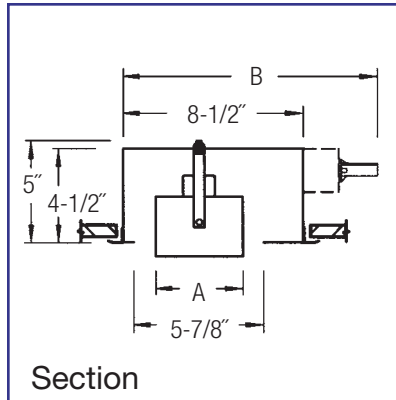
Transformer 120 or 277 Electronic (Standard)

Finish White (Standard)  
Custom -Custom

Lens Color (Specify)  
Spread -SPL

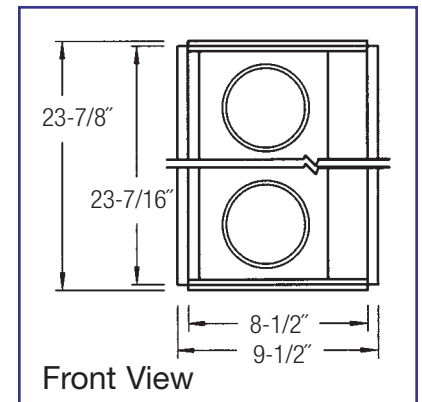
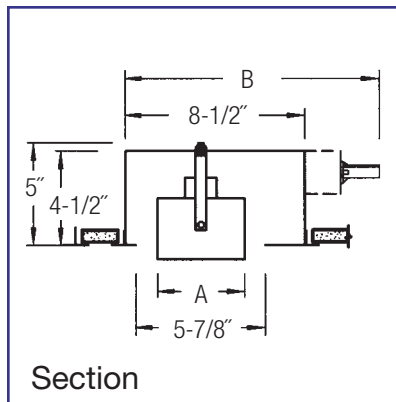
Louver Honey Comb -LVB

Trimless Gypsum/Drywall Installation -TLD  
Plaster Installation -TLP  
(See TRIMLESS Sheet for dimensions)



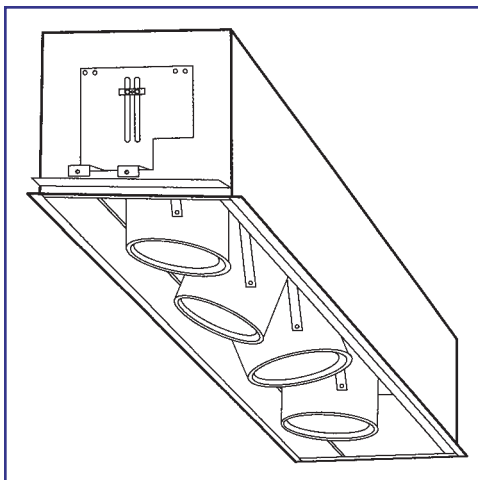
### AA Series for Drywall Installations

Model No.	A	B	Rough-In Dimensions	Lamp
450 MR-16AA	3"	12-1/8"	9-1/8" x 23-1/2"	(4) 50 watt MR-16
450 PAR30AA	4-1/2"	10-3/8"	9-1/8" x 23-1/2"	(4) 50 watt Par 30



### AATB Series for T-Bar Installations

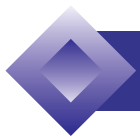
Model No.	A	B	Lamp
450 MR-16AATB	3"	12-1/8"	(4) 50 watt MR-16
450 PAR30AATB	4-1/2"	10-3/8"	(4) 50 watt Par 30



**Continuous Mount** – If the fixtures are being mounted in a continuous row in a drywall ceiling, add "CC" to the catalog number and provide the row configuration (i.e. (6) 12' rows), so proper trims may be provided.

Rough-In Dimension = (Entire length of row without trims + 1/2") x 9-1/8".

Dimensions do not apply to Trimless installations.



## ELP

TYPE:  
CATALOG #:  
JOB:

## Tungsten Halogen RECESSED Adjustable Accent Downlights for Drywall and T-Bar

### Specifications

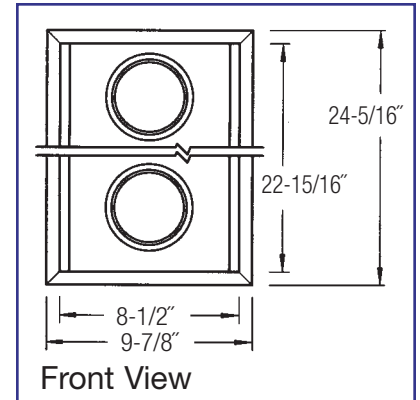
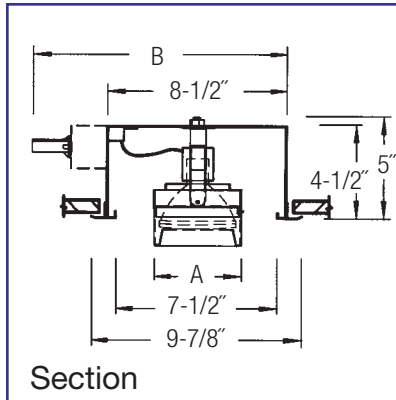
Recessed downlight housing with four adjustable accent lights for use with (4) 50 watt Par 30 or low-voltage MR-16 lamps in T-Bar or drywall installations. This fixture centers the accent lights within the housing allowing for maximum vertical adjustment. Individual lamp heads allow 290° swivel and 40° tilt. The 5" deep housing allows access to the fixture wiring when the wire channel is removed. An additional panel is provided in the MR-16 fixture for access to the 12 volt transformers.

TGIC polyester powder-coated housing is made of 22 gauge CRS with cover and knock-outs that provide quick wire access to the back of the fixture for through wiring. Fixture face and lamp cylinders have white finish and the housing interior is black.

UL/CUL Damp Location listed.

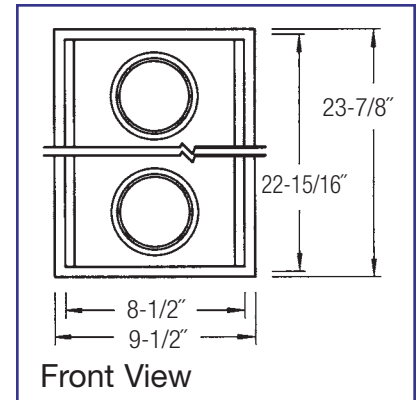
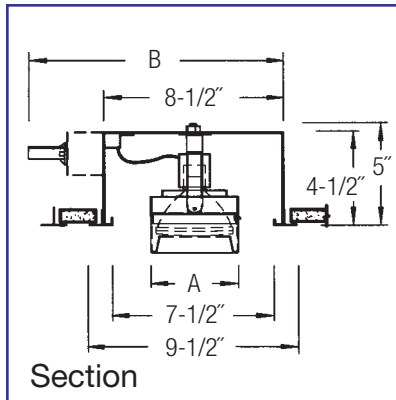
### Options

- Transformer 120 or 277 Electronic (Standard)
- Trim Finish White (Standard)  
Custom -Custom
- Lens Color (Specify)  
Spread -SPL
- Louver Honey Comb -LVB
- Trimless Gypsum/Drywall Installation -TLD  
Plaster Installation -TLP  
(See Trimless Sheet for dimensions)



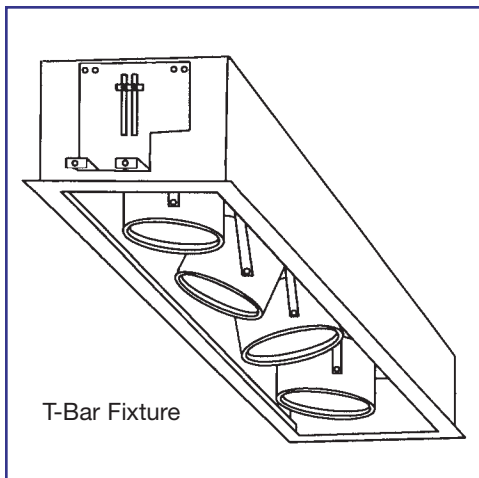
### AAD Series for Drywall Installations

Model No.	A	B	Rough-In Dimensions	Lamp
450 MR-16AAD	3"	12-1/8"	9-1/8" x 23-1/2"	(4) 50 watt MR-16
450 PAR30AAD	4-1/2"	10-3/8"	9-1/8" x 23-1/2"	(4) 50 watt Par 30



### AADTB SERIES for T-Bar Installations

Model No.	A	B	Lamp
450 MR-16AAD-TB	3"	12-1/8"	(4) 50 watt MR-16
450 PAR30AAD-TB	4-1/2"	10-3/8"	(4) 50 watt Par 30



**Continuous Mount** – If the fixtures are being mounted in a continuous row in a drywall ceiling, add “CC” to the catalog number and provide the row configuration (i.e. (6) 12’ rows), so proper trims may be provided.

Rough-In Dimension = (Entire length of row, without trims + 1/2”) x 9-1/8”.

Dimensions do *not* apply to Trimless installations.