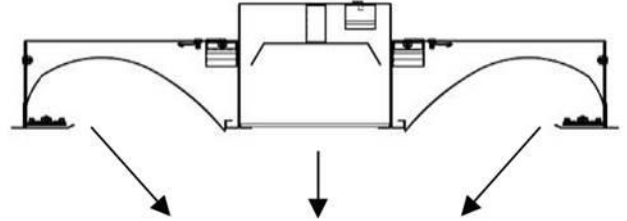
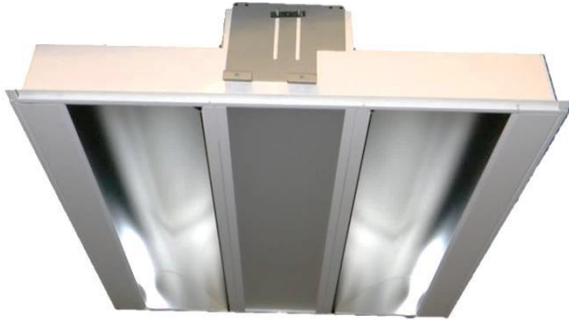


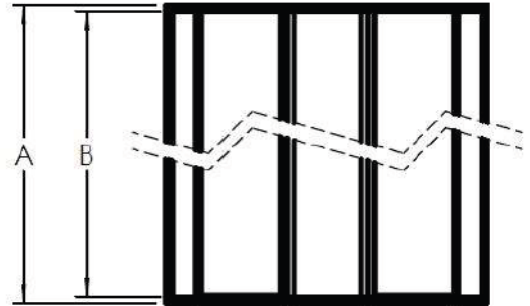
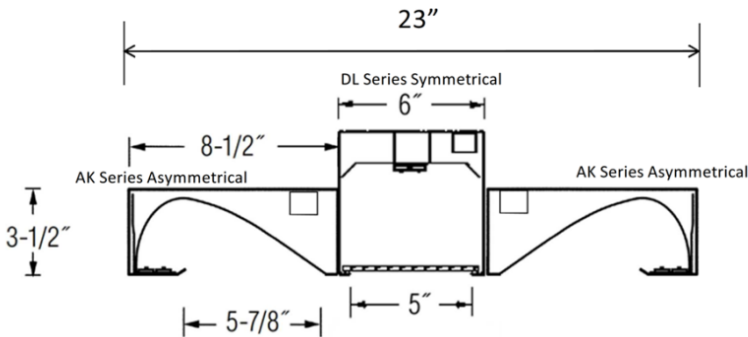


AKDL-TB LED SERIES

RECESSED Indirect for Vertical Illumination for Video Conferencing



Recessed 2X2 and 2X4 fixtures designed to be installed over the center of the table with an indirect and direct performance combination. Provides an asymmetric cross wash of light to provide illumination for VIDEO CONFERENCING participants along both sides of a table as well as a center downlight.



Model Number	Size	A	B	Lamp
3-222W1AKDL-TB-(__K)	2x2	23-3/4"	23-3/4"	(6) 10.8w LEDs
3-444W1AK2DL-TB-(__K)	2X2	23-3/4"	23-3/4"	(12) 10.8w LEDs
3-444W1WWAKDL-TB-(__K)	2X4	47-3/4"	47"	(12) 10.8w LEDs
3-888W1WWAKDL-TB-(__K)	2X4	47-3/4"	47"	(24) 10.8w LEDs

STANDARD FEATURES:

Driver: 120/277 0-10 Volt Osram True 1% dimming

Finish: White TGIC Polyester Power Coat

c/CSA/us Damp Location Listed. IC Rated

Made in the USA

U.S. Patent #9,726,337

AVAILABLE OPTIONS:

DRIVER	ADD TO MODEL NUMBER
2-wire, Lutron LTE 1% (120 Volt Only)	-DM7
Digital, Lutron LDE 1%	-DM8

(Lutron LDE features include Soft-On, Fade to Black & Guaranteed 1% dimming)

0-10 VOLT PROGRAMMABLE	ADD TO MODEL NUMBER
End of Life	-EOL
Soft Start	-SFT
Dim to Off	-DTO

LED (MUST SPECIFY)	ADD TO MODEL NUMBER
2700K (90+ CRI)	-27K
3000K	-30K
3500K	-35K
4000k	-40K

FINISH	ADD TO MODEL NUMBER
Anti-Microbial White	-MB
Custom Color	-CUSTOM

LENS for "AK"	ADD TO MODEL NUMBER
Clear Acrylic Mini Lens	-ML
Frosted Mini Lens	-MLF

MISCELLANEOUS	ADD TO MODEL NUMBER
Custom Lower Lumen Output. Factory Programmed (Consult Factory)	-LL
Osram Connected Lighting Module	-WLMS
Louver	-LVR
Emergency Back-up 11 Watt	-EPP