

ELP

ENGINEERED LIGHTING
PRODUCTS

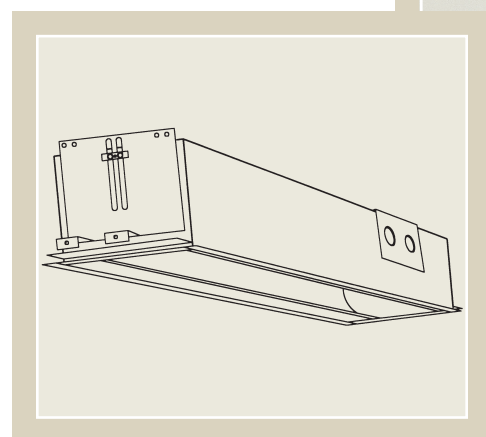
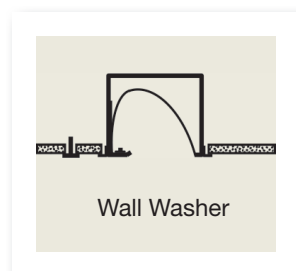
Photographer:
Michael Sean
South Pasadena, California

Lighting:
240 BXDW-TB, 80 watts

**Now with
LED options!**

DWTB SERIES

RECESSED Display Wall Wash/Grazer
for T-Bar Lay-in



*Ideal placement is 8" to 12"
from the front edge of fixture
to the surface you are
lighting, at 8' to 10' height.*

System

Narrow, wall wash/grazer fixtures specifically designed for close placement to the surface to be illuminated (less than 2') in suspended ceiling installations. The formed, one piece reflectors supply a strong vertical throw of light to smooth the brightness at the top of the wall and provide even, unscaloped illumination.



TYPE:
CATALOG #:
JOB:

RECESSED Display Wall Wash/Grazer
for T-Bar Lay-in LED Fixtures

Specifications

Narrow, recessed LED wall wash/grazer for T-Bar installations. The 2' fixture utilizes two high efficacy, LED modules at 22 watts and the 4' has four modules at 44 watts. Fixtures utilize Osram PrevaLED® arrays that are 80+ CRI and rated greater than 60,000 hours. Strong vertical throw of light allows the fixture to be placed closer to the wall than a typical wall wash/grazer unit. The one piece, formed reflector is TGIC polyester powder coated in high reflectance matte white. It is easily removable without tools for access to the driver and wiring. The indirect reflector design provides even unscalped illumination with no glare or view of LEDs from any angle.

TGIC polyester powder coated housing is made of 22 gauge CRS with cover and knock-outs that provide quick wire access to side or back of fixture for through wiring. Fixtures are supplied standard with Luminaire Disconnect. All LED fixtures are provided standard with dimming and a 5-year warranty. c/CSA/us Damp, IC Listed.

U.S. Patent #5,142,459

Options

Driver 120/277 0-10volt, Osram OT 1% Dim (Standard)

For Alternate Dimming:

DM6 Hi-Lume 1% Eco-System /3-wire L3D

LED Color Must Specify *
27K @ 90+ CRI or
30K; 35K or 40K @ 80+ CRI

Finish White (Standard)
Anti-Microbial White -MB
Custom -Custom

Reflector Painted White -W (Standard)

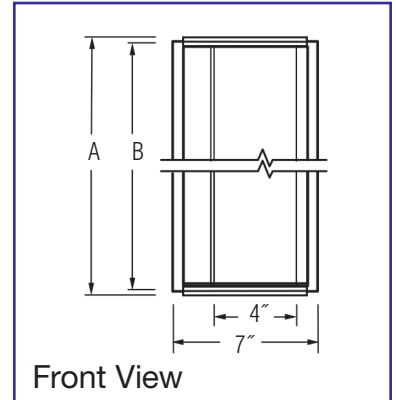
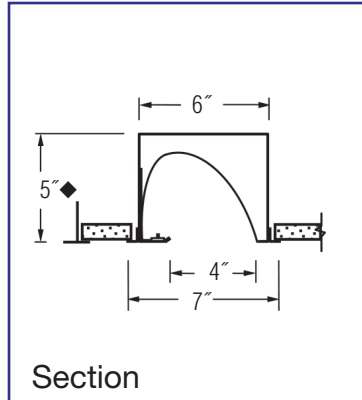
Lens Clear Mini Lens -ML
Frosted Mini Lens -MLF

Louver Diffuse Silver Parallel Blade -LV

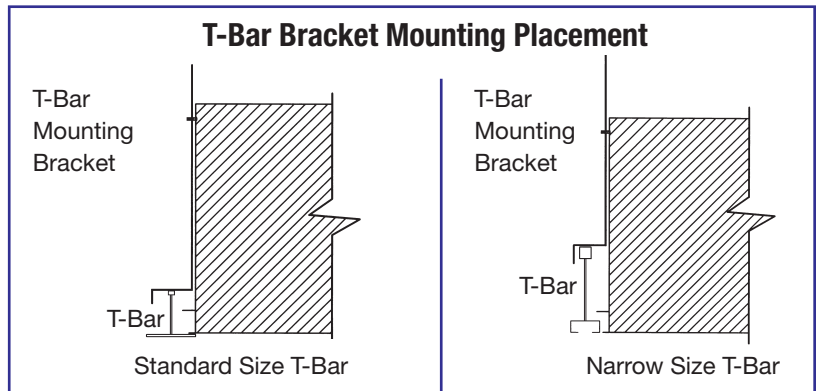
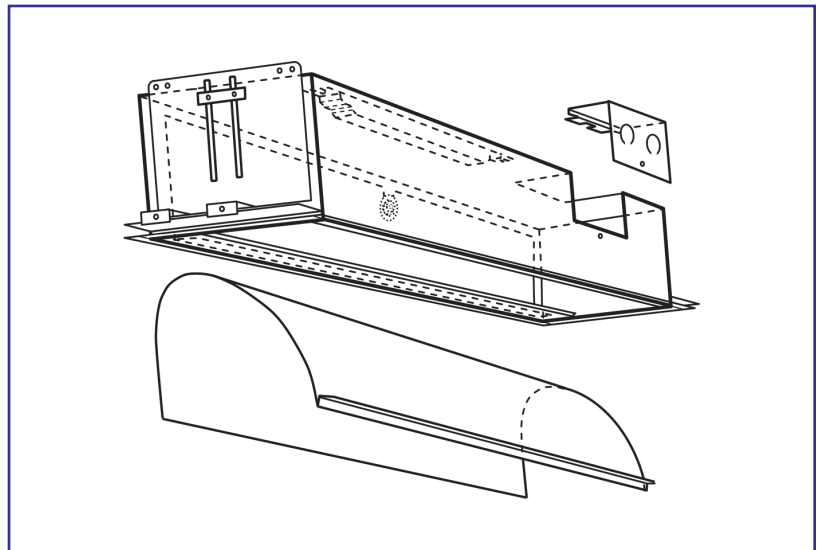
Lower Lumen Requires Lower Light Output -LL**
** Consult Factory.

Mounting Individual T-Bar Recessed (Standard)
Continuous Slot (no corners) -SLOT
(See Slot Instructions, no corners
Requires row lengths, i.e. (6) 12' Rows)

Reflector Painted White -W (Standard)



Model No.	A	B	Lamp	**Fixture Lumens
222W1DW-TB-W>(* K)	23-7/8	23-7/16"	(2) 10.8w LEDs	1598
444W1DW-TB-W>(* K)	47-7/8	47-7/16"	(4) 10.8w LEDs	3197



NOTE: Full Lens is not available for T-Bar units.

* Must Specify LED Color Temperature: 27K; 30K; 35K or 40K.

◆ 6" ht. when provided in continuous row with AAM or DL Series.



DWTB SERIES

TYPE:
CATALOG #:
JOB:

RECESSED Display Wall Wash/Grazer for T-Bar Lay-in Fluorescent Fixtures

Specifications

Narrow, recessed, lay-in fluorescent wall washer for use with Biax, T-5 and T-8 lamps, for T-bar ceiling installations. May be mounted end to end within the grid. Fixture is 5" deep with ballast(s) mounted within housing. Strong vertical throw of light allows the fixture to be placed closer to the wall than a typical wall wash unit. Use only if you are restricted to close placement to the wall. The one piece, formed reflector is high purity aluminum (99.9%) with 97% reflectance. It is easily removable without tools for access to the ballast and wiring. Reflector design provides even, unscalloped illumination with no glare and offers exceptional lamp shielding from the normal viewing angle.

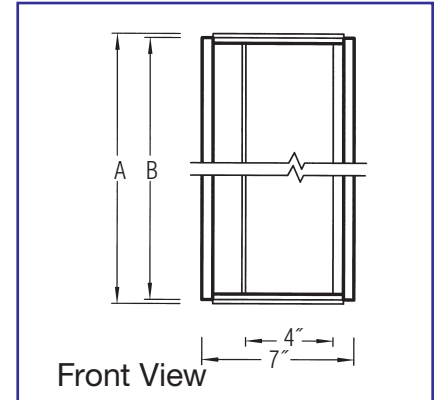
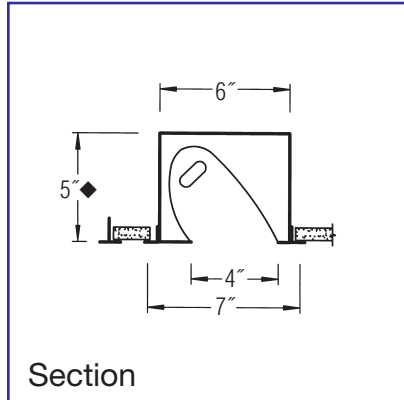
TGIC polyester powder coated housing is made of 22 gauge CRS with cover and knock-outs that provide quick wire access to side or back of fixture for through wiring. All fluorescent fixtures are supplied standard with Luminaire Disconnect.

UL/CUL Damp Location Listed.

U.S. Patent #5,142,459

Options

- Ballast 120 or 277 HPF Electronic (Standard)
Dimming (Some models) -DM
Emergency (Some models) -EPP
- Finish White (Standard)
Anti-Microbial White -MB
Custom -Custom
- Reflectors Diffuse Silver 97 (Standard)
Specular Silver -SP
Painted White -W
- Lens Clear Lexan Mini Lens -ML
Frosted Lexan Mini Lens -MLF
- Louver Diffuse Silver Parallel Blade -LV
- Mounting Individual T-Bar Recessed (Standard)
Continuous Row (Specify for T-8) -CC
(Requires row lengths, i.e. (6) 12' Rows)
Continuous Wall Slot -SLOT
(See Slot Instructions, no corners
Requires row lengths, i.e. (6) 12' Rows)



Model No.	A	B	Lamp
140 BXDW-TB	23-7/8"	23-7/16"	40 watt Biax
150 BXDW-TB	23-7/8"	23-7/16"	50 watt Biax
155 BXDW-TB	23-7/8"	23-7/16"	55 watt Biax
240 BXDW-TB	47-7/8"	47-7/16"	(2) 40 watt Biax
250 BXDW-TB	47-7/8"	47-7/16"	(2) 50 watt Biax
255 BXDW-TB	47-7/8"	47-7/16"	(2) 55 watt Biax
114 T-5DW-TB	23-7/8"	23-7/16"	14 watt T-5
124 T-5DW-TB	23-7/8"	23-7/16"	24 watt T-5 HO
128 T-5DW-TB	47-7/8"	47-7/16"	28 watt T-5
154 T-5DW-TB	47-7/8"	47-7/16"	54 watt T-5 HO
117 T-8DW-TB (add 'cc' if mounting end to end)*	24"	23-7/16"	17 watt T-8
132 T-8DW-TB (add 'cc' if mounting end to end)*	48"	47-7/16"	32 watt T-8

* No more than 5 in a row. ♦ 6" ht. when provided in continuous row with AAMTB or DLTB Series.

