

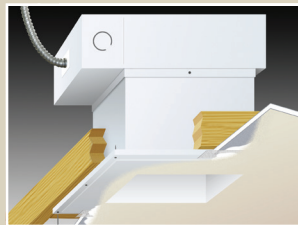
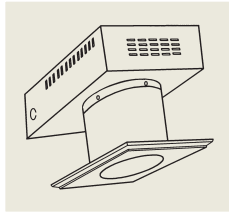
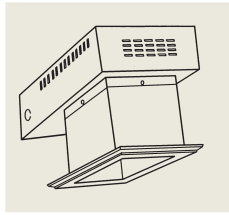
**ELP**

ENGINEERED LIGHTING  
PRODUCTS

Project  
Louisiana State University  
Baton Rouge, Louisiana  
Specifier  
Trahan Architects  
Baton Rouge, Louisiana

**Now with  
LED options!**

RECESSED Hole In The Ceiling Light Niche  
For Plaster or Drywall



Project  
Vance Residence

*Cast Downlights integrate  
into your ceiling for the  
custom built look of a  
drywall light niche.*

**System**

Round and Square aperture downlights cast with GRG (Glass fiber Reinforced Gypsum) composite material. Once installed, the fixture actually appears to be part of your ceiling and looks like a custom formed drywall "light niche" that blends with any interior motif.



# HITC SERIES

TYPE:  
CATALOG #:  
JOB:

RECESSED LED Hole In The Ceiling Niche  
For Plaster or Drywall

## Specifications

New LED options for the "Hole In The Ceiling" fixtures are available in round or square 4-1/2", 6", 8" and 10" apertures for 16, 20, 25 and 25 watts respectively. Fixtures utilize Bridgelux LEDs and are 90+CRI. These high color rendering LED lamps are an energy saving alternative to halogen and fluorescent sources. The recessed GRG fixture is fiberglass reinforced cast plaster with integral electrical components. All electrical components in the metal "Top Hat" are accessible through the bottom of the fixture. The LED dimming driver is supplied standard. Please specify.

The durable, GRG casting mounts directly to stud construction and allows 5/8" gypsum board construction butting the fixture. Metal "Top Hat" components combine 20 gauge CRS and aluminum for proper cooling of the LED. CRS components are TGIC polyester powder coated.

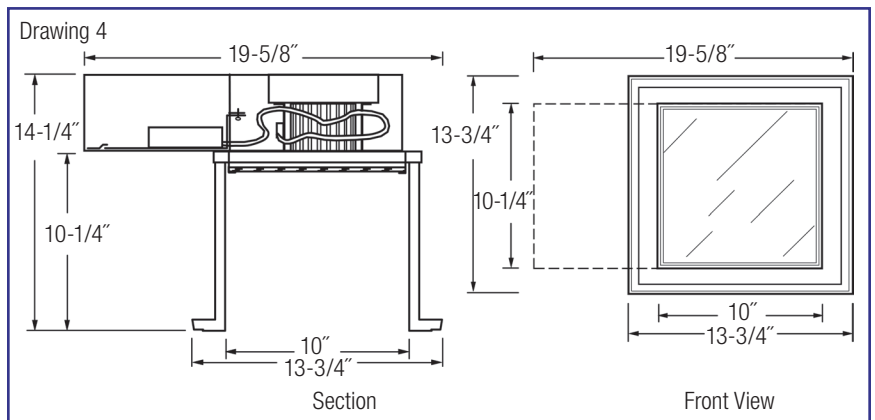
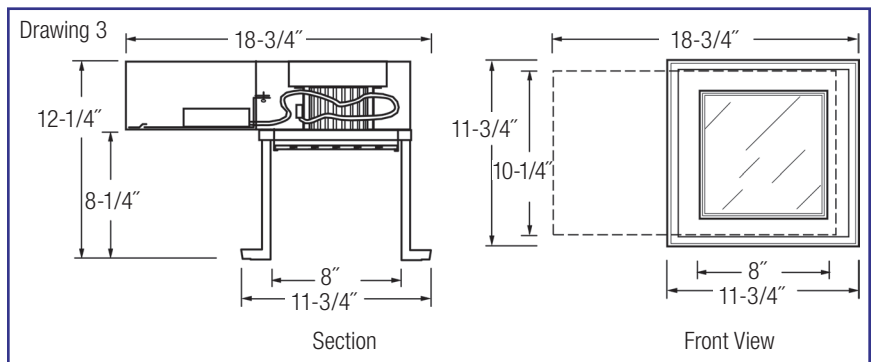
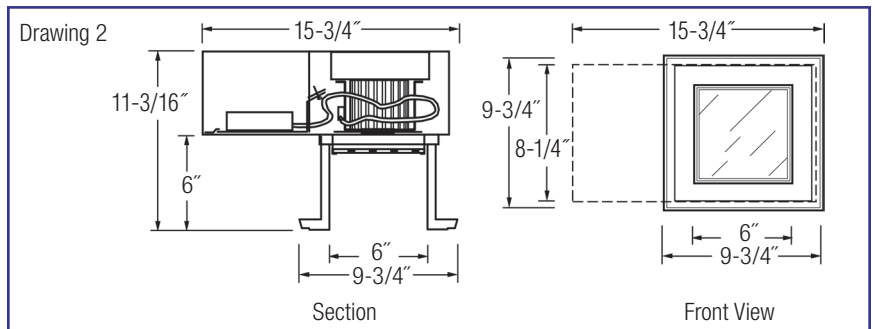
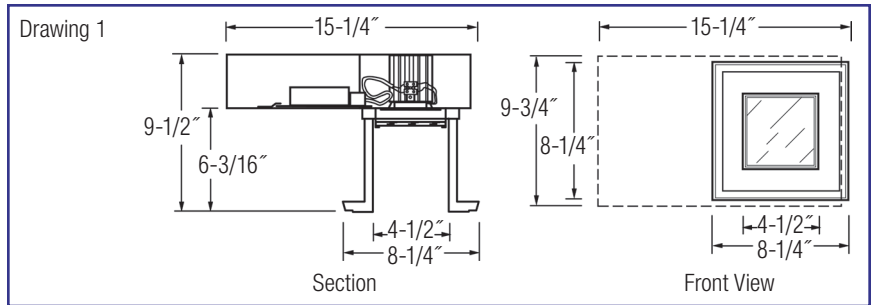
**NOTE: Please do not specify or try to install this product without clear understanding of the installation instructions.**

c/CSA/us IC Listing in process.

Patent #7,824,059.

## Options

- Driver 120- 277 Electronic Dimming (Specify)  
Osram, 0-10v (Standard)  
Lutron, 3 wire, Digital -L3D  
Lutron, 2 wire -LTE 120v Ony
- IC IC (Standard)
- LED **Must Specify (Lumens vary per color)**  
2700K -27K  
3000K -30K  
3500K -35K  
4000K -40K
- Lens Frosted Acrylic -MLF (Standard)
- Residential For 7-7/8" Height, -8H ◆
- Height
- Metal Finish White (Standard)  
Anti-Microbial White -MB



\* Multipliers = Lutron L3D is .9 / Lutron LTE is .75

\*\* S or R in Number indicates Square or Round Aperture.

◆ Available for Residential Height of 7-7/8" (Add -8H)

Model**	Drawing	Watts	* Fixture Lumens for 3500K
116W1-HITC (S or R)-4 ◆	1	16	650
120W1-HITC (S or R)-6	2	20	1175
125W1-HITC (S or R)-8	3	25	1525
125W1-HITC (S or R)-10	4	25	1525



TYPE:  
CATALOG #:  
JOB:

RECESSED Hole In The Ceiling Niche  
For Plaster or Drywall

## Specifications

Recessed fixture for use with several compact fluorescent, incandescent and PAR metal halide options. The GRG fixture is fiberglass reinforced cast plaster with integral electrical components. All electrical components in the metal "Top Hat" are accessible through the bottom of the fixture. Metal "Top Hat" is 20 gauge CRS that is post painted with TGIC polyester powder coating, with cover and knock-outs for wiring. Adjustable fixtures tilt 35° and rotate 359°. All fluorescent units are supplied standard with Luminaire Disconnect. Casting mounts directly to stud construction. Allowance is made for 5/8" gypsum board construction butting fixture. I.C. / Airtight options are available.

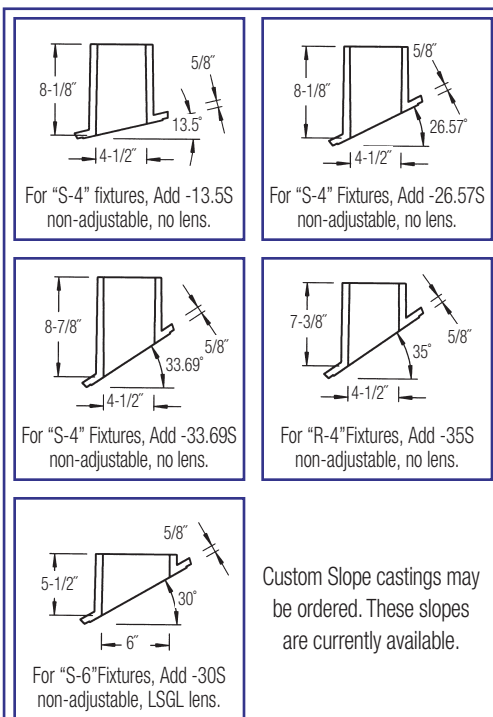
**NOTE: Please do not specify or try to install this product without clear understanding of the installation instructions.**

UL/CUL Damp Location listed.

Patent #7,824,059.

## Options

Ballast & Transformers	120 or 277 Electronic (Standard) Dimming (Some models) -DM Magnetic Q-Trans (as shown) -QT
Custom Heights	Available, Consult Factory
I.C. and Airtight	Available (as shown)-IA
Frosted Lexan Lens	Fluorescent Models Only – MLF
Milk White Glass Lens	Lift & Shift Lens(as shown)-LSGL
Residential Height	4" Apertures marked ♦, 7-7/8"Ht. – 8H
Metal Finish	White (Standard) Anti-Microbial White -MB



Model No. **	Drawing	A	B	C	D	E	F	Lamp
140A19-HITC (S or R)-4 ♦	12	4-1/2"	9-1/8"	11-1/2"	8-1/4"	6"	5-1/2"	Max 40 watt A-19
150PAR-HITC (S or R)-4-IA	8	4-1/2"	11"	14-1/2"	8-1/4"	5-1/4"	14-1/8"	Max 50 w Par30
175PAR-HITC (S or R)-4 ♦	10	4-1/2"	9-1/8"	11-1/2"	8-1/4"	6"	5-1/2"	Max 75 w Par30
150HAL-HITC (S or R)-4-LSGL	7	4-1/2"	9-7/8"	11-1/2"	8-1/4"	5-5/8"	5-1/2"	Max 50 w T-4 Bipin
150MR16-HITC (S or R)-4-IA	5	4-1/2"	11"	14-1/2"	8-1/4"	5-1/4"	14-1/8"	*Max 50 w MR-16
150MR16-HITC (S or R)-4-IA-ADJ	6	4-1/2"	11"	14-1/2"	8-1/4"	5-1/4"	14-1/8"	*Max 50 w MR-16
165MR16-HITC (S or R)-4-LSGL-QT	4	4-1/2"	9-3/4"	11-1/2"	8-1/4"	4-1/4"	5-1/2"	Max 65 w MR-16
165MR16-HITC (S or R)-4 ♦	1	4-1/2"	9-1/8"	11-1/2"	8-1/4"	4-3/4"	5-1/2"	*Max 65 w MR-16
150MR16-HITC (S or R)-4-ADJ	2	4-1/2"	9-1/8"	11-1/2"	8-1/4"	4-3/4"	5-1/2"	*Max 50 w MR-16
165MR16-HITC(S or R)-4-LSGL	3	4-1/2"	9-7/8"	11-1/2"	8-1/4"	5-5/8"	5-1/2"	Max 65 w MR-16
1100A19-HITC (S or R)-6 ‡	12	6"	11-1/8"	14-3/8"	9-3/4"	6-1/8"	8-1/8"	Max 100 watt A-19
1100A19-HITC (S or R)-6-LSGL	13	6"	11-1/8"	14-3/8"	9-3/4"	6-1/8"	8-1/8"	Max 100 watt A-19
150PAR-HITC (S or R)-6-IA	9	6"	11-1/8"	14-3/8"	9-3/4"	6-1/8"	8-1/8"	Max 50 w Par30
150PAR-HITC (S or R)-6-IA-ADJ	11	6"	11-1/8"	14-3/8"	9-3/4"	6-1/8"	8-1/8"	Max 50 w Par20
150PAR-HITC (S or R)-6-ADJ	11	6"	11-1/8"	14-3/8"	9-3/4"	6-1/8"	8-1/8"	Max 50 w Par20
1150PAR-HITC (S or R)-6 ‡	9	6"	11-1/8"	14-3/8"	9-3/4"	6-1/8"	8-1/8"	Max 150 w Par38
213QD-HITC (S or R)-6 ‡	14	6"	11-1/8"	15-1/2"	9-3/4"	6-1/8"	8-1/8"	(2) 13 w Quad
213QD-HITC (S or R)-6-LSGL	16	6"	11-1/8"	15-1/2"	9-3/4"	6-1/8"	8-1/8"	(2) 13 w Quad
218TT-HITC (S or R)-6 + ‡	14	6"	11-1/8"	15-1/2"	9-3/4"	6-1/8"	8-1/8"	(2) 18 w Triple Tube
218TT-HITC (S or R)-6-LSGL +	16	6"	11-1/8"	15-1/2"	9-3/4"	6-1/8"	8-1/8"	(2) 18 w Triple Tube
226TT-HITC (S or R)-6 + ‡	14	6"	11-1/8"	15-1/2"	9-3/4"	6-1/8"	8-1/8"	(2) 26 w Triple Tube
226TT-HITC (S or R)-6-LSGL +	16	6"	11-1/8"	15-1/2"	9-3/4"	6-1/8"	8-1/8"	(2) 26 w Triple Tube
1100A19-HITC (S or R)-8	12	8"	12-1/4"	13-1/2"	11-3/4"	8-1/4"	10"	Max 100 w A19
1150PAR-HITC (S or R)-8	9	8"	12-1/4"	13-1/2"	11-3/4"	8-1/4"	10"	Max 150 w Par38
213QD-HITC (S or R)-8	14	8"	12-1/4"	18-1/2"	11-3/4"	8-1/4"	10"	(2)13 w Quad
213QD-HITC (S or R)-8-LSGL	16	8"	12-1/4"	18-1/2"	11-3/4"	8-1/4"	10"	(2)13 w Quad
218QD-HITC (S or R)-8 +	14	8"	12-1/4"	18-1/2"	11-3/4"	8-1/4"	10"	(2)18 w Quad
218QD-HITC (S or R)-8-LSGL +	16	8"	12-1/4"	18-1/2"	11-3/4"	8-1/4"	10"	(2)18 w Quad
218TT-HITC (S or R)-8 +	14	8"	12-1/4"	18-1/2"	11-3/4"	8-1/4"	10"	(2) 18 w Triple Tube
218TT-HITC(S or R)-8-LSGL +	16	8"	12-1/4"	18-1/2"	11-3/4"	8-1/4"	10"	(2) 18 w Triple Tube
226TT-HITC(S or R)-8 +	14	8"	12-1/4"	18-1/2"	11-3/4"	8-1/4"	10"	(2) 26 w Triple Tube
226TT-HITC(S or R)-8-LSGL +	16	8"	12-1/4"	18-1/2"	11-3/4"	8-1/4"	10"	(2) 26 w Triple Tube
232TT-HITC(S or R)-8 +	14	8"	12-1/4"	18-1/2"	11-3/4"	8-1/4"	10"	(2) 32 w Triple Tube
232TT-HITC(S or R)-8-LSGL +	16	8"	12-1/4"	18-1/2"	11-3/4"	8-1/4"	10"	(2) 32 w Triple Tube
242TT-HITC (S or R)-8 +	14	8"	12-1/4"	18-1/2"	11-3/4"	8-1/4"	10"	(2) 42 w Triple Tube
242TT-HITC (S or R)-8-LSGL +	16	8"	12-1/4"	18-1/2"	11-3/4"	8-1/4"	10"	(2) 42 w Triple Tube
139MHPAR-HITC (S or R)-8	15	8"	12-1/4"	18-5/8"	11-3/4"	8-1/4"	10"	39 w MH Par 30
170MHPAR-HITC (S or R)-8	15	8"	12-1/4"	18-5/8"	11-3/4"	8-1/4"	10"	70 w MH Par 38
1100MHPAR-HITC (S or R)-8	15	8"	12-1/4"	18-5/8"	11-3/4"	8-1/4"	10"	100 w MH Par 38
1150PAR-HITC (S or R)-10	9	10"	14-1/4"	14-5/8"	13-3/4"	10-1/8"	10"	Max 150 w Par38
232TT-HITC (S or R)-10 +	14	10"	14-1/4"	19-5/8"	13-3/4"	10-1/8"	10"	(2) 32 w Triple Tube
232TT-HITC (S or R)-10-LSGL +	16	10"	14-1/4"	19-5/8"	13-3/4"	10-1/8"	10"	(2) 32 w Triple Tube
242TT-HITC (S or R)-10 +	14	10"	14-1/4"	19-5/8"	13-3/4"	10-1/8"	10"	(2) 42 w Triple Tube
242TT-HITC (S or R)-10-LSGL +	16	10"	14-1/4"	19-5/8"	13-3/4"	10-1/8"	10"	(2) 42 w Triple Tube
170MHPAR-HITC (S or R)-10	15	10"	14-1/4"	19-3/8"	13-3/4"	10-1/4"	10"	70 w MH Par38
1100MHPAR-HITC (S or R)-10	15	10"	14-1/4"	19-3/8"	13-3/4"	10-1/4"	10"	100 w MH Par38
1150PAR-HITC RC-18 ‡	17	18"	20-1/8"	13-1/4"	23-3/4"	15-1/8"	8-1/8"	Max 150 w Par38

\* MR-16 Fixture Supplied with protective lens. + Available with Dimming Ballast

\*\* S or R in Model Number indicates Square or Round Aperture.

Note: All double lamp fluorescent fixtures are available with a single lamp. Change the first number to a "1".

Example: #242TT-HITCS-8 Double Lamp Fixture #142TT-HITCS-8 Single Lamp Fixture

♦ Available for Residential Height of 7-7/8" (Add -8H)

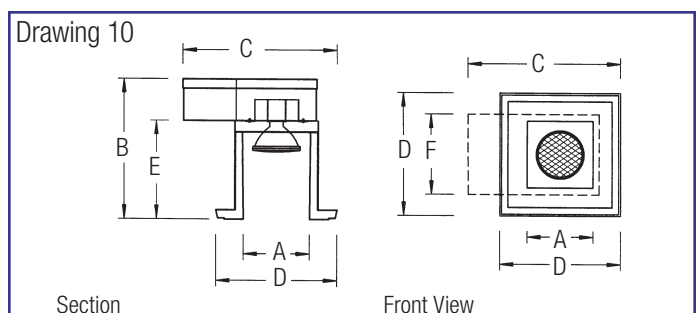
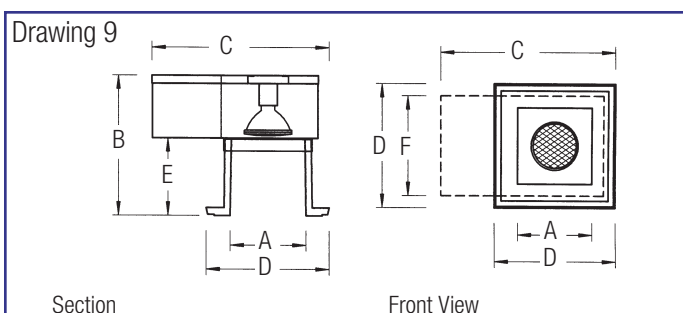
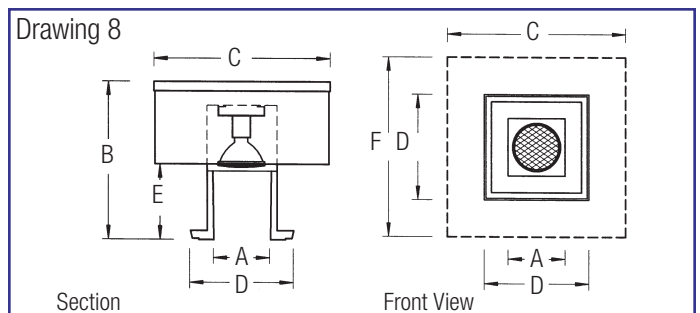
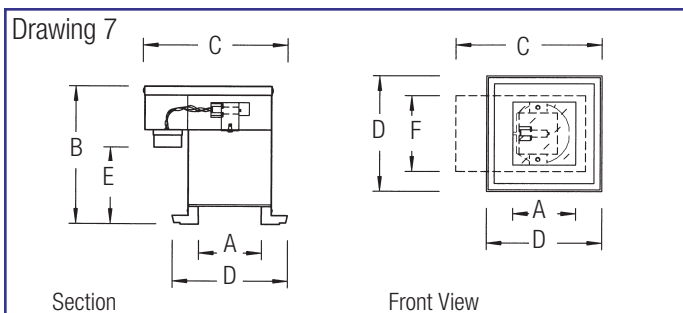
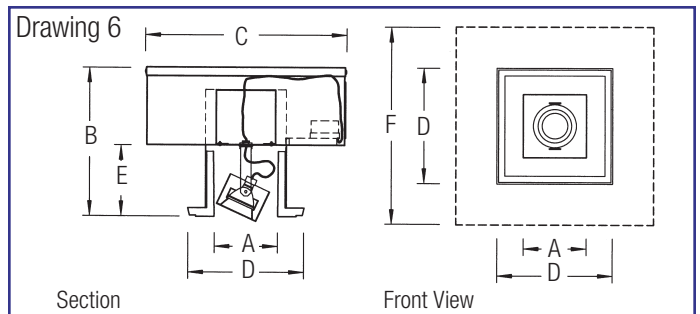
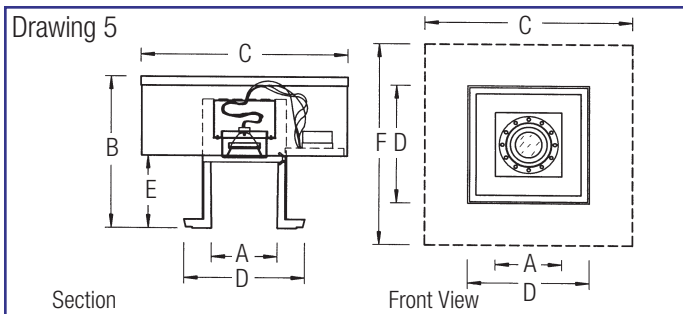
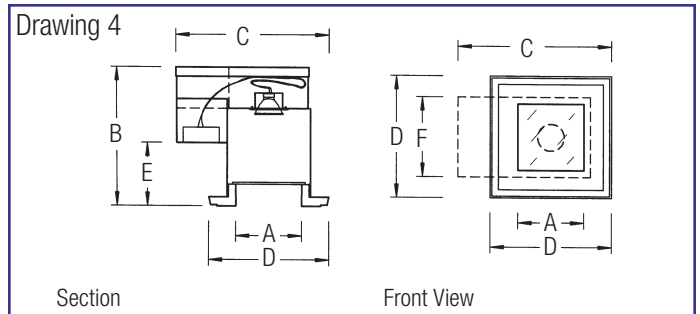
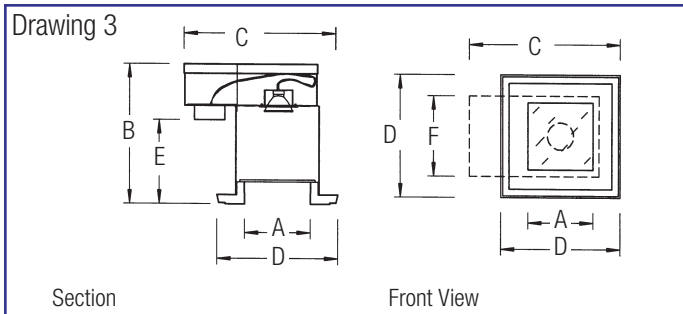
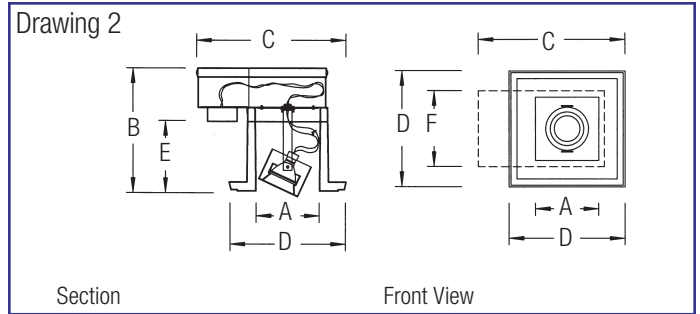
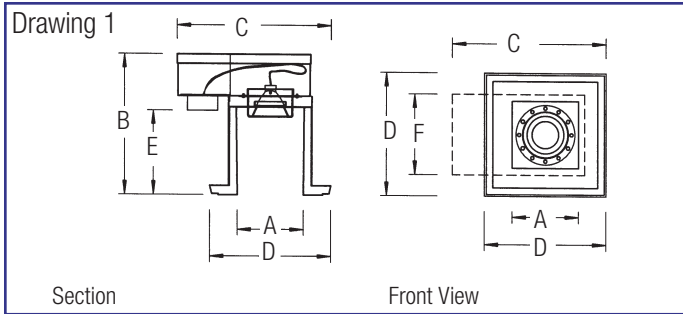
‡ Available with the "RC-18" Round Cone casting in drawing #17. To order, the numbers after "HITC" would be "RC-18." For example, the #226TT-HITC S\_6 would become #226TT-HITC RC-18 to order the Round Cone casting with that lamping.



# HITC SERIES

TYPE:  
CATALOG #:  
JOB:

RECESSED Hole In The Ceiling Niche  
For Plaster or Drywall



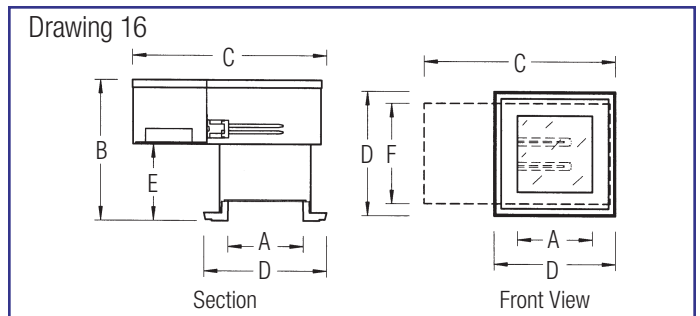
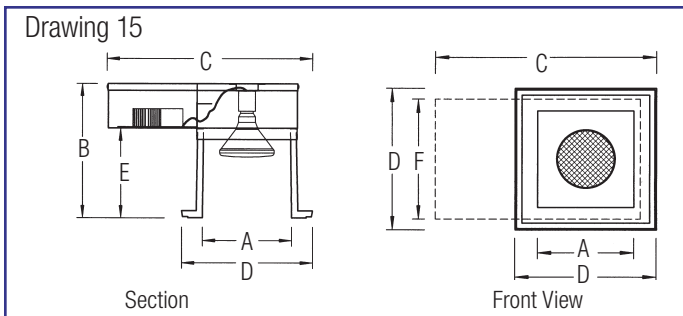
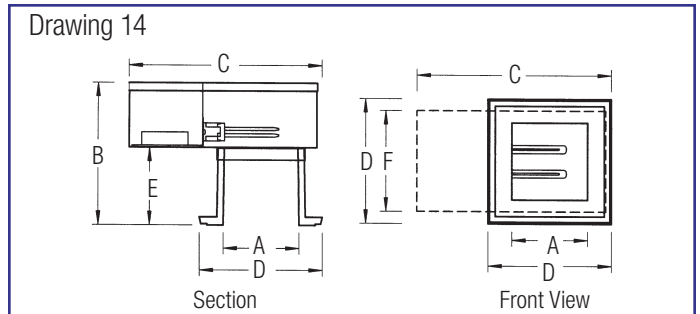
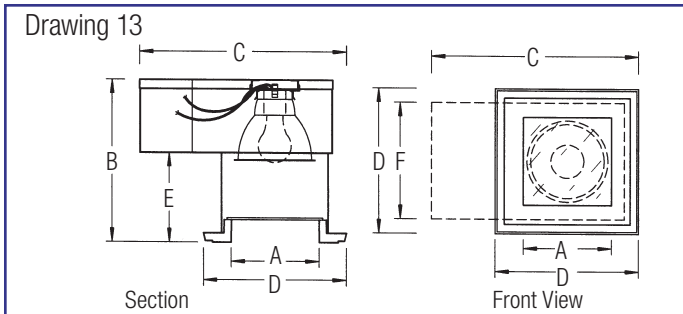
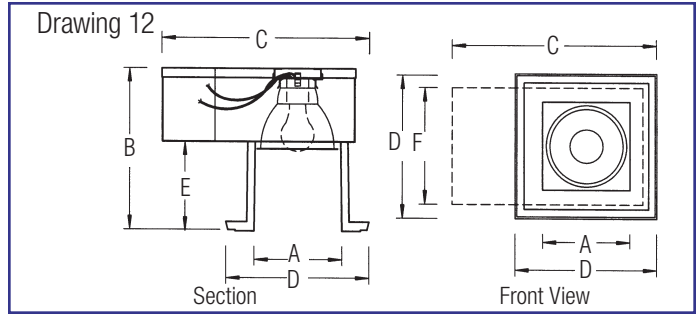
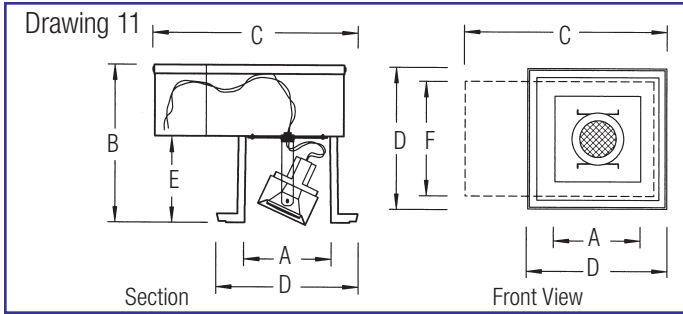


**ELP**

TYPE:  
CATALOG #:  
JOB:

# HITC SERIES

RECESSED Hole In The Ceiling Niche  
For Plaster or Drywall

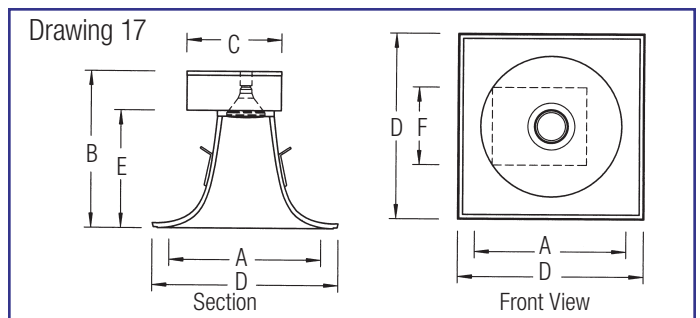


## Installation

**NOTE:** Casting/Fixture should be installed by the drywall contractor and the metal "Top Hat" wired by the electrical contractor.

- 1) Fixture casting mounts directly to studs.
- 2) Install metal electrical unit and make connections.
- 3) Install drywall to the edge of the casting.
- 4) Use standard drywall tape and joint compound at the seam edges.
- 5) Sand and finish like typical drywall seam.
- 6) Finish fixture and ceiling.

Finished fixture appears to be a custom formed drywall light niche.



**SEE DETAILED INSTALLATION INSTRUCTIONS FOR EACH MODEL**