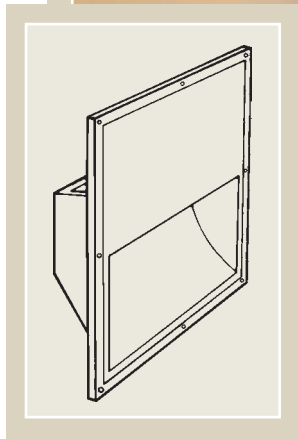
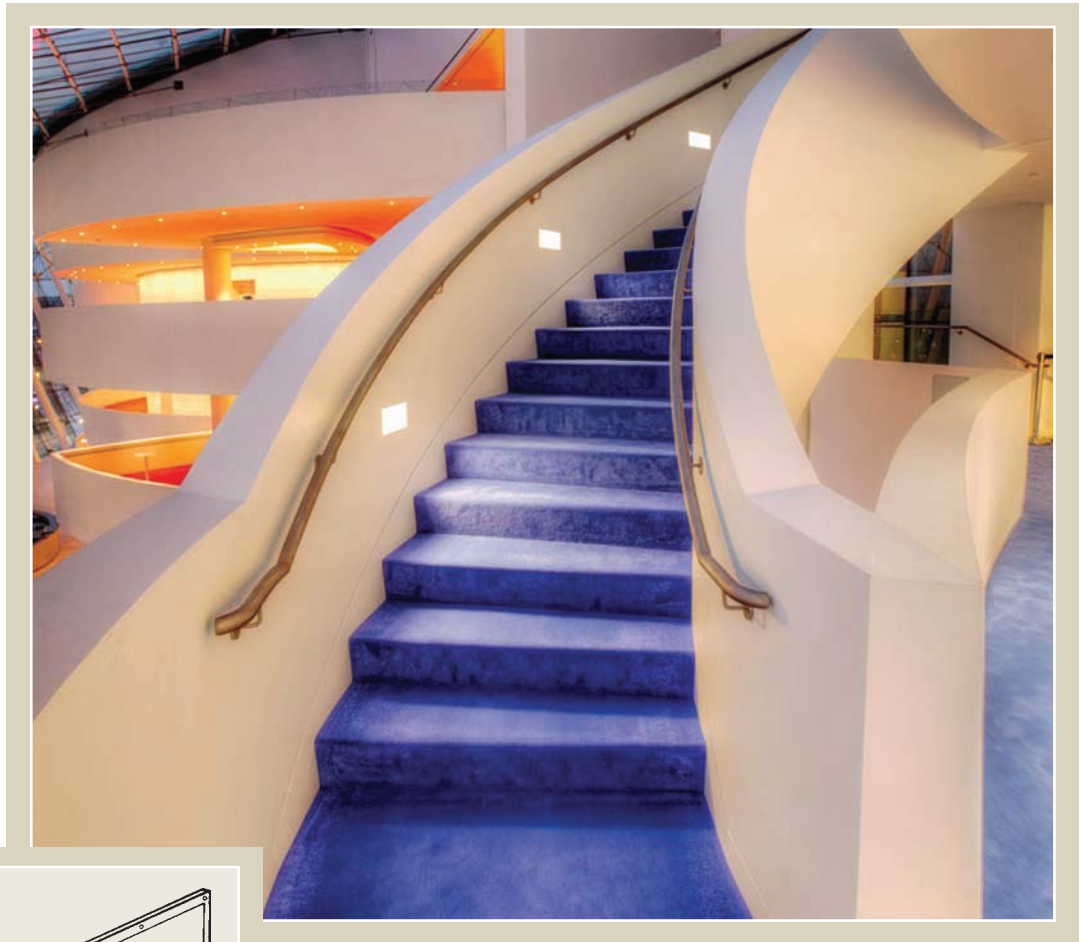
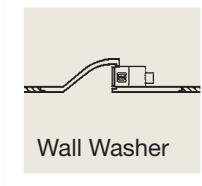
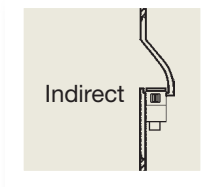
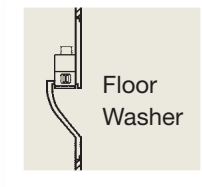


ELP

ENGINEERED LIGHTING
PRODUCTS

**LED options
in ALL models!**

RECESSED Hole In The Wall Light Niche
For Plaster or Drywall



Project
Kauffman Center for
Performing Arts
Kansas City, Missouri

Architect
Safdie Architects
Somerville, Massachusetts

Specifier
Lam Partners, Inc.
Cambridge, Massachusetts

Photographer
Eric L. Bowers

Lighting
109PL-HITW-4x9, 9 watts

*Cast Fixtures with asymmetric
light wash that integrate into
your wall or ceiling for the
custom built look of a
drywall light niche.*

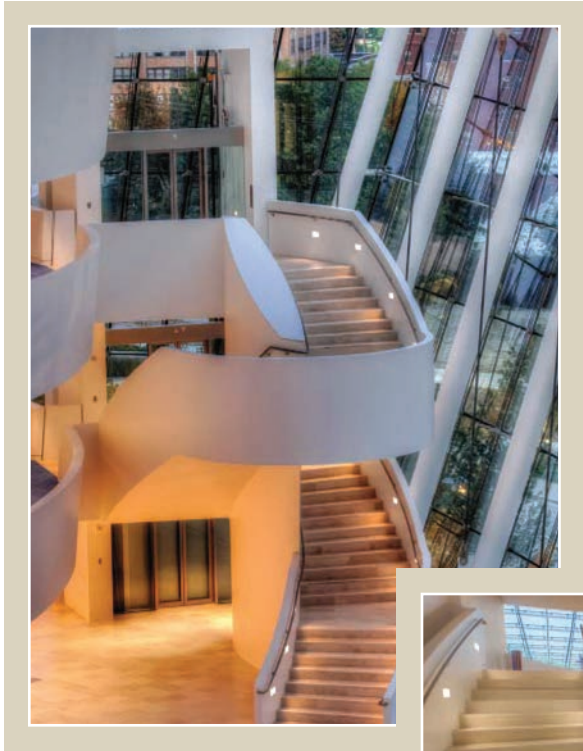
System

Rectangular, Square and Arched aperture fixtures that are cast with GRG (Glass fiber Reinforced Gypsum) composite material. Once installed, the fixture actually appears to be part of your wall or ceiling and looks like a custom formed drywall "light niche" that blends with any interior motif.



HITW SERIES

RECESSED Hole In The Wall Light Niche
For Plaster or Drywall



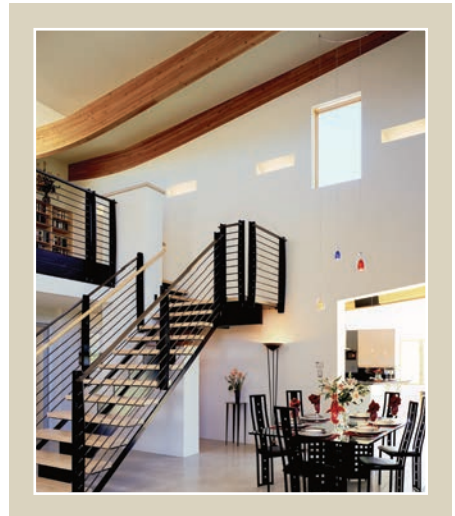
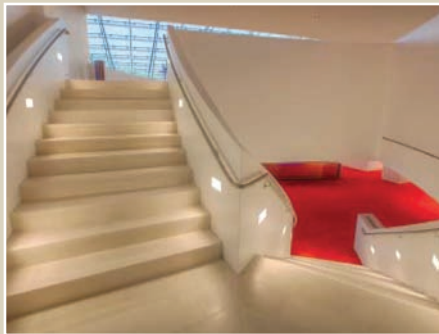
MEDICAL

#126TT-HITW-8x8



PERFORMING ARTS

#109PL-HITW-4x9



RESIDENTIAL

#155BX-HITW-8x29



WORSHIP

#155BX-HITW-8x29



COMMERCIAL

#126TT-HITW-8x8



HOSPITALITY

#126QD-HITW-6x13



TYPE:
CATALOG #:
JOB:

RECESSED Hole In The Wall Light Niche
For Plaster or Drywall

Specifications

Recessed fixture for use with several compact fluorescent, incandescent, halogen and LED lamping options. The GRG fixture is fiberglass reinforced cast plaster with integral electrical components. The casting houses an electrical box that includes wiring, socket(s), reflector and ballast for fluorescent units. The metal "fixture insert" is 20 gauge CRS that is post painted with TGIC polyester powder coating, with cover and knock-outs for wiring. All fluorescent units are supplied standard with Luminaire Disconnect.

Electrical components are accessible through the fixture opening. Electrical box provides knock-outs for through wiring. Casting mounts directly to stud construction. Allowance is made for 5/8" gypsum board construction butting fixture. Once installed the fixture actually appears to be part of your wall and looks like a custom formed drywall "light niche."

The shallow 3-1/2" fixture may be recessed into a standard 4" wall to wash the ceiling or floor with light. By lining the "wall recess" with gypsum, the wall installation may also be modified to maintain a one hour fire rating (SEE INSTRUCTIONS).

NOTE: Please do not specify or try to install this product without clear understanding of the installation instructions.

UL/CUL Damp Location listed. Non I.C. Rated.
c/CSA/us Listed. I.C Rated. ◆

U.S. Patent # 7,108,394

Options

Dimming *Dimming Options Next Page*

LED Color **Must Specify:**

- 2700K – 27K
- 3000K – 30K
- 3500K – 35K
- #11WA2-HITW-4x6= 35K/AmberONLY
- 4000K – 40K

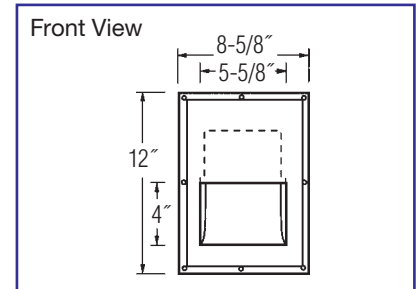
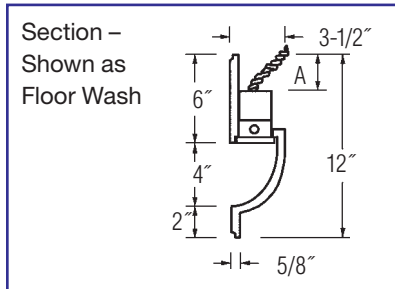
Mini Lens
Frosted Glass (4x6 LED)
Frosted Acrylic (all other LED)
Clear Lexan (Some Fluorescent) -ML**
Frosted Lexan (Some Fluorescent) -MLF*
Clear Tempered Glass -ML-TGL**
Frosted Tempered Glass -ML-TGLF*

Louver
Honeycomb, Silver -LVS
Honeycomb, Black -LVB

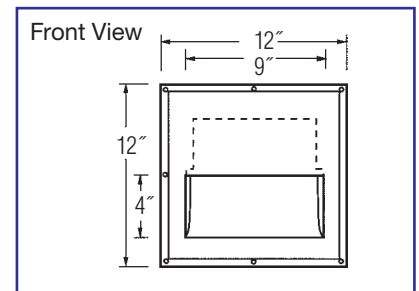
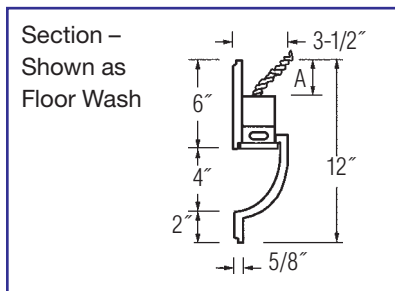
Insert Finish
White (Standard)
Anti-Microbial White -MB

MRI
Non-Ferrous Metal
(Only ▲ Models) -MRI
(Insert with Anti-Microbial Paint)

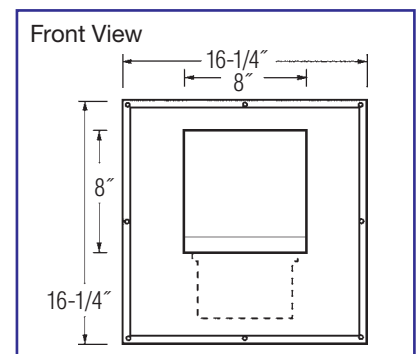
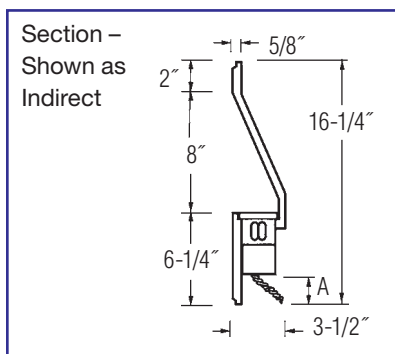
Hospital
Hospital Grade for Insert -HG
(Lens; Gasket; Anti-Microbial Paint)



Model No.	OLD No.	A	Lens	Lamp
125HAL-HITW-4x6* ▲		1-1/4"	Glass	25 watt T-4 Halogen, G9
110IN-HITW-4x6* ▲		1-1/4"	Glass	10 watt C7 Nightlight
11W1-HITW-4x6 †	◆ 25W1-HITW-4x6	3"	Fr Glass	1 watt, 1 CCT White INTEGRAL LED
11WA2-HITW-4x6 ◆	◆ 25WA2-HITW-4x6	3"	Fr Glass	1 watt, 2 CCT White/Amber INTEGRAL LED



Model No.	A	Lens	Lamp
125IN-HITW-4x9** ▲	1"	Glass	25 watt T-8 Inc. DC Bayonet
140HAL-HITW-4x9** ▲	1"	Glass	40 watt T-4 Halogen, G9
105PL-HITW-4x9**	2-5/8"	Lexan	5 watt PL
107PL-HITW-4x9**	2-5/8"	Lexan	7 watt PL
109PL-HITW-4x9**	2-5/8"	Lexan	9 watt PL
36W1-HITW-4x9 ‡	◆ 2-5/8"	Fr Acrylic	2 watt, White HF2 LED
312W1-HITW-4x9 ‡	◆ 2-5/8"	Fr Acrylic	4 watt, White HF2 LED



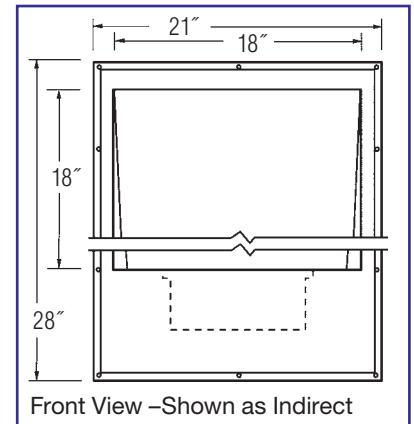
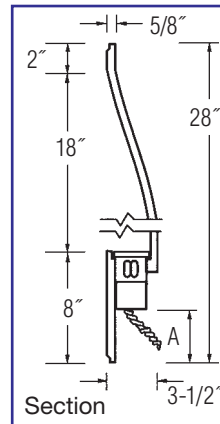
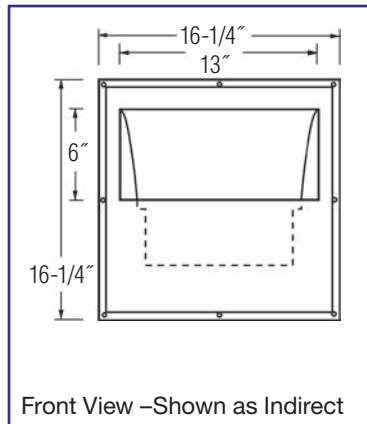
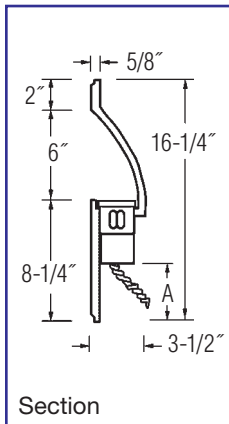
Model No.	A	Lens	Lamp
140HAL-HITW-8x8** ▲	1"	Glass	40 watt T-4 Halogen, G9
118TT-HITW-8x8‡**	3/16"	Lexan	18 watt Triple Tube
126TT-HITW-8x8‡**	3/16"	Lexan	26 watt Triple Tube
36W1-HITW-8x8‡	◆ 3"	Fr Acrylic	2 watt, White HF2 LED
312W1-HITW-8x8‡	◆ 3"	Fr Acrylic	4 watt, White HF2 LED



HITW SERIES

TYPE:
CATALOG #:
JOB:

RECESSED Hole In The Wall Light Niche
For Plaster or Drywall



Model No.	A	Lens	Lamp
160IN-HITW-6x13**	▲ 2-3/4"	Glass	60 watt T-10 Inc.
113PL-HITW-6x13**	4-5/8"	Lexan	13 watt PL
118QD-HITW-6x13†**	4-5/8"	Lexan	18 watt Quad
126QD-HITW-6x13†**	1-1/2"	Glass	26 watt Quad
132TT-HITW-6x13†**	1-1/2"	Glass	32 watt Triple Tube
142TT-HITW-6x13†**	1-1/2"	Glass	42 watt Triple Tube
36W1-HITW-6x13†	◆ 4-5/8"	Fr Acrylic	2 watt, White HF2 LED
312W1-HITW-6x13†	◆ 4-5/8"	Fr Acrylic	4 watt, White HF2 LED

Model No.	A	Lens	Lamp
160IN-HITW-18x18**	▲ 2-1/2"	Glass	60 watt T-10 Inc.
113PL-HITW-18x18**	4-3/8"	Lexan	13 watt PL
118QD-HITW-18x18†**	1-3/8"	Lexan	18 watt Quad
126QD-HITW-18x18†**	1-3/8"	Glass	26 watt Quad
132TT-HITW-18x18†**	1-3/8"	Glass	32 watt Triple Tube
142TT-HITW-18x18†**	1-3/8"	Glass	42 watt Triple Tube
36W1-HITW-18x18†	◆ 4-3/8"	Fr Acrylic	2 watt, White HF2 LED
312W1-HITW-18x18†	◆ 4-3/8"	Fr Acrylic	4 watt, White HF2 LED

Dimming Options

Fluorescent 120 or 277 Electronic (Standard)

Dimming (Models marked † or ‡) -DM
Check w/ Factory for options.

LED **INTEGRAL** – 120 or 277 (Standard)

Dimming (Model marked †) -DM
120 volt only is Triac Dimmable
White/Amber unit is 120v NON-Dim Only

LED **HF2** – 120/277 (Standard)

Dimming (Models marked † or ‡)
Hi-lume 1% EcoSystem/3wire (L3D) -DM6
Hi-lume 1% 2-wire (LTE) 120v only -DM7

LED **PrevaLED** – 120/277 Osram OT (Dim Standard)

Dimming (Models marked †)
Hi-lume 1% EcoSystem/3wire (L3D) -DM6
Hi-lume 1% 2-wire (LTE) 120v only -DM7

These notes apply to all pages:

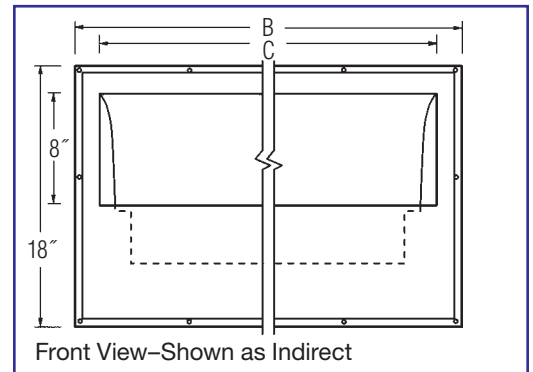
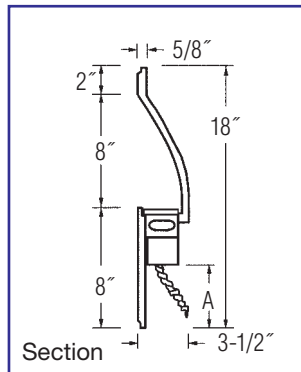
* Fixtures Indicated are supplied Standard with a Frosted Lens.
Clear Lens may be substituted if required.

** Fixtures Indicated are supplied Standard with Clear Lens.
Frosted Lens may be substituted if required.

† Dimming available for this model.

‡ Dimming Ballast/Driver Available for this model with modified installation. Non-Dim Ballast for Triple Tube lamps in the 8 x 8 and 12 x 8R Apertures also require the modified installation.

See installation instructions for details.



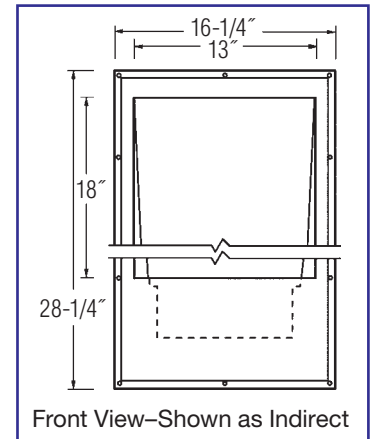
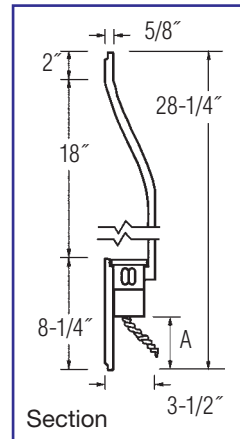
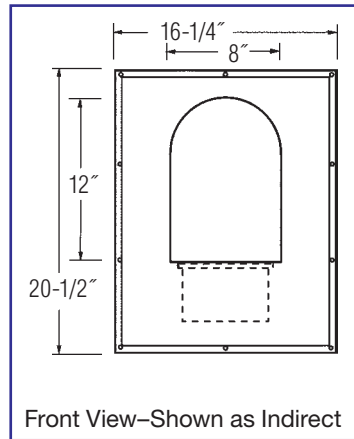
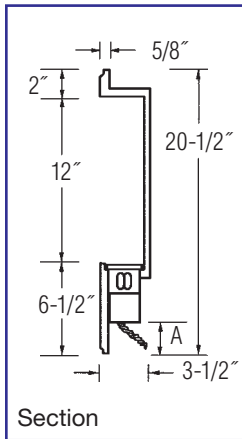
Model No.	A	B	C	Lens	Lamp
222W1-HITW-8x29†	◆ 4-1/2"	32"	29"	Fr Acrylic	11 watt, White PrevaLED LED
140BX-HITW-8x29†**	4-1/2"	32"	29"	Lexan	40 watt Biax
150BX-HITW-8x29†**	4-1/2"	32"	29"	Lexan	50 watt Biax
155BX-HITW-8x29†**	4-1/2"	32"	29"	Lexan	55 watt Biax
114T5-HITW-8x29†**	4-1/2"	32"	29"	Lexan	14 watt T-5
124T5-HITW-8x29†**	4-1/2"	32"	29"	Lexan	24 watt T-5 HO
444W1-HITW-8x54†	◆ 4-1/2"	58"	54"	Fr Acrylic	11 watt, White PrevaLED LED
240BX-HITW-8x54†**	4-1/2"	58"	54"	Lexan	(2) 40 watt Biax
250BX-HITW-8x54†**	4-1/2"	58"	54"	Lexan	(2) 50 watt Biax
255BX-HITW-8x54†**	4-1/2"	58"	54"	Lexan	(2) 55 watt Biax
128T5-HITW-8x54†**	4-1/2"	58"	54"	Lexan	28 watt T-5
154T5-HITW-8x54†**	4-1/2"	58"	54"	Lexan	54 watt T-5 HO
132T8-HITW-8x54†**	4-1/2"	58"	54"	Lexan	32 watt T-8



HITW SERIES

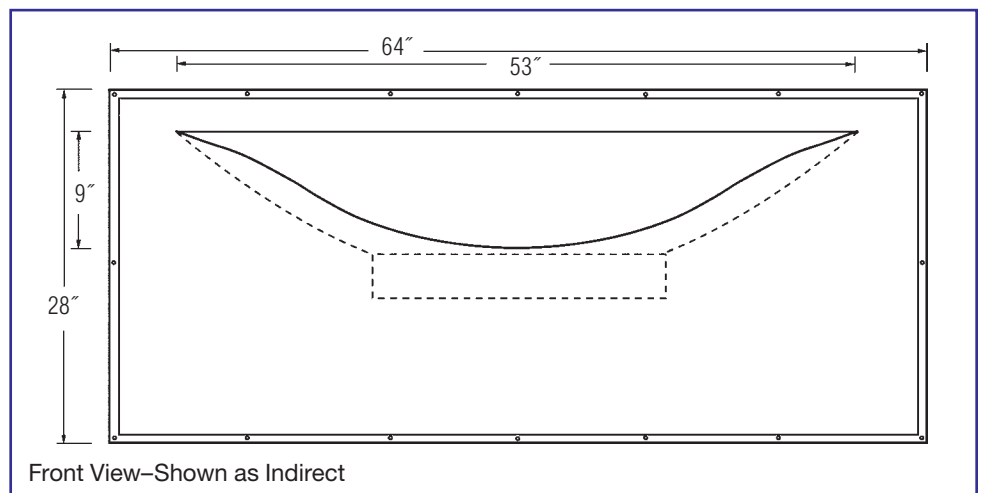
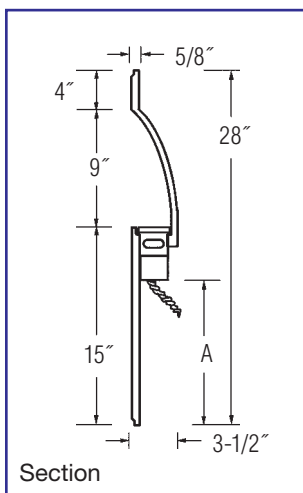
TYPE:
CATALOG #:
JOB:

RECESSED Hole In The Wall Light Niche
For Plaster or Drywall



Model No.	A	Lens	Lamp
140HAL-HITW-12x8R* ▲	1-1/4"	Glass	40 watt T-4 Halogen, G9
118TT-HITW-12x8R†*	3/16"	Glass	18 watt Triple Tube
126TT-HITW-12x8R†*	3/16"	Glass	26 watt Triple Tube
36W1-HITW-12x8R‡ ◆	3"	Fr Acrylic	2 watt, White HF2 LED
312W1-HITW-12x8R‡ ◆	3"	Fr Acrylic	4 watt, White HF2 LED

Model No.	A	Lens	Lamp
160IN-HITW-18x13** ▲	2-3/4"	Glass	60 watt T-10 Inc.
113PL-HITW-18x13**	4-1/2"	Lexan	13 watt PL
118QD-HITW-18x13†**	4-1/2"	Lexan	18 watt Quad
126QD-HITW-18x13†**	1-1/2"	Glass	26 watt Quad
132TT-HITW-18x13†**	1-1/2"	Glass	32 watt Triple Tube
142TT-HITW-18x13†**	1-1/2"	Glass	42 watt Triple Tube
36W1-HITW-18x13‡ ◆	4-1/2"	Fr Acrylic	2 watt, White HF2 LED
312W1-HITW-18x13‡ ◆	4-1/2"	Fr Acrylic	4 watt, White HF2 LED



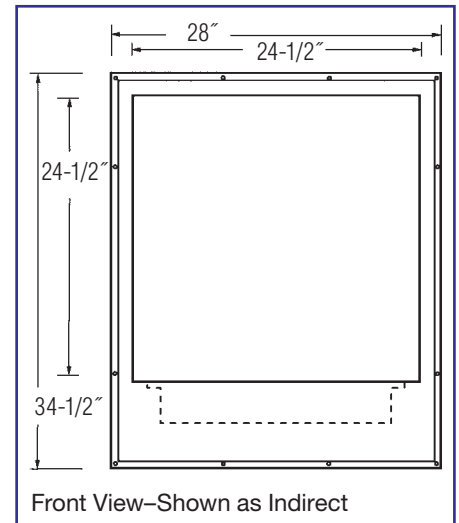
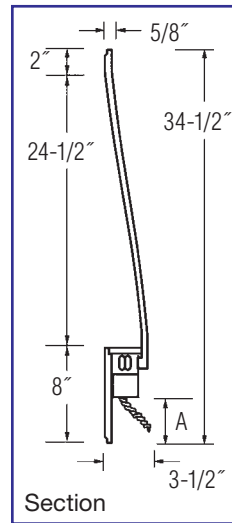
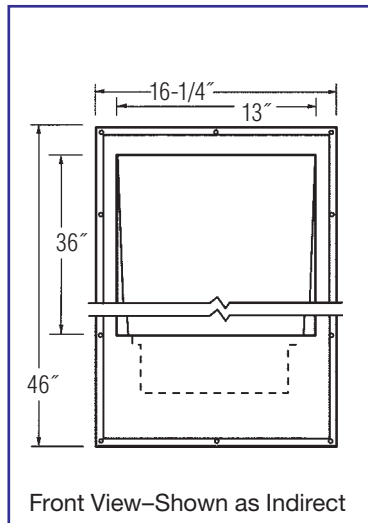
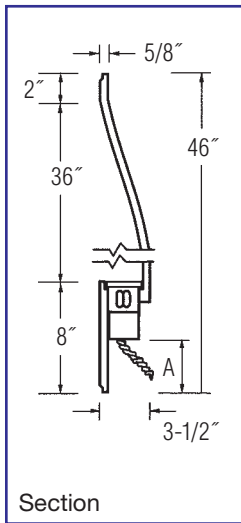
Model No.	A	Lens	Lamp
222W1-HITW-9x53R† ◆	10-1/2"	Fr Acrylic	11 watt, White PrevaLED LED
140BX-HITW-9x53R†**	10-1/2"	Lexan	40 watt Biax
150BX-HITW-9x53R†**	10-1/2"	Lexan	50 watt Biax
155BX-HITW-9x53R†**	10-1/2"	Lexan	55 watt Biax
114T5-HITW-9x53R†**	10-1/2"	Lexan	14 watt T-5
124T5-HITW-9x53R†**	10-1/2"	Lexan	24 watt T-5 HO



HITW SERIES

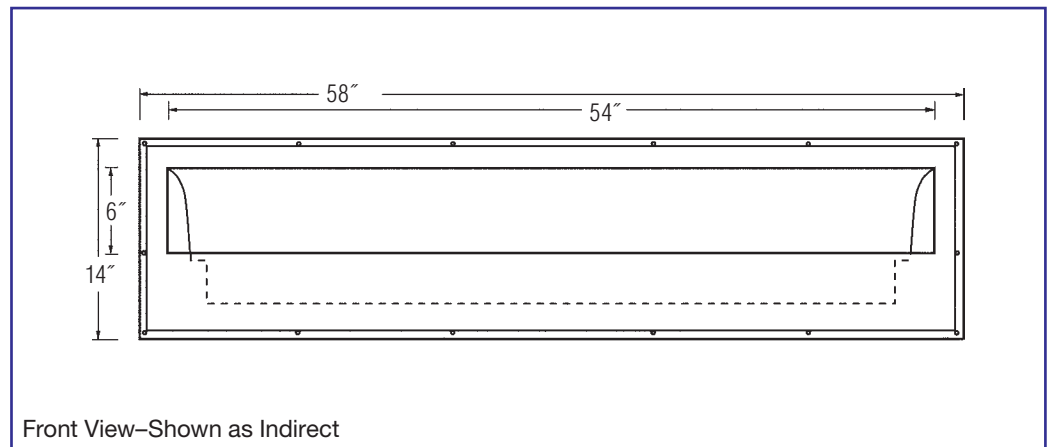
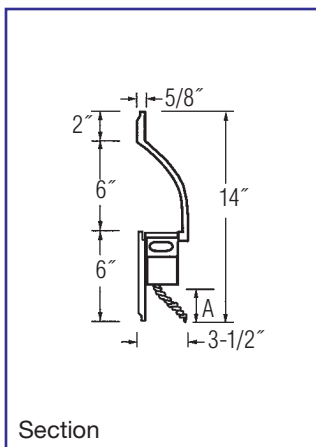
TYPE:
CATALOG #:
JOB:

RECESSED Hole In The Wall Light Niche
For Plaster or Drywall



Model No.	A	Lens	Lamp
160IN-HITW-36x13**	▲ 2-1/2"	Glass	60 watt T-10 Inc.
113PL-HITW-36x13**	4-1/2"	Lexan	13 watt PL
118QD-HITW36x13†**	1-3/8"	Lexan	18 watt Quad
126QD-HITW-36x13†**	1-3/8"	Glass	26 watt Quad
132TT-HITW-36x13†**	1-3/8"	Glass	32 watt Triple Tube
142TT-HITW-36x13†**	1-3/8"	Glass	42 watt Triple Tube
36W1-HITW-36x13†	◆ 3"	Fr Acrylic	2 watt, White HF2 LED
312W1-HITW-36x13†	◆ 3"	Fr Acrylic	4 watt, White HF2 LED

Model No.	A	Lens	Lamp
222W1-HITW-24x24†	◆ 4-1/2"	Fr Acrylic	11 watt, White PrevalLED LED
140BX-HITW-24x24†**	4-1/2"	Lexan	40 watt Biax
150BX-HITW-24x24†**	4-1/2"	Lexan	50 watt Biax
155BX-HITW-24x24†**	4-1/2"	Lexan	55 watt Biax
114T5-HITW-24x24†**	4-1/2"	Lexan	14 watt T-5
124T5-HITW-24x24†**	4-1/2"	Lexan	24 watt T-5 HO



Model No.	A	Lens	Lamp
444W1-HITW-6x54†	◆ 2-1/2"	Fr Acrylic	11 watt, White PrevalLED LED
240BX-HITW-6x54†**	2-1/2"	Lexan	(2) 40 watt Biax
250BX-HITW-6x54†**	2-1/2"	Lexan	(2) 50 watt Biax
255BX-HITW-6x54†**	2-1/2"	Lexan	(2) 55 watt Biax
128T5-HITW-6x54†**	2-1/2"	Lexan	28 watt T-5
154T5-HITW-6x54†**	2-1/2"	Lexan	54 watt T-5 HO
132T8-HITW-6x54†**	2-1/2"	Lexan	32 watt T-8



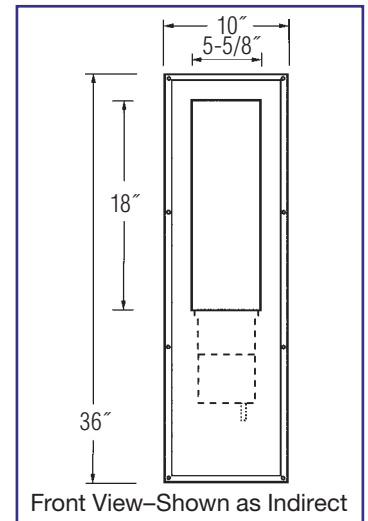
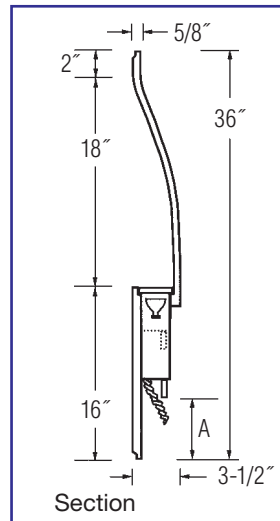
TYPE:
 CATALOG #:
 JOB:

RECESSED Hole In The Wall Light Niche
 For Plaster or Drywall

Installation

NOTE: Fixture should be installed by the drywall contractor and wired by the electrical contractor.

SEE DETAILED INSTALLATION INSTRUCTIONS



Model No.	A	Lens	Lamp
11W1-HITW-18x6† ◆	10-1/2"	Fr Glass	1 watt, White INTEGRAL LED
125HAL-HITW-18x6**	10-1/2"	Glass	25 watt T-4 Halogen G9
120MR16-HITW-18x6**	6-1/2"	Glass	20 watt MR-16 12 V

