

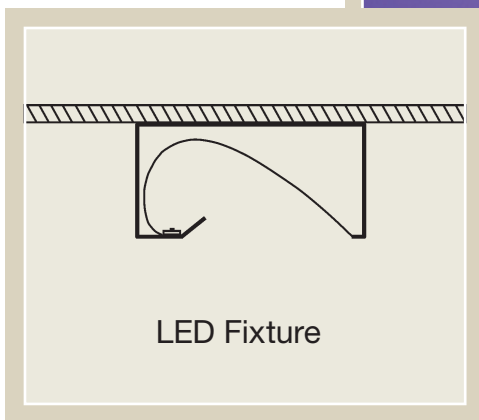
**ELP**

ENGINEERED LIGHTING  
PRODUCTS

**Now with  
LED options!**

## IWS SERIES

SURFACE Mount Indirect for  
Vertical Illumination



*Ideal placement is 24" to 36"  
from the front edge of fixture  
to the surface you are lighting,  
for 8' to 12' ceilings.*

### **System**

Surface mount indirect LED and fluorescent fixtures with asymmetric wash of light to provide vertical illumination in difficult applications such as mirrored surfaces and video conference key speaker where a shielded lamp is critical. The formed reflector provides even, unscaloped illumination with no glare.



TYPE:  
CATALOG #:  
JOB:

SURFACE Mount Indirect for  
Vertical Illumination

## Specifications

Surface mount indirect fixture with asymmetric wash of light to provide vertical illumination. Available LED in 2' and 4' lengths for use with two or four high efficacy, LED modules respectively for a total of 22 or 44 watts. Available in fluorescent in 2' and 4' lengths for use with Biax and T-5 lamps. The formed reflector combines white diffuse with high purity aluminum (99.9%) reflector material with 97% reflectance. It is easily removable without tools for access to the ballast/driver and wiring. Fixture design provides complete lamp shielding from all angles, and even, unscalped illumination with no direct glare. LED units utilizes the Sylvania 3500K distributed array, LED modules that are 80+ CRI and are rated up to 60,000 hours.

The spot weld construction 5" deep housing is 22 gauge CRS and is post painted with a TGIC polyester powder-coat. Cover and knock-outs provide quick wire access to the back of the fixture for through wiring. All fluorescent fixtures are supplied standard with Luminaire Disconnect.

**Continuous Mount** – If fixtures are being mounted in a continuous row, add "CC" to the catalog number and provide row configuration, i.e., (18) 154T-5IW-S-CC for (6) 12' rows.

Knock-outs will be provided between continuous fixtures for through wiring.

UL/CUL Damp Location listed.

c/CSA/us Listing, IC Rated ▲

**U.S. Patent #5,142,459**

## Options

LED Driver 120/277 0-10 volt, Osram OT Dim (Standard)

### For Alternate Dimming:

DM6 3-wire/Digital, Lutron ECO Systems L3D

DM7 2-wire, Lutron LTE (120 only)

Ballast 120 or 277 HPF Electronic (Standard)  
Dimming (Some models) -DM  
Emergency (Some models) -EPP

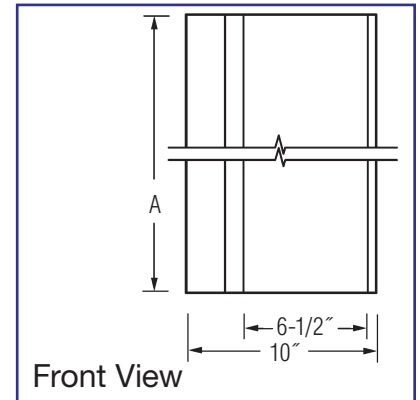
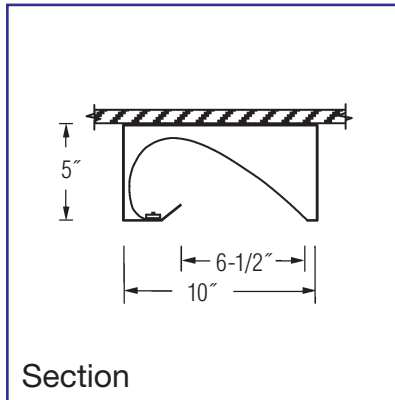
Finish White (Standard)  
Anti-Microbial White -MB  
Custom -Custom

Reflector Combo White/Diffuse (Standard)  
White -W

LED 3500K (Standard)\*  
3000K - 30K  
4000K - 40K

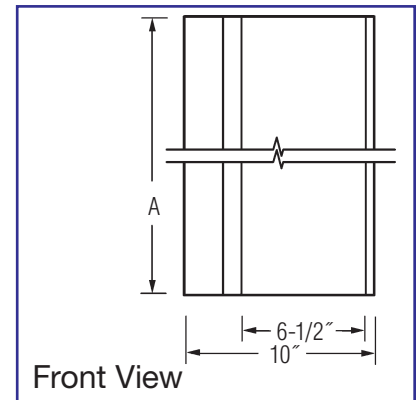
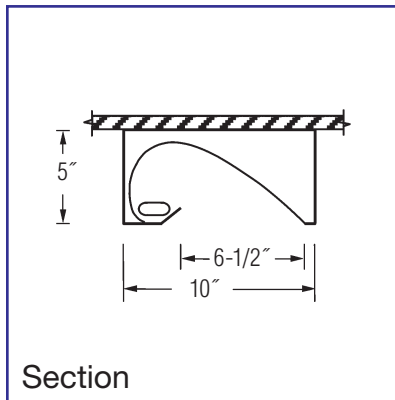
Louver Diffuse Silver Parallel Blade -LV

Mounting Surface J-Box (Standard)  
Canopy w/Stem -CS(FT of Stem)  
Ex. 154T-5IW-S-CS4



## IWS SERIES - LED

Model No.	A	Lamp	Efficacy
222W1IW-S ▲	22-15/16"	(2) 10.8w LED Modules, 1 CCT	65
444W1IW-S ▲	46-15/16"	(4) 10.8w LED Modules, 1 CCT	67



## IWS SERIES - Fluorescent

Model No.	A	Lamp	Efficacy
140BXIW-S	22-15/16"	40W Biax	31
150BXIW-S	22-15/16"	50W Biax	36
155BXIW-S	22-15/16"	55W Biax	42
240BXIW-S	46-15/16"	(2) 40W Biax	35
250BXIW-S	46-15/16"	(2) 50W Biax	40
255BXIW-S	46-15/16"	(2) 55W Biax	34
124T-5IW-S**	22-15/16"	24W T-5 HO	26
224T-5IW-S**	22-15/16"	(2) 24W T-5 HO	30
154T-5IW-S**	46-15/16"	54W T-5 HO	35
254T-5IW-S**	46-15/16"	(2) 54W T-5 HO	38

\* Recommended color temperatures for architectural installations.

\*\* NOTE: Standard T-5 lamps are available for: 2' fixture, change the "24" to "14" or the 4' fixture, change the "54" to "28."

Note: Sylvania provides a 5 year warranty on the lamp driver combination when using their driver for this unit.

Note: Efficacy will vary depending on the ballast or driver used.