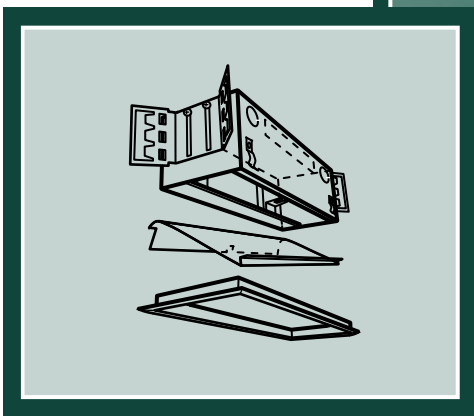
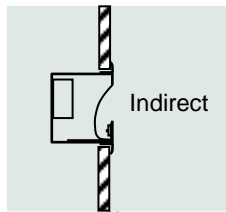
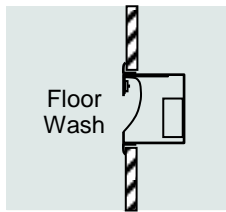
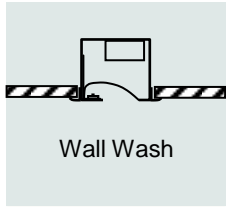


**ELP**

ENGINEERED LIGHTING  
PRODUCTS

## LW & LWTB LED SERIES

RECESSED Small Aperture Linear Wall Wash  
2" Lighted Opening  
for Drywall, Trimless & T-Bar



*The ideal placement is 24" to 36" from  
the front edge of the fixture to the  
surface you are lighting.*

### Systems

Recessed small aperture wall wash fixture for T-Bar, Plaster or Drywall and Trimless Installations. Designed for minimal intrusion into the architectural space.



# LW & LWTB LED SERIES

TYPE:  
CATALOG #:  
JOB:

## RECESSED Small Aperture Linear Wall Wash for Drywall, Trimless & T-Bar

### Specifications

Small recessed, LED wall wash designed for T-Bar, Drywall and Trimless finish. The 1' fixture utilizes one, high efficacy, LED module at 11 watts. The 2' utilizes two at 22 watts, the 3' utilizes three at 33 and the 4' uses four modules at 44 watts. The formed reflector combines white diffuse with high-purity aluminum (99.9%) with 97% reflectance. It is easily removable without tools for access to the driver and wiring. Indirect design shields the LEDs from all viewing angles. It utilizes the Osram PrevaLED®, LED modules that are up to 90+ CRI and are rated greater than 60,000 hours. The shallow fixture may be recessed into a standard 2" x 4" stud wall to light the floor or ceiling. By lining the "wall recess" with gypsum, the wall installation may also be modified to maintain a one hour fire rating. (SEE INSTRUCTIONS).

TGIC polyester powder coated housing is made of 22 gauge CRS with knock-outs on the side of the fixture for through wiring. All fixtures are supplied with Luminaire Disconnect. Standard drywall fixture is provided with extruded aluminum trim. The Trimless design does not require a trim to finish the wall opening. A flange is provided around the perimeter of the fixture to allow for 5/8" gypsum board construction and the fixture aperture allows the wall finish to end right at the edge of the lighted opening for a clean construction appearance.

**Continuous Mount** - If the drywall fixtures are being mounted in a continuous row add "CC" to the catalog number and provide row configuration, so proper trims may be supplied, i.e., (18) 444W1LW-CC for (6) 12' rows. Rough-In Dimensions = (Entire length of row, add all "B" lengths + 1/2") x 4-5/8"

Dimensions do not apply to Trimless Installations.

c/CSA/us Damp Location Listed, IC Rated - Made in the USA

### Options

Driver 120/277 0-10 volt, Osram OT 1% Dim (Standard)  
OT with End Of Life Indicator - EOL

**For Alternate Dimming:**

3-wire/Digital, Lutron ECO Systems L3D 1% -DM6

2-wire, Lutron LTE 1% (120 only) -DM7

Digital, Lutron LDE 1% -DM8

Wireless Control - Consult Factory

Lower Lumen Output (All Driver Options) -LL\*\*

\*\* Consult Factory.

Finish White (Standard)  
Anti-Microbial White -MB  
Custom -Custom

**LED Must Specify Color \***

2700K -27K

3000K -30K

3500K -35K

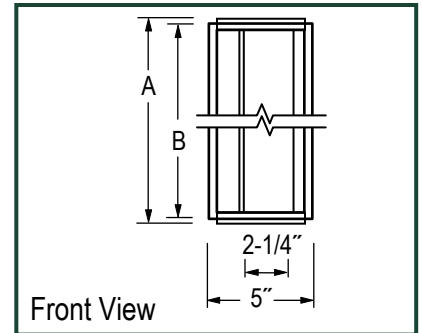
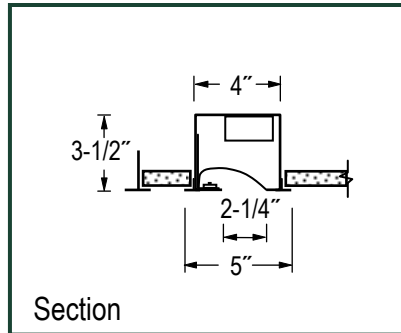
4000K -40K

Lens Clear Acrylic Full Lens -FL  
Frosted Acrylic Full Lens -FLF  
Full Face Lens Plate, Clear Acrylic -FFLP  
Consult Factory for Lensing of T-Bar units.

Trimless Gypsum/Drywall Installation -TLD

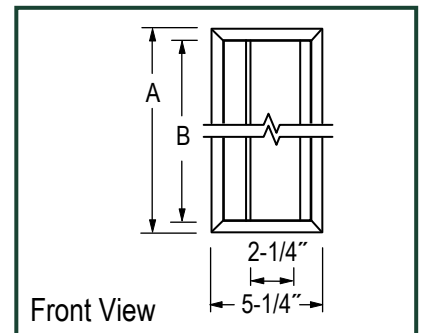
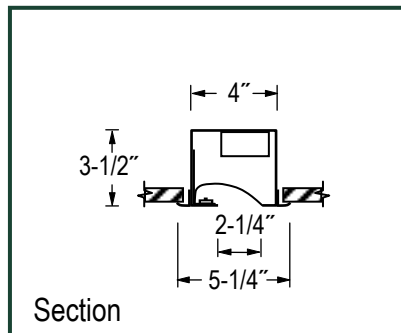
Hospital Hospital Grade Features -HG  
(FFLP Lens; Gasket; Anti-Microbial Paint)

Note: These LED luminaires are provided standard with 1% dimming and have a 5 year warranty.



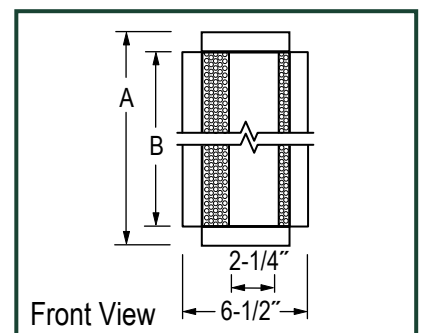
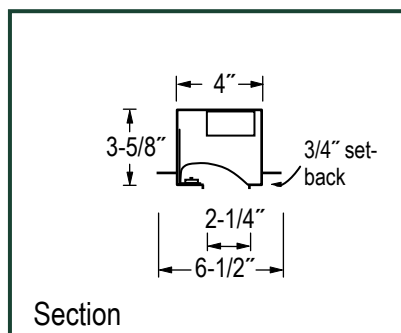
### LWTB SERIES for T-Bar Installations

Model No.	A	B	Lamp	**Fixture Lumens
222W1LW-TB-( * K)	23-7/8"	23-7/16"	(2) 10.8w LEDs	2645
444W1LW-TB-( * K)	47-7/8"	47-7/16"	(4) 10.8w LEDs	5290



### LW SERIES for Plaster or Drywall Installations

Model No.	A	B	Rough-In 4-5/8"x	Lamp	**Fixture Lumens
111W1LW-( * K)	13-3/8"	12"	12-1/2"	(1)10.8w LEDs	1325
222W1LW-( * K)	24-5/16"	22-15/16"	23-1/2"	(2)10.8w LEDs	2645
333W1LW-( * K)	37-3/8"	36"	36-1/2"	(3)10.8w LEDs	3965
444W1LW-( * K)	48-5/16"	46-15/16"	47-1/2"	(4)10.8w LEDs	5290



### LW SERIES Trimless for Plaster or Drywall Installations

Model No.	A	B	Rough-In 4-1/2"x	Lamp	**Fixture Lumens
111W1LW-TLD( * K)	14-1/2"	12"	12-1/2"	(1)10.8w LEDs	1325
222W1LW-TLD( * K)	26-1/2"	24"	23-1/2"	(2)10.8w LEDs	2645
333W1LW-TLD( * K)	38-1/2"	36"	36-1/2"	(3)10.8w LEDs	3965
444W1LW-TLD( * K)	50-1/2"	48"	47-1/2"	(4)10.8w LEDs	5290