

# INSTALLATION INSTRUCTIONS

CLC SERIES  
Cornice Cove Fixtures

FOR SUPPLY CONNECTIONS ENTERING THIS FIXTURE USE WIRE SUITABLE FOR AT LEAST 90° C. FIXTURE IS NON I.C. RATED.

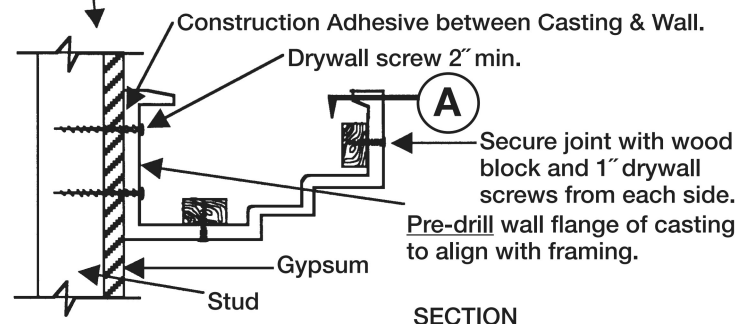
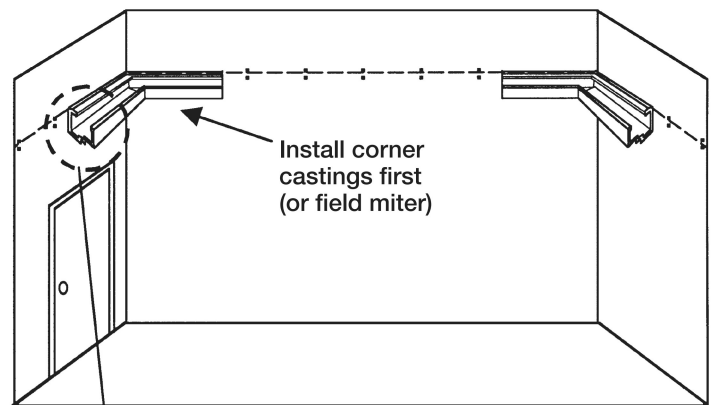
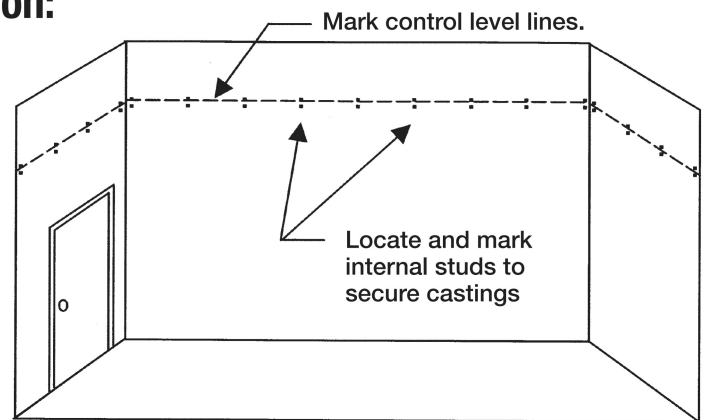
**\* INSTALLATION TO BE DONE IN ACCORDANCE WITH *NEC* AND APPLICABLE CODES \***

\* Drywall contractor should install and finish the GRG cove casting and joints. The lighting fixture components should be wired and secured in place by the electrical contractor. You **MUST** coordinate the two trades for bidding and installation.

## Cornice Cove GRG Casting Installation:

1. Decorative GRG castings are provided in 8' lengths. Optional 90° Corner units are 2' x 2'. Set leveling control points on the wall to receive the casting, with either chalk or laser light leveler. Control marks should be at least 4' on center.
2. Locate the vertical internal wall framing members, to secure attachment of the cove castings. Normally you would begin with the corners and build inward.
3. **Pre-drill the wall side flange** of the cove material to correspond with the locations of the wall framing members. We recommend the "screw & glue" installation, **using 2" minimum drywall screws and PL 400 adhesive or good construction grade adhesive** (by others) to secure the cove to the wall.
4. Butt the next section of the cove to the previously installed section and follow the above procedure.
5. To attach one casting to the next, secure a block of wood (by others) from each side of the joint with screws. More than one block may be required at each joint.

(See "Joint Detail" **A** on reverse side)

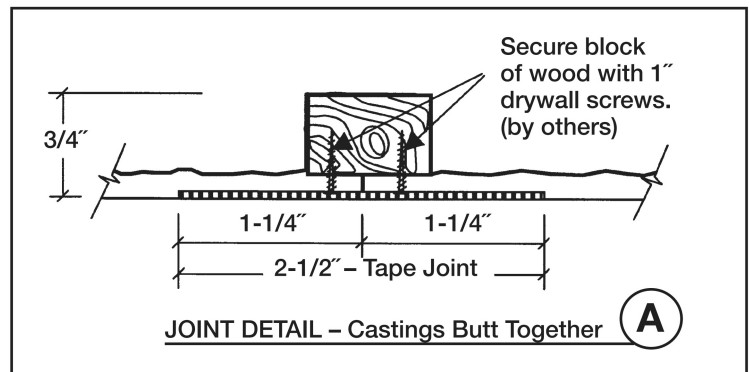


6. Make sure the blocks of wood at the casting joints do not inhibit the cove reflectors from seating properly in the casting.

7. **Cutting the Castings:** Cut the material with a "Skil"-saw with a **fine tooth diamond or a carborundum masonry blade**, for a cleaner edge at the joint.

8. Use drywall tape, joint compound and sanding to finish the joints. Paint the casting as desired.

9. If end-caps are required, they must be added in the field by others.



**NOTE:** Suggested connector is Arlington Industries "Snap-Tite" #SG50ST or equal. Particularly critical to use "snap in" style for Casting Style "E" because of size restrictions.



## Cornice Cove Lighting Component Installation:

1. The lighting component fixtures are individual units consisting of a formed reflector, sockets or LED components and ballast/driver enclosure.

2. The ballast/driver box is provided with knockouts at each end and a cover plate for easy access when wiring.

3. Run flexible conduit from fixture to fixture in the cove.

4. Fixture lighting components may be spread slightly apart to evenly distribute the lighting along the cove length. We do not recommend spreading more than 3' apart for "-10" size castings and 1' for the "-8" size.

5. Once the lighting components are wired and in their proper location, secure them in place. **Pre-drill the casting at the front edge** to align with the holes in the reflector piece. Use 1" drywall screws which are supplied to secure the fixtures at the front edge of the casting. See Section 2.

