



ENGINEERED LIGHTING PRODUCTS

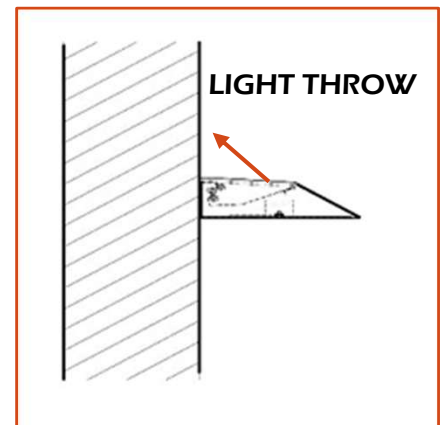
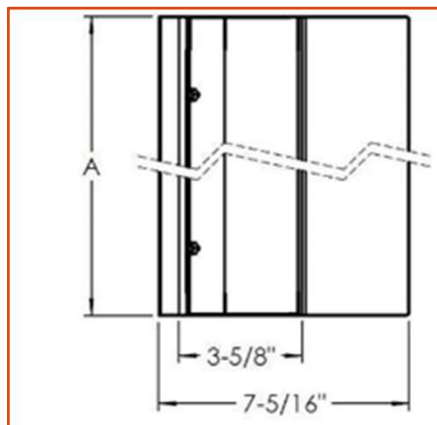
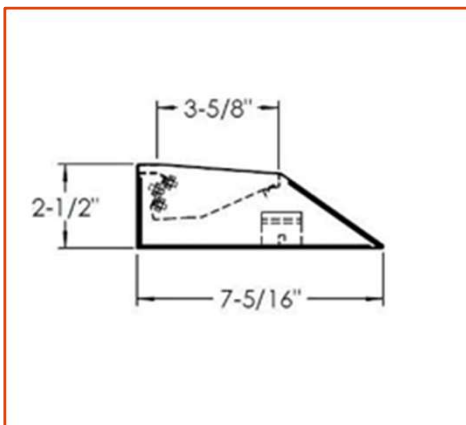


Sleek Knife Edge surface mount cove

Shallow profile LED cove fixture designed to be mounted directly to walls. Superior reflector optics minimizes shadows and projects light into the space, out-performing typical "strip light" and LED tapes.

Base Model #	"A" dim	Watts	Fixture lumens @35K
222W1CLK	24	22	2578
333W1CLK	36"	33	3868
444W1CLK	48"	44	5157
666W1CLK	72"	66	7736
888W1CLK	96"	88	10,314

Custom Sizes and Lighted Corners Available. Please Contact Factory



STANDARD FEATURES:

Driver: 120/277 0-10v EldoLed Optotronic 1% dim

Finish: Matte White Texture

Reflector: White Matte Aluminum

c/CSA/us Damp Location Listed. IC Rated

Made in the USA • U.S. Patent #9,726,337

eldoLED

5-year warranty
on LED drivers
and LED modules**AVAILABLE OPTIONS:**

DIMMING (0-10v 1% is standard) 120-277v	ADD TO MODEL NUMBER
3-wire Lutron L3D Hi-Lume 1% Ecosystem	-DM6
*2-wire phase, Lutron LTE Hi-Lume 1% (120 Volt Only) *limited stock	-DM7
Digital, Lutron LDE Hi-Lume 1% Ecosystem w/ Soft-On, Fade to Black	-DM8
DMX 512 Integral	-DMX
Dali	-DALI

0-10v PROGRAMMABLE OPTIONS	ADD TO MODEL NUMBER
End of Life Indicator (specify in hours)	-EOL
Soft Start	-SFT
Dim to Off	-DTO

LED Color Temperature (Must Specify)	ADD TO MODEL NUMBER
2700K (standard 90+ CRI)	-27K
3000K 80cri	-30K
3500K 80cri	-35K
4000K 80cri	-40K
5000K 80cri	-50K
Tunable White 27K-65K	-TW
Dim to Warm	-DTW
90+ CRI (option to add to the 30K, 35K, 40K & 50K)	-90CRI

FINISH (Matte White Texture is standard)	ADD TO MODEL NUMBER
Anti-Microbial White	-MB
Custom Color (Provide RAL#)	-CUSTOM

LENS (not required for performance)	ADD TO MODEL NUMBER
Clear Acrylic Full Lens	-FL
Frosted Acrylic Full Lens	-FLF

MISCELLANEOUS	ADD TO MODEL NUMBER
Custom Lower Lumen Output. Factory Programmed (specify in lumens)	-LL
Wireless Module	-WLMS
Surface Wall Continuous (specify run lengths)	-SWCC
Emergency Battery Power Pack (10 watts / 90 min)	-EPP



*if ordered with 90 cri option