

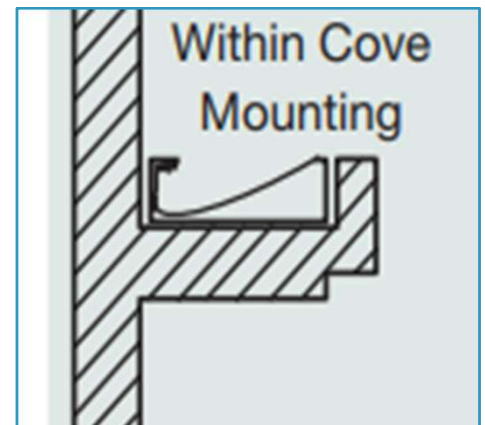
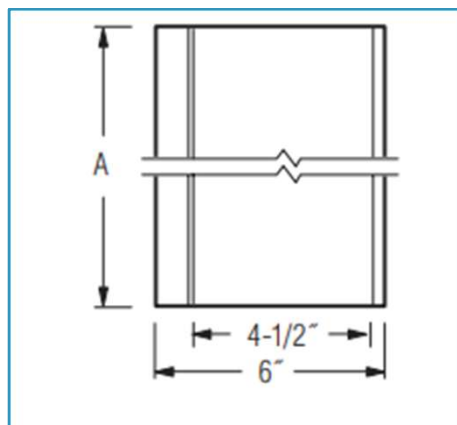
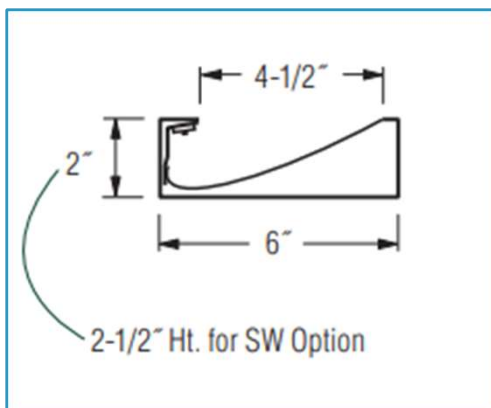


LED Low Profile Cove Light

Sleek, low profile, high-performance LED cove fixture is made to lay directly into your shallow cove shelf. The superior reflector design smoothly illuminates the cove and minimizes shadows between fixtures while projecting light out of the cove and into the space for general illumination.

Base Model #	"A" dim	Watts	Fixture lumens @35K
222W1CLLP	22-1/2"	22	2631
333W1CLLP	34-5/16"	33	3947
444W1CLLP	46-1/8"	44	5263

Custom Sizes and Lighted Corners Available. Please Contact Factory



Please specify color temperature when ordering. See options page.

STANDARD FEATURES:

Driver: 120/277 0-10v EldoLed Optotronic 1% dim

Finish: White Semi-Gloss Powder Coat

Reflector: White Matte Aluminum

c/CSA/us Damp Location Listed. IC Rated

Made in the USA • U.S. Patent #9,726,337

eldoLED

5-year warranty
on LED drivers
and LED modules

AVAILABLE OPTIONS:

DIMMING (0-10v 1% is standard) 120-277v	ADD TO MODEL NUMBER
*3-wire Lutron L3D Hi-Lume 1% Ecosystem *limited stock	-DM6
*2-wire phase, Lutron LTE Hi-Lume 1% (120 Volt Only) *limited stock	-DM7
Digital, Lutron LDE Hi-Lume 1% Ecosystem w/ Soft-On, Fade to Black	-DM8
DMX 512 Integral	-DMX
Dali	-DALI

0-10v PROGRAMMABLE OPTIONS	ADD TO MODEL NUMBER
End of Life Indicator (specify in hours)	-EOL
Soft Start	-SFT
Dim to Off	-DTO

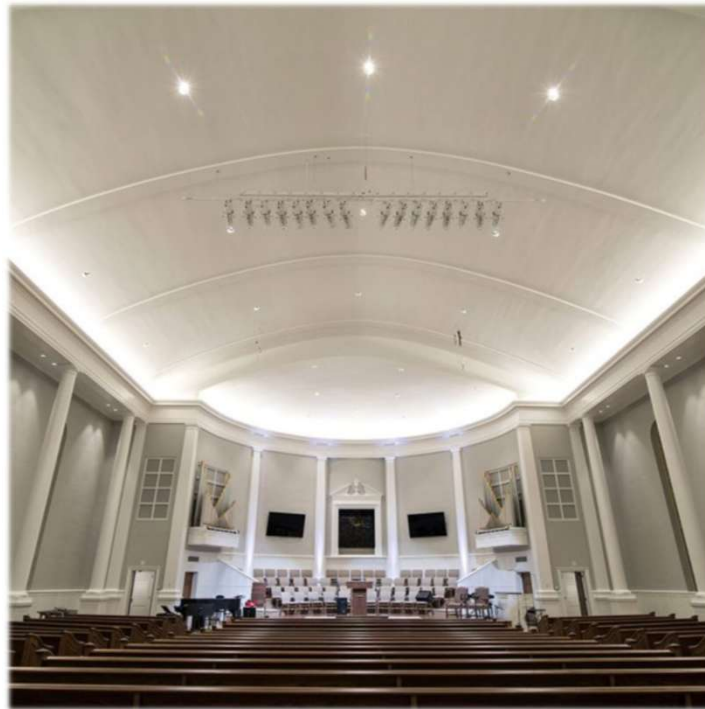
LED Color Temperature (Must Specify)	ADD TO MODEL NUMBER
2700K (standard 90+ CRI)	-27K
3000K 80cri	-30K
3500K 80cri	-35K
4000K 80cri	-40K
5000K 80cri	-50K
Tunable White	-TW
Dim to Warm	-DTW
90+ CRI (option to add to the 30K, 35K, 40K & 50K)	-90CRI

FINISH (semi-gloss white is standard)	ADD TO MODEL NUMBER
Anti-Microbial Semi-Gloss White	-MB
Custom Color (Provide RAL#)	-CUSTOM

LENS (not required for performance)	ADD TO MODEL NUMBER
Clear Acrylic Full Lens	-FL
Frosted Acrylic Full Lens	-FLF

MISCELLANEOUS	ADD TO MODEL NUMBER
Custom Lower Lumen Output. Factory Programmed (specify in lumens)	-LL
Connected Lighting Module (Wireless)	-WLMS
Surface Wall Mounted	-SW
Adjustable Height / Angle	-ADJ
Surface Wall Continuous (specify run lengths)	-SWCC

North Greenwood Baptist Church



*if ordered with 90 cri option

10768 LOWER AZUSA ROAD EL MONTE, CA 91731 PHONE: 626.579.0943 WEBSITE:
www.elighting.com

UPDATED: 2026