

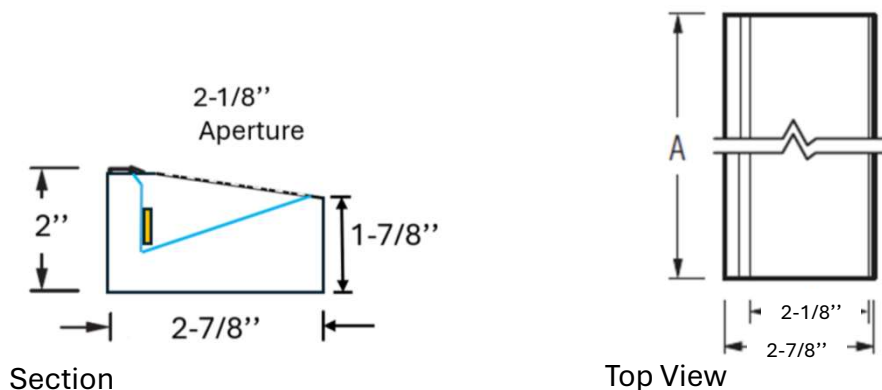


## Mini-Shallow Cove Light

Mini, high performance LED cove fixture is made to lay directly into your shallow prefabricated cove shelf. Designed to illuminate the cove and minimize shadows. By projecting light out of the cove and into the space for general illumination, they provide far superior performance than a typical “strip light”

Base Model #	“A” dim	Watts	Fixture lumens @30K
222W1CLM2-AX1	22-1/2”	22	2861
333W1CLM3-AX1	34-5/16”	33	4290
444W1CLM4-AX1	46-1/8”	44	5720
666W1CLM6-AX1	68-5/8”	66	8580
888W1CLM8-AX1	92-1/4”	88	11440

**Custom Sizes and Lighted Corners Available. Please Contact Factory**



**STANDARD FEATURES:**

Driver: 120/277 0-10v EldoLed Optotronic 1% dim

Finish: Matte White Texture

Reflector: White Matte Aluminum

c/CSA/us Damp Location Listed. IC Rated

Made in the USA • U.S. Patent #9,726,337

eldoLED

5-year warranty  
on LED drivers  
and LED modules**AVAILABLE OPTIONS:**

<b>DIMMING (0-10v 1% is standard) 120-277v</b>	<b>ADD TO MODEL NUMBER</b>
3-wire Lutron L3D Hi-Lume 1% Ecosystem	-DM6
*2-wire phase, Lutron LTE Hi-Lume 1% (120 Volt Only) *limited stock	-DM7
Digital, Lutron LDE Hi-Lume 1% Ecosystem w/ Soft-On, Fade to Black	-DM8
DMX 512 Integral	-DMX
Dali	-DALI

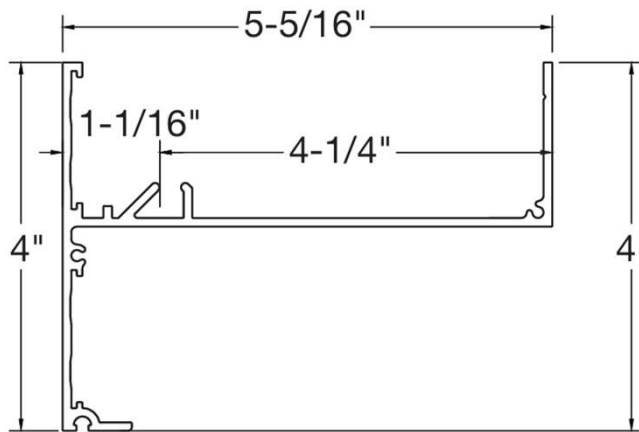
<b>0-10v PROGRAMMABLE OPTIONS</b>	<b>ADD TO MODEL NUMBER</b>
End of Life Indicator (specify in hours)	-EOL
Soft Start	-SFT
Dim to Off	-DTO

<b>LED Color Temperature (Must Specify)</b>	<b>ADD TO MODEL NUMBER</b>
2700K (standard 90+ CRI)	-27K
3000K 80cri	-30K
3500K 80cri	-35K
4000K 80cri	-40K
5000K 80cri	-50K
90+ CRI (option to add to the 30K, 35K, 40K & 50K)	-90CRI
Tunable White	-TW
Dim to Warm	-DTW

<b>FINISH (Matte White Texture is standard)</b>	<b>ADD TO MODEL NUMBER</b>
Anti-Microbial White	-MB
Custom Color (Provide RAL#)	-CUSTOM

LENS (not required for performance)	ADD TO MODEL NUMBER
Clear Acrylic Full Lens	-FL
Frosted Acrylic Full Lens	-FLF

MISCELLANEOUS	ADD TO MODEL NUMBER
Custom Lower Lumen Output. Factory Programmed (specify in lumens)	-LL
Connected Lighting Module (Wireless)	-WLMS
Surface Wall Continuous (specify run lengths)	-SWCC
Emergency Battery Power Pack (10 watts / 90 min)	-EPP



**Designed to fit AXIFLCW4 extrusion cove profile**

c/CSA/us Damp Location Listed – Made in the USA



\*if ordered with 90 cri option