

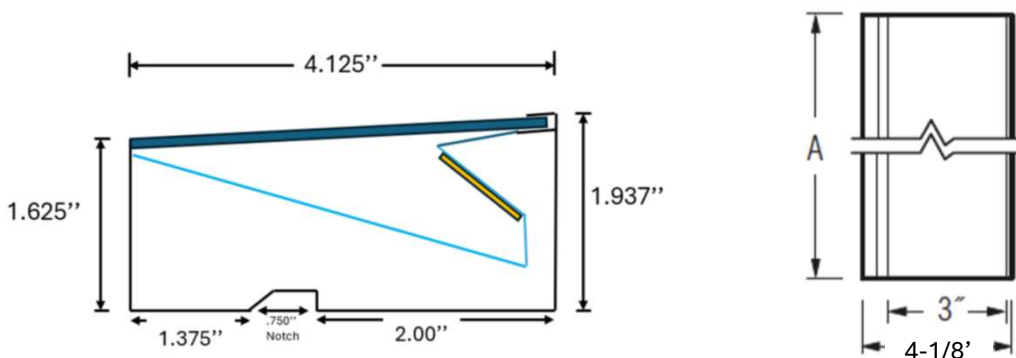


Mini-Shallow Cove Light

Mini, high performance LED cove fixture is made to lay directly into your shallow prefabricated cove shelf. Notched bottom to fit over existing extruded "AX" channel. Designed to illuminate the cove and minimize shadows. By projecting light out of the cove and into the space for general illumination, they provide far superior performance than a typical "strip light"

Base Model #	"A" dim	Watts	Fixture lumens @30K
222W1CLM2-AX2	22-1/2"	22	2861
333W1CLM3-AX2	34-5/16"	33	4290
444W1CLM4-AX2	46-1/8"	44	5720
666W1CLM6-AX2	68-5/8"	66	8580
888W1CLM8-AX2	92-1/4"	88	11440

Custom Sizes and Lighted Corners Available. Please Contact Factory



STANDARD FEATURES:

Driver: 120/277 0-10v EldoLed Optotronic 1% dim

Finish: Matte White Texture

Reflector: White Matte Aluminum

c/CSA/us Damp Location Listed. IC Rated

Made in the USA • U.S. Patent #9,726,337

eldoLED

5-year warranty
on LED drivers
and LED modules**AVAILABLE OPTIONS:**

DIMMING (0-10v 1% is standard) 120-277v	ADD TO MODEL NUMBER
*3-wire Lutron L3D Hi-Lume 1% Ecosystem *limited stock	-DM6
*2-wire phase, Lutron LTE Hi-Lume 1% (120 Volt Only) *limited stock	-DM7
Digital, Lutron LDE Hi-Lume 1% Ecosystem w/ Soft-On, Fade to Black	-DM8
DMX 512 Integral	-DMX
Dali	-DALI

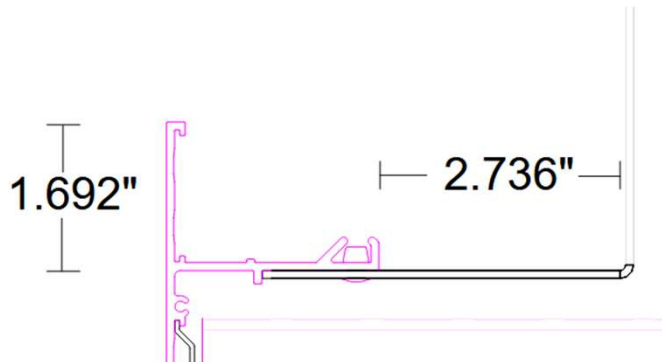
0-10v PROGRAMMABLE OPTIONS	ADD TO MODEL NUMBER
End of Life Indicator (specify in hours)	-EOL
Soft Start	-SFT
Dim to Off	-DTO

LED Color Temperature (Must Specify)	ADD TO MODEL NUMBER
2700K (standard 90+ CRI)	-27K
3000K 80cri	-30K
3500K 80cri	-35K
4000K 80cri	-40K
5000K 80cri	-50K
90+ CRI (option to add to the 30K, 35K, 40K & 50K)	-90CRI
Tunable White	-TW
Dim to Warm	-DTW

FINISH (Matte White Texture is standard)	ADD TO MODEL NUMBER
Anti-Microbial White	-MB
Custom Color (Provide RAL#)	-CUSTOM

LENS (not required for performance)	ADD TO MODEL NUMBER
Clear Acrylic Full Lens	-FL
Frosted Acrylic Full Lens	-FLF

MISCELLANEOUS	ADD TO MODEL NUMBER
Custom Lower Lumen Output. Factory Programmed (specify in lumens)	-LL
Connected Lighting Module (Wireless)	-WLMS
Emergency Battery Power Pack (10 watts / 90 min)	-EPP



Designed to fit AXIDLCC4812 extrusion cove profile

c/CSA/us Damp Location Listed – Made in the USA



*if ordered with 90 cri option