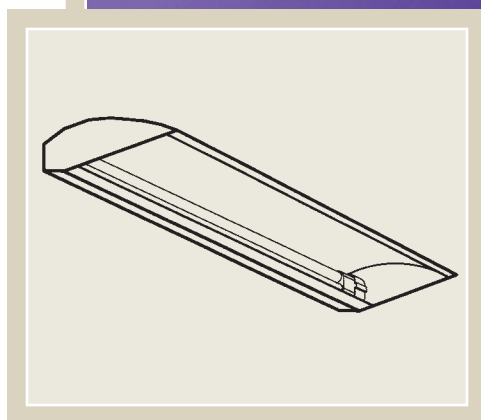
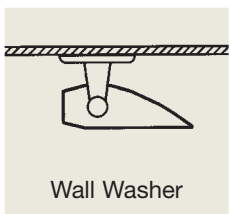
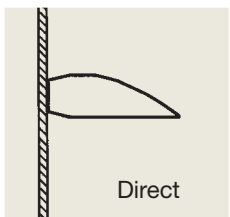
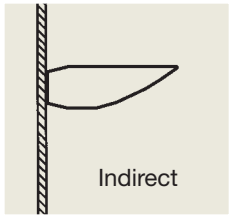


## ELP

ENGINEERED LIGHTING  
PRODUCTS

SURFACE/PENDENT Mount Wall Wash



*Ideal placement is 24" to 36" from the front edge of fixture to the surface you are lighting, at 8' to 10' height.*

### System

Streamline wall wash fixtures with integral ballasts that utilize fluorescent lamps. Numerous mounting styles are available to provide wall wash or indirect lighting and may be ordered in fixed or adjustable models. Formed, high purity aluminum reflectors provide even, unscaloped illumination.



TYPE:  
 CATALOG #:  
 JOB:

SURFACE/PENDENT Mount Wall Wash

## Specifications

“Aileron” fluorescent wall washer fixture for use with linear T-5, T-8 or the 40, 50 or 55 watt Biax lamps. Several mounting options offer complete adjustability.

The fixture is extruded aluminum that is TGIC polyester powder coated. The one-piece, formed reflector is high-purity aluminum (99.9%) with 95% reflectance. Design provides even unscaloped illumination with no glare and offers exceptional lamp shielding from the normal viewing angle. It is easily removable without tools for access to the integral ballast and wiring.

All fluorescent fixtures are supplied standard with Luminaire Disconnect.

**Continuous Mount** – If fixtures are being mounted in a continuous row, add “CC” to the catalog number and provide row configuration, i.e.: (18) 450BXWW-A9-WD-CC for (6) 24’ rows.

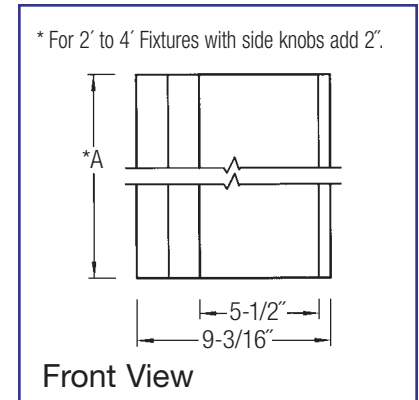
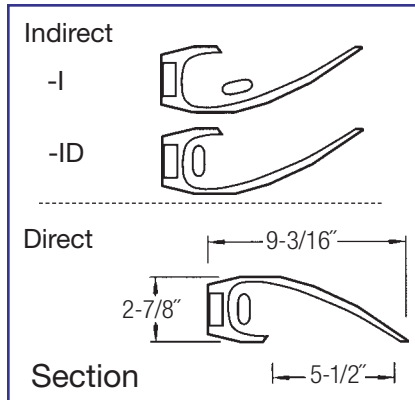
Knock-outs will be provided between continuous fixtures for through wiring.

UL/CUL Damp Location listed.

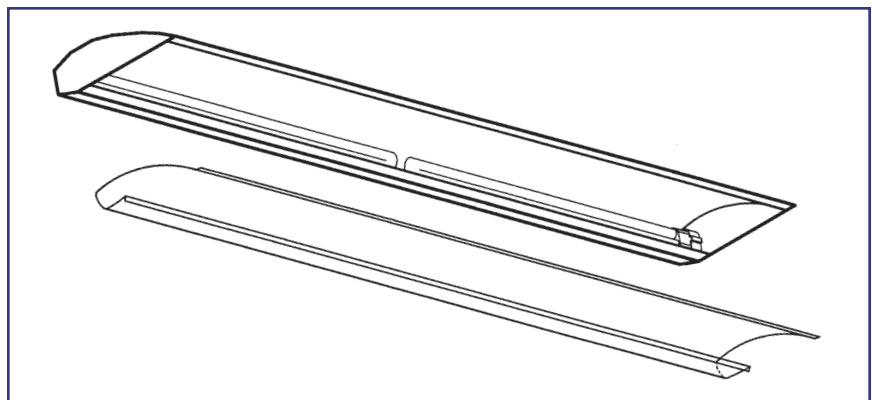
**U.S. Patent #5,142,459**

## Options

- Ballast 120 or 277 HPF Electronic (Standard)  
 Dimming (Some models) -DM  
 Emergency (Some models) -EPP
- Finish White (Standard)  
 Black -B  
 Custom -Custom
- Reflectors Diffuse Silver (Standard)  
 White -W
- Lens Clear Lexan Mini Lens -ML  
 Frosted Lexan Mini Lens -MLF  
 Clear Lexan Full Lens -FL  
 Frosted Lexan Full Lens -FLF
- Louver Diffuse Silver Parallel Blade -LV
- Mounting **Must be Specified**  
 Continuous Row (see above) -CC



Model No.	*A	Lamp
140 BXWW-A9	24-1/4"	40 watt Biax
150 BXWW-A9	24-1/4"	50 watt Biax
155 BXWW-A9	24-1/4"	55 watt Biax
240 BXWW-A9	48-1/4"	(2) 40 watt Biax
250 BXWW-A9	48-1/4"	(2) 50 watt Biax
255 BXWW-A9	48-1/4"	(2) 55 watt Biax
440 BXWW-A9	96-1/2"	(4) 40 watt Biax
450 BXWW-A9	96-1/2"	(4) 50 watt Biax
455 BXWW-A9	96-1/2"	(4) 55 watt Biax
114 T-5WW-A9	24-1/4"	14 watt T-5
124 T-5WW-A9	24-1/4"	24 watt T-5 HO
121 T-5WW-A9	36-1/4"	21 watt T-5
139 T-5WW-A9	36-1/4"	39 watt T-5 HO
128 T-5WW-A9	48-1/4"	28 watt T-5
154 T-5WW-A9	48-1/4"	54 watt T-5 HO
228 T-5WW-A9	96-1/2"	(2) 28 watt T-5
254 T-5WW-A9	96-1/2"	(2) 54 watt T-5 HO
117 T-8WW-A9	24-1/4"	17 watt T-8
125 T-8WW-A9	36-1/4"	25 watt T-8
132 T-8WW-A9	48-1/4"	32 watt T-8
232 T-8WW-A9	96-1/2"	(2) 32 watt T-8





# AILERON MOUNTING

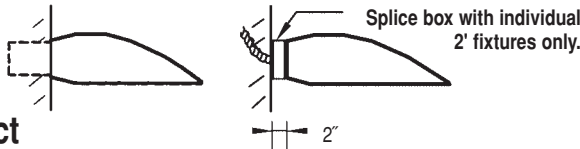
## A9 SERIES

Mounting must be specified.



### WALL MOUNT

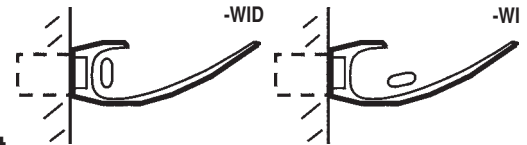
Direct & Indirect fixtures mount directly to a horizontal single gang switchbox. Square canopy adapter is available for mounting to a 4" x 4" junction box (add **-C4**). Only individual 2' fixtures are supplied with a mounting splice box.



**Direct**

**Ordering:** Add **-WD** to catalog number  
Add **-WD-W** (White reflector if you want light splash on wall)

Sample: **240BXWW-A9-WD**



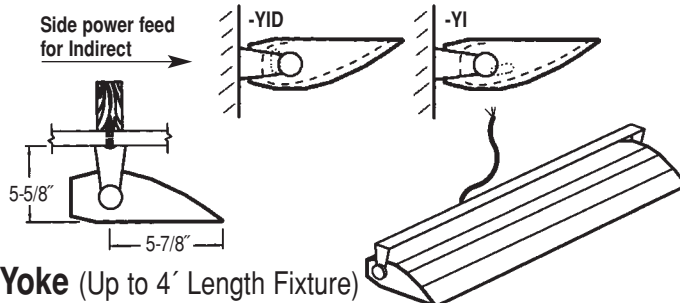
**Indirect**

**Ordering:** Add **-WI** or **-WID** to catalog number  
Add **-WI-W** (White reflector if you want more light splash on wall)

Sample: **440BXWW-A9-WI-W**

### YOKE MOUNT

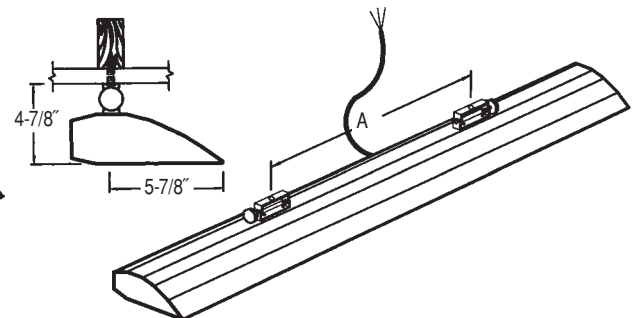
The yoke mounts directly to the ceiling or structure using drywall bolts or screws (by others). Adjustable knobs allow versatile aiming.



**Yoke** (Up to 4' Length Fixture)

**Ordering:** Add **-Y** to catalog number (**-YI** or **-YID** for Indirect)  
Add **-Y-W** (White reflector if you want more light splash on wall) (**-YI-W** for Indirect)

Sample: **240BXWW-A9-Y**



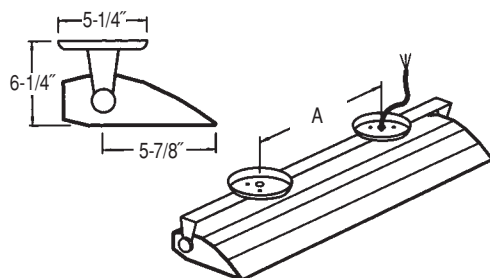
**Yoke** (8' Length Fixture)

**Ordering:** Add **-MY** to catalog number

Sample: **440BXWW-A9-MY**

### CANOPY MOUNT

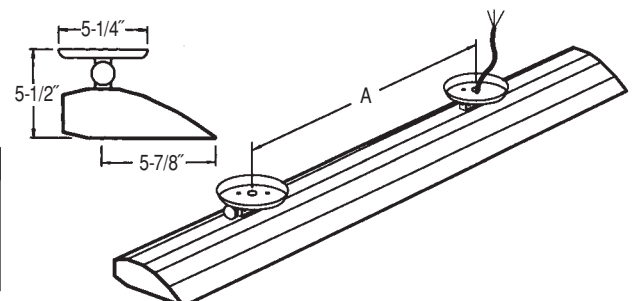
Supplied with hardware to mount directly to a J-Box. The 2', 3', 4' and 8' fixtures are supplied with two canopies.



**Canopy** (Up to 4' Length Fixture)

**Ordering:** Add **-CY** to catalog number

Sample: **240BXWW-A9-CY**



**Canopy** (8' Length Fixture)

**Ordering:** Add **-CMY** to catalog number

Sample: **440BXWW-A9-CMY**

Fixture Length	A
2' Fixture	18"
3' Fixture	24"
4' Fixture	24"
8' Fixture	48"

# AILERON MOUNTING

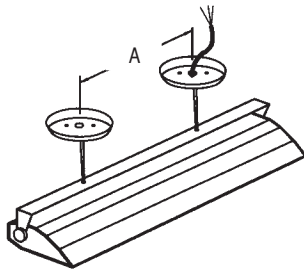
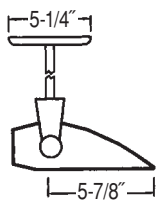
## A9 SERIES

Mounting must be specified.

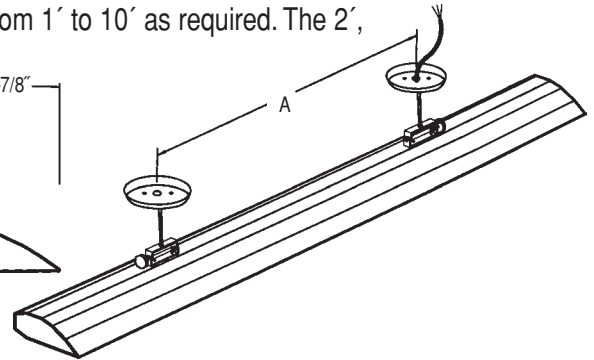
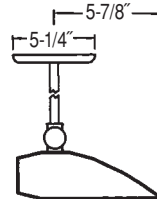


### CANOPY & STEM

Supplied with hardware to mount directly to a J-Box. Stems provided from 1' to 10' as required. The 2', 3', 4' & 8' fixtures are provided with two.



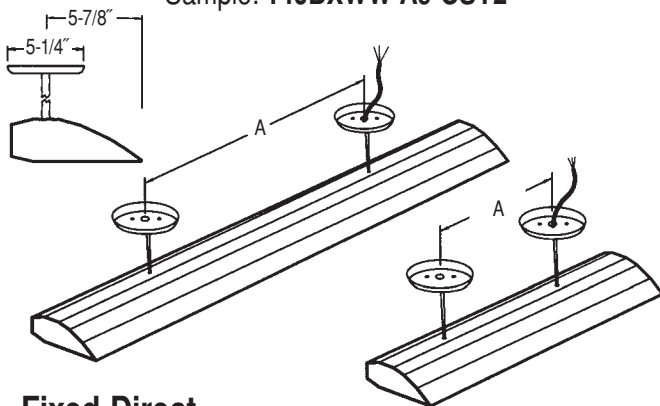
Fixture Length	A
2' Fixture	18"
3' Fixture	24"
4' Fixture	24"
8' Fixture	48"



#### Adjustable (Up to 4' Length Fixture)

Ordering: Add **-CSY** (stem length required)

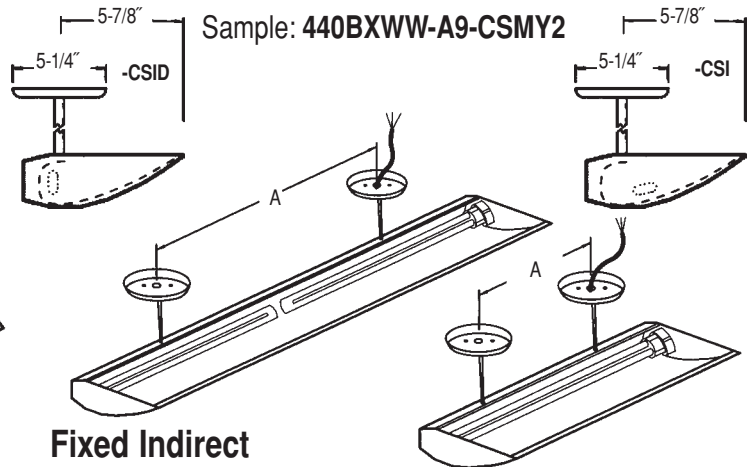
Sample: **140BXWW-A9-CSY2**



#### Adjustable (8' Length Fixture)

Ordering: Add **-CSMY** (stem length required)

Sample: **440BXWW-A9-CSMY2**



#### Fixed Direct

Ordering: Add **-CS** (stem length required)

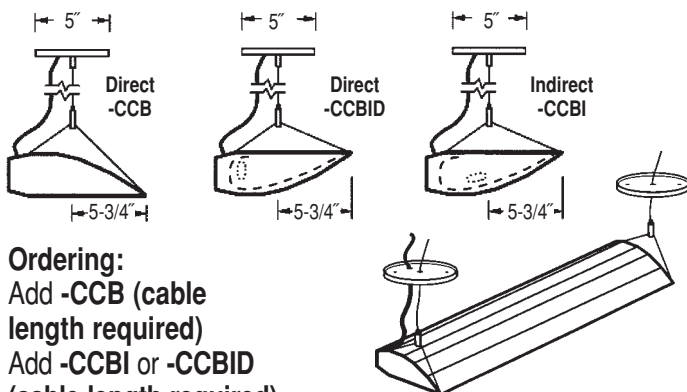
Sample: **240BXWW-A9-CS2**

#### Fixed Indirect

Ordering: Add **-CSI** or **-CSID** (stem length required)

Sample: **240BXWW-A9-CSI2**

### CANOPY CABLE MOUNT

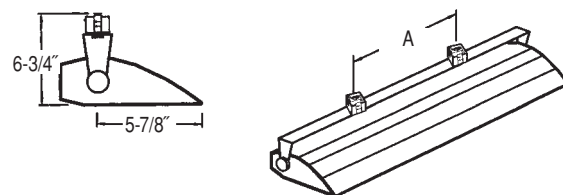


Ordering:  
Add **-CCB** (cable length required)  
Add **-CCBI** or **-CCBID** (cable length required)

Sample: **140BXWW-A9-CCB8**

### TRACK MOUNT

Adapters can be supplied for Con-Tech track, which is U.L. compatible with Juno. For all other track, adapters must be supplied by others. All 2', 3' & 4' fixtures provided with two.



Track (Up to 4' Only)

Ordering: Add **-TK** to catalog number

Sample: **140BXWW-A9-TK**